

Part List

- **LT330HST**
- **LT360HST**

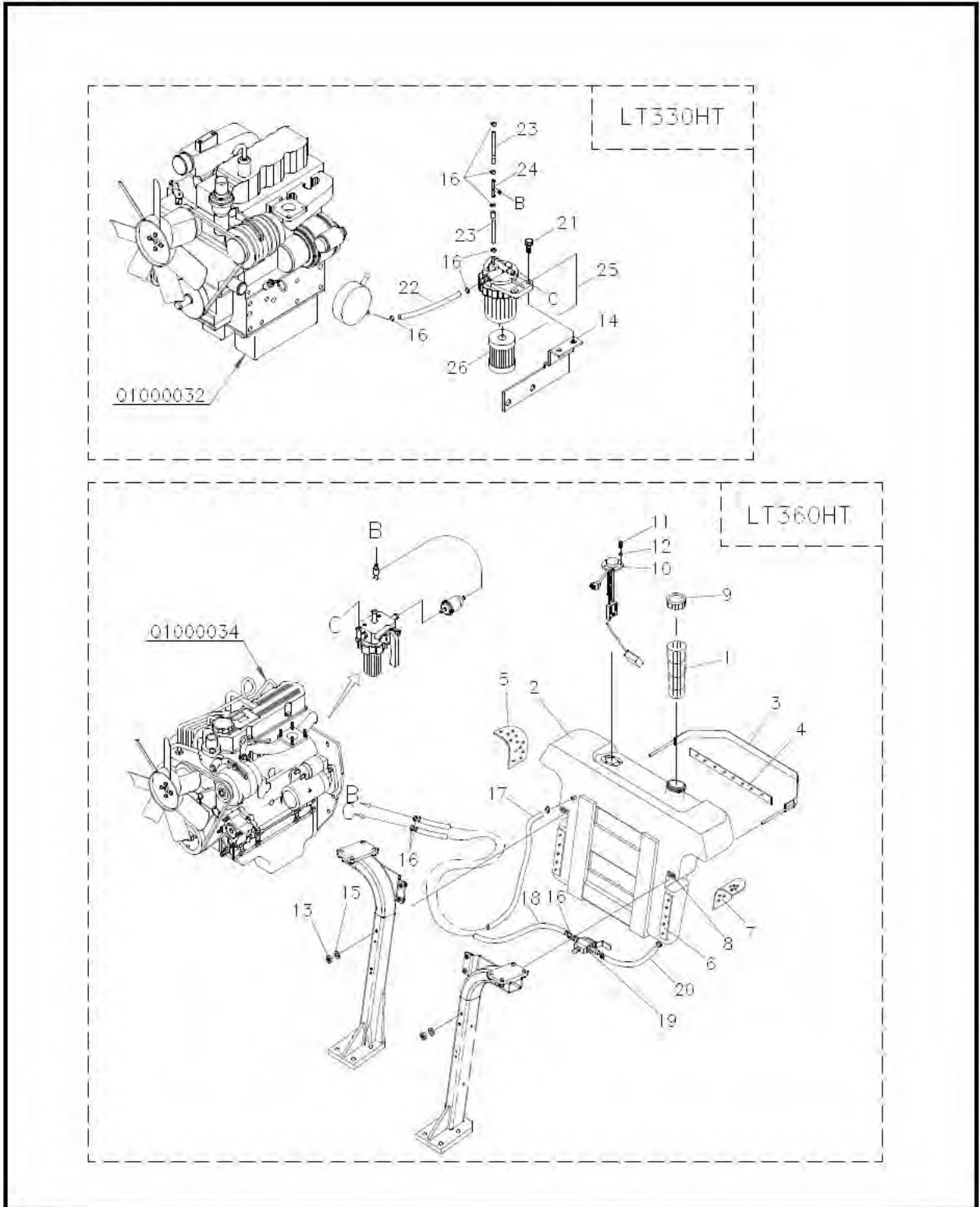
FUEL SYSTEM(040)

FIG. 2-1

KEY NO.	PART NO.	PART NAME & DESCRIPTION		MODEL & QTY		APPLI. NO.	REMARK
				330HT	360HT		
1-12	A1040139	FUEL TANK ASSY		1	1		
1	A1040052	STRAINER, FUEL TANK		1	1		
2	A1040085	TANK, FUEL		1	1		
3	A1040086	BAND, FUEL TANK		1	1		
4	A1040088	SPONGE		1	1		
5	A1040089	SPONGE(RH)		1	1		
6	A1040090	SPONGE		2	2		
7	A1040093	SPONGE(LH)		1	1		
8	A1040133	SPONGE		2	2		
9	A1040111	CAP ASSY, FUEL		1	1		
10	A1750176	GAUGE, FUEL		1	1		
11	S153051613	SCREW	M5x0.8x16L	5	5		
12	A1877079	NUT, LOCK	M8x1.25	2	2		
13	A1040214	BRACKET, FUEL FILTER		1	*		
14	S365082013	WASHER, PLN	Φ8.4xΦ20x1.6t	2	2		
15	A1970380	CLAMP, HOSE		12	6		
16	A1040075	HOSE, FUEL		*	1		
	A1040097	HOSE, FUEL		1	*		
17	A1040104	HOSE, FUEL SUCTION		1	1		
18	A1040127	COCK, FUEL TANK		1	1		
19	A1040205	HOSE, FUEL FILTER		1	1		
20	S155082033	BOLT, HEX		2	*		
21	Q1250013	HOSE, FILTER		1	*		
22	A1040207	HOSE, FUEL		2	*		
23	A5001561	DISTRIBUTION NIPPLE		1	*		
24	A1040208	FUEL FILTER ASSY		1	*		
25	A1040209	ELEMENT, FUEL FILTER		1	*		

FUEL SYSTEM(040)

FIG. 2-1



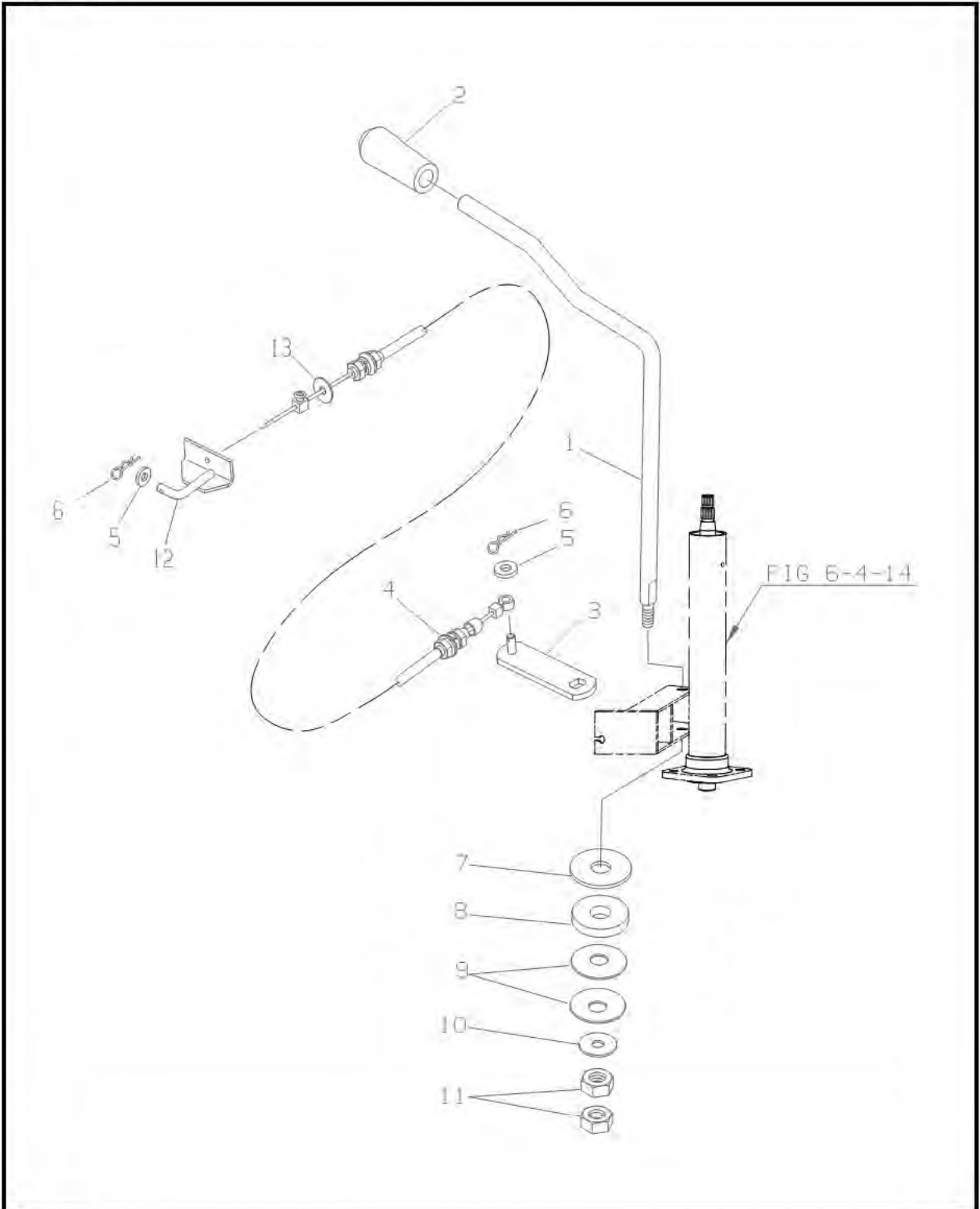
FUEL SYSTEM(040)

FIG. 2-1

KEY NO.	PART NO.	PART NAME & DESCRIPTION	MODEL & QTY		APPLI. NO.	REMARK
			330HT	360HT		
1-12	A1040139	FUEL TANK ASSY	1	1		
1	A1040052	STRAINER, FUEL TANK	1	1		
2	A1040085	TANK, FUEL	1	1		
3	A1040086	BAND, FUEL TANK	1	1		
4	A1040088	SPONGE	1	1		
5	A1040089	SPONGE(RH)	1	1		
6	A1040090	SPONGE	2	2		
7	A1040093	SPONGE(LH)	1	1		
8	A1040133	SPONGE	2	2		
9	A1040111	CAP ASSY, FUEL	1	1		
10	A1750176	GAUGE, FUEL	1	1		
11	S222501011	SCREW	5	5		M5x0.8x10L
12	S361050013	WASHER, SPR	5	5		Φ5.1xΦ9.2x1.3t
13	A1877079	NUT, LOCK	2	2		M8x1.25
14	A1040214	BRACKET, FUEL FILTER	1	0		
15	S365082013	WASHER, PLN	2	2		Φ8.4xΦ20x1.6t
16	A1970310	CLAMP, HOSE	12	6		
17	A1040075	HOSE, FUEL	0	1		
	A1040097	HOSE, FUEL	1	0		
18	A1040104	HOSE, FUEL SUCTION	1	1		
19	A1040127	COCK, FUEL TANK	1	1		
20	A1040205	HOSE, FUEL FILTER	1	1		
21	S155082033	BOLT, HEX	2	0		
22	A1040206	HOSE, FILTER	1	0		
23	A1040207	HOSE, FUEL	2	0		
24	A5001561	DISTRIBUTION NIPPLE	1	0		
25	A1040208	FUEL FILTER ASSY	1	0		
26	A1040209	ELEMENT, FUEL FILTER	1	0		

ENGINE CONTROL(100)

FIG. 2-2



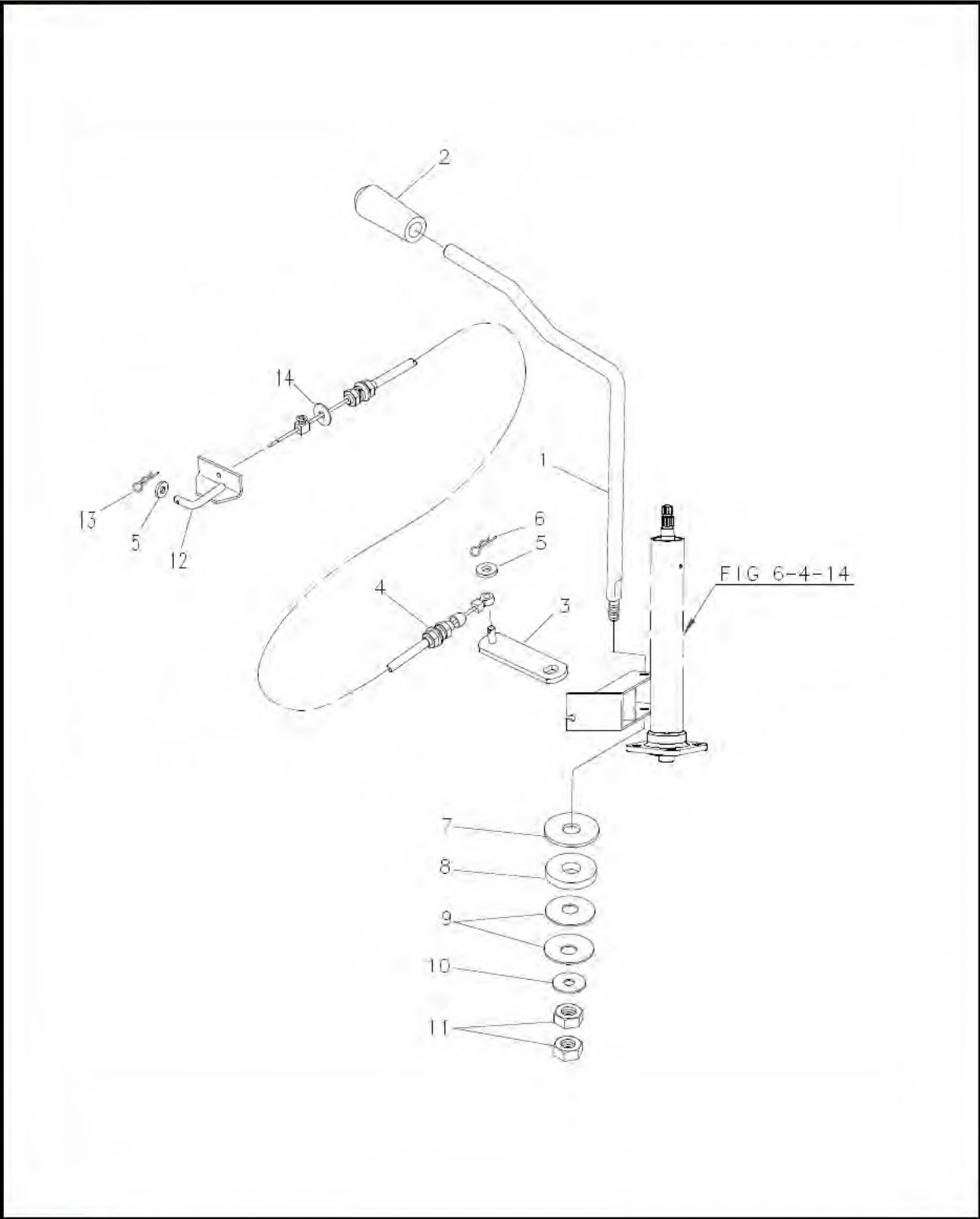
ENGINE CONTROL(100)

FIG. 2-2

KEY NO.	PART NO.	PART NAME & DESCRIPTION	MODEL & QTY		APPLI. NO.	REMARK
			330HT	360HT		
1	A1100052	LEVER, ENG. ACCELERATOR	1	1		
2	A0710037	GRIP	1	1		
3	A1100076	ARM, ENGINE CONTROL	1	1		
4	A1100054	WIRE, ACCELERATOR LEVER	*	1		
	A1100105	WIRE, ACCELERATOR LEVER	1	*		
5	A1970286	WASHER, PLASTIC	2	2		
6	S443060013	PIN, SNAP	1	2		
7	A1100058	PLATE, FRICTION	1	1		
8	S364120013	WASHER, PLAIN	1	1		
9	S373120023	SPRING, PLATE	2	2		
10	S364080013	WASHER, PLAIN	1	1		
11	S313080013	NUT, HEX	2	2		
12	A1100059	ROD, E/G CONTROL	*	1		
13	S365051613	WASHER	*	1		

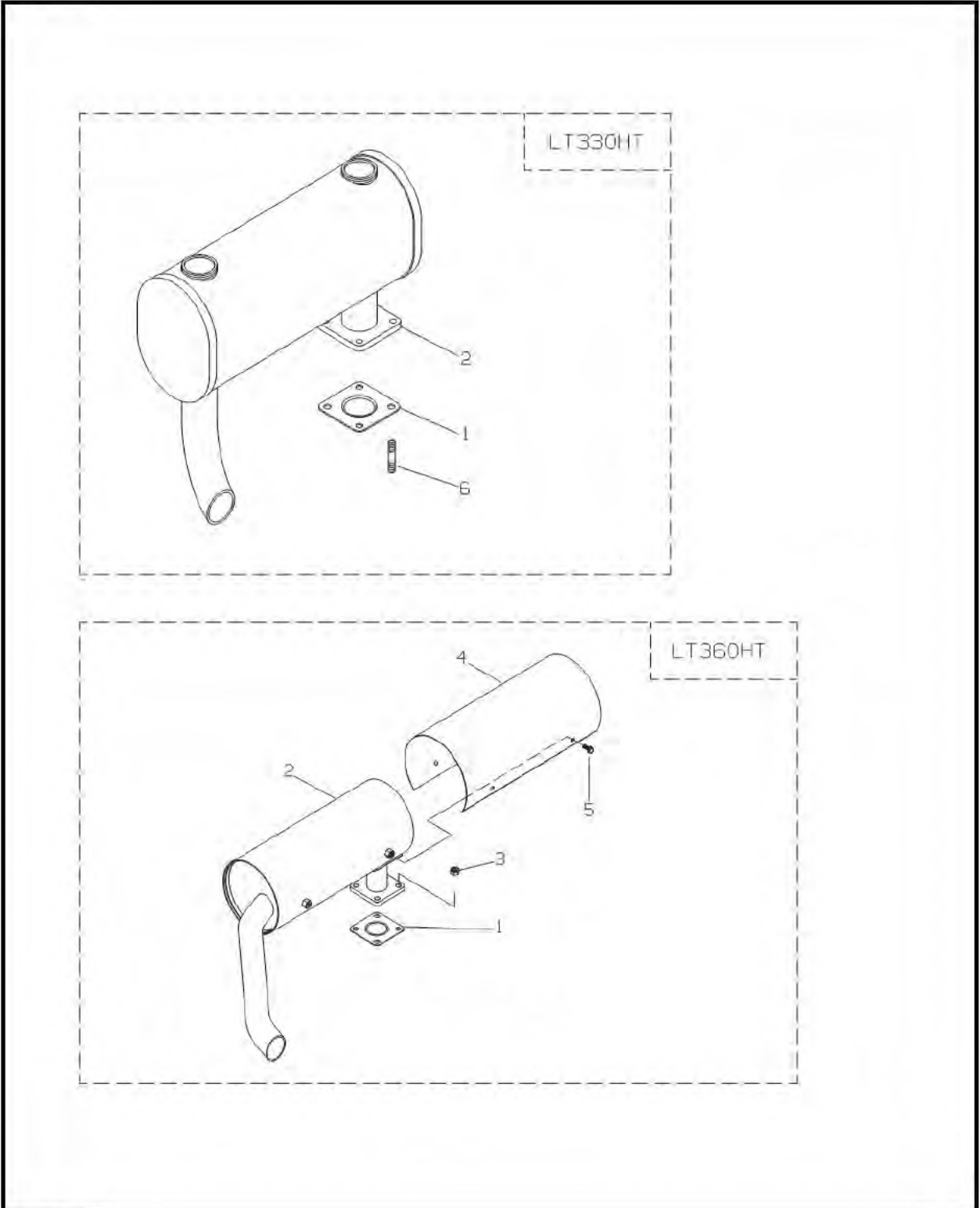
ENGINE CONTROL(100)

FIG. 2-2



MUFFLER(150)

FIG. 2-3



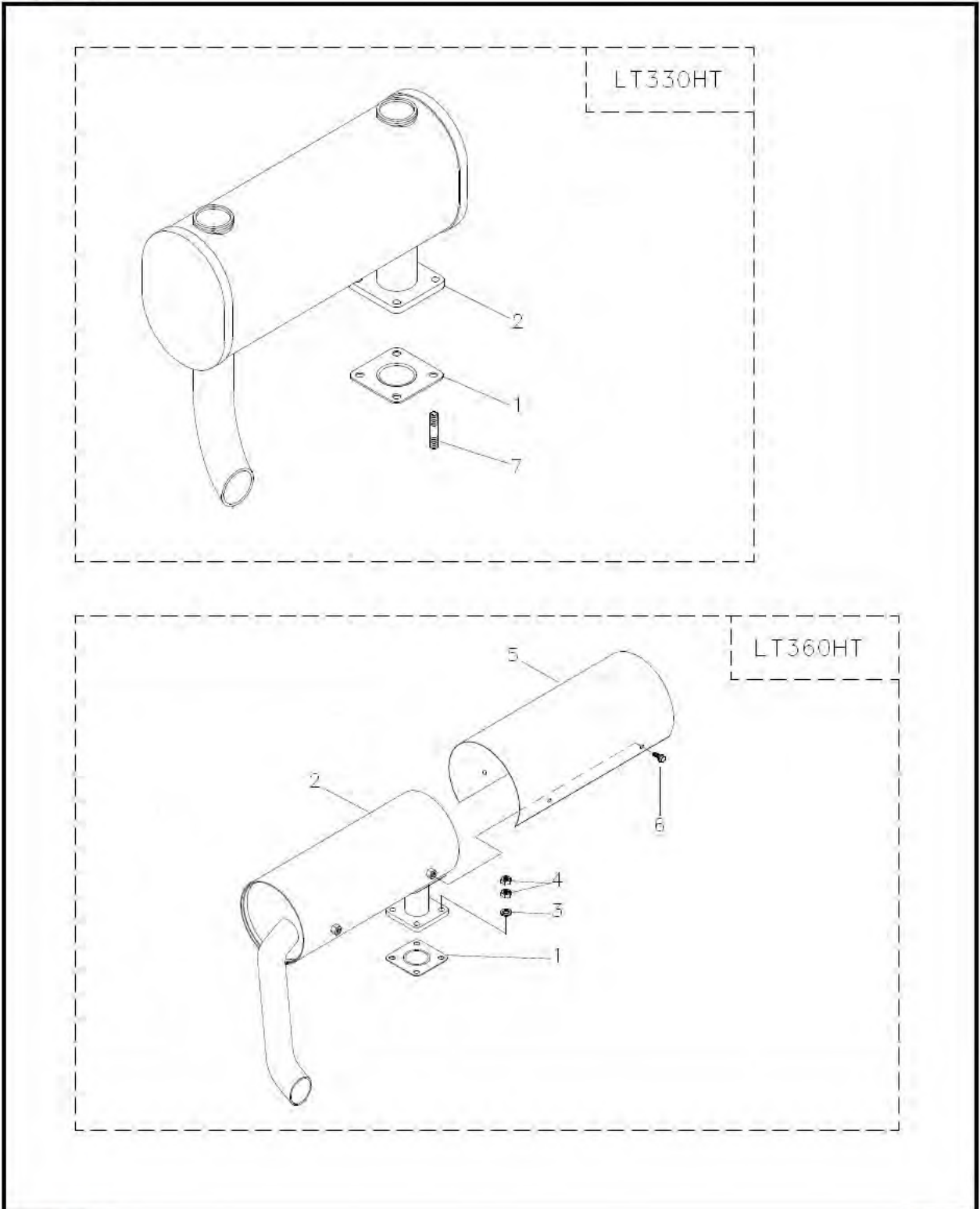
MUFFLER(150)

FIG. 2-3

KEY NO.	PART NO.	PART NAME & DESCRIPTION		MODEL & QTY		APPLI. NO.	REMARK
				330HT	360HT		
1	A1151101	GASKET, MUFFLER		*	1		
	A1151125	GASKET, MUFFLER		1	*		
2	A1151140	MUFFLER		*	1		
	A1151124	MUFFLER		1	*		
3	S345080013	NUT, HEX. FLANGE	M8x1.25	4	4		
4	A1151103	COVER, MUFFLER		*	1		
5	S159061233	BOLT, HEX. W/WASHER	M6x1.0x12L	*	4		
6	S139082523	BOLT, STUD	M8x1.25	4	*		

MUFFLER(150)

FIG. 2-3



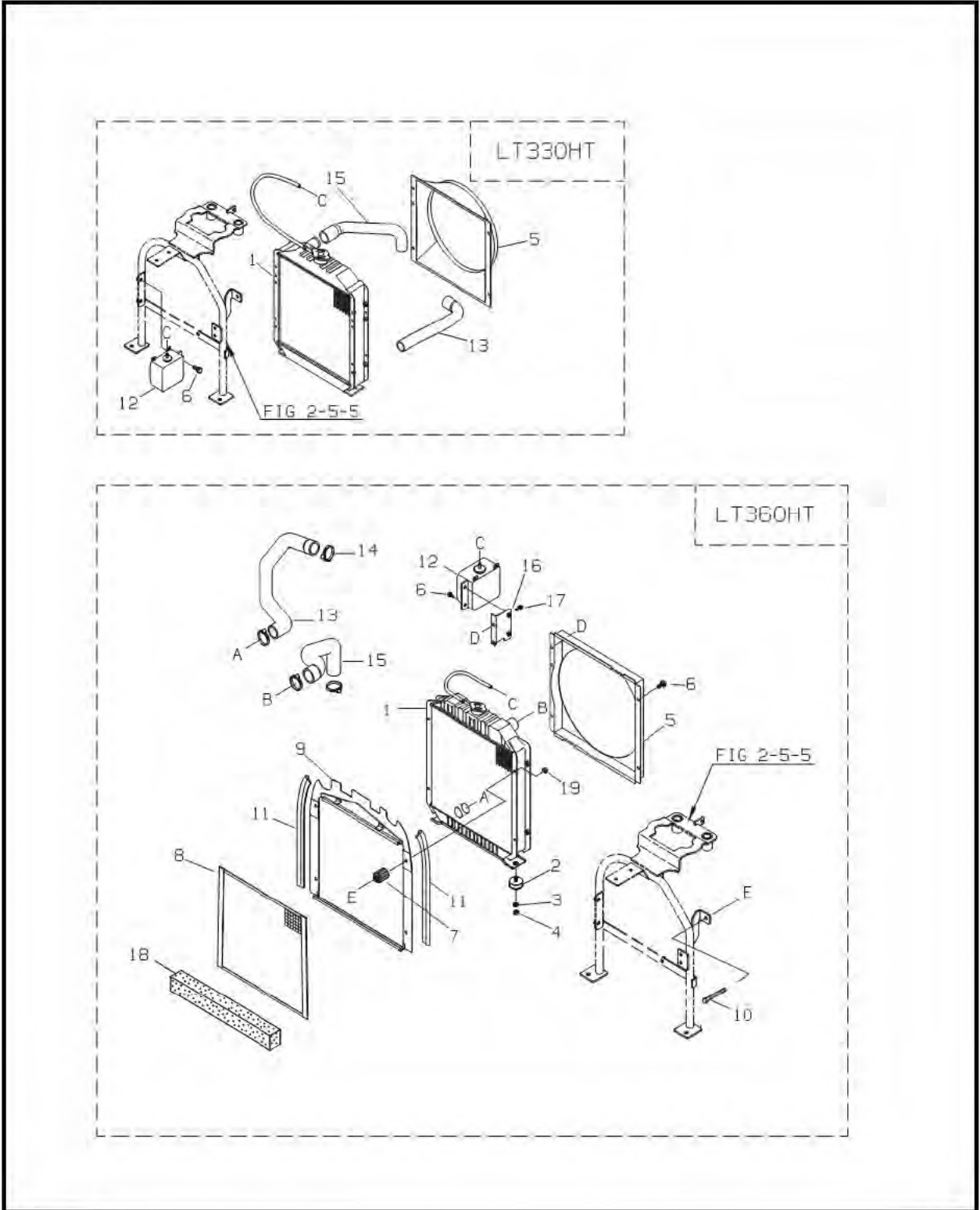
MUFFLER(150)

FIG. 2-3

KEY NO.	PART NO.	PART NAME & DESCRIPTION		MODEL & QTY		APPLI. NO.	REMARK
				330HT	360HT		
1	A1151101	GASKET, MUFFLER		*	1		
	A1151125	GASKET, MUFFLER		1	*		
2	A1151102	MUFFLER		*	1		
	A1151124	MUFFLER		1	*		
3	S345080013	NUT, HEX. FLANGE	M8x1.25	4	4		
4	A1151103	COVER, MUFFLER		*	1		
5	S159061233	BOLT, HEX. W/WASHER	M6x1.0x12L	*	4		
6	S139082523	BOLT, STUD	M8x1.25	4	*		

RADIATOR(170)

FIG. 2-4



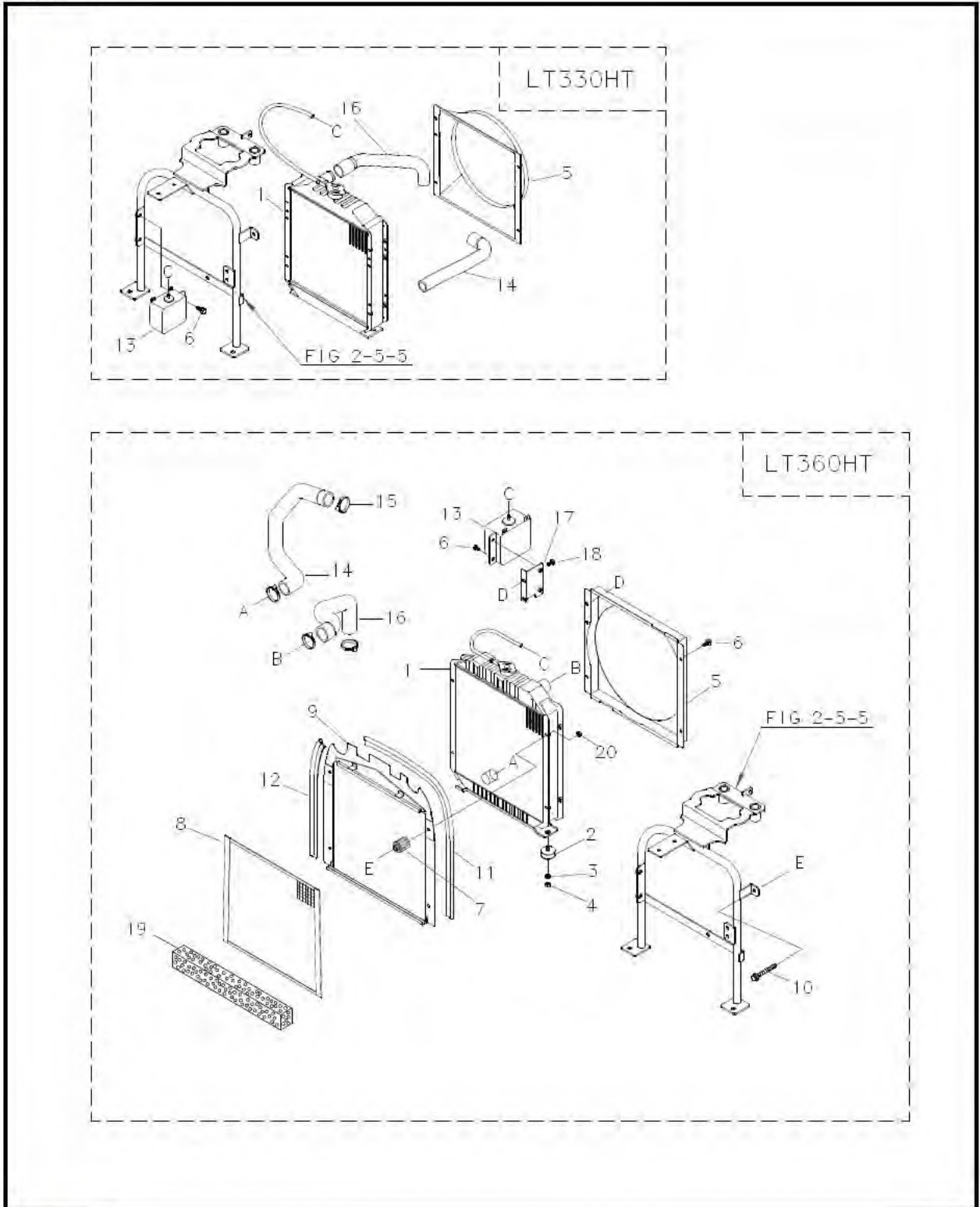
RADIATOR(170)

FIG. 2-4

KEY NO.	PART NO.	PART NAME & DESCRIPTION		MODEL & QTY		APPLI. NO.	REMARK
				330HT	360HT		
1	A1170076	RADIATOR		*	1		
	A1170223	RADIATOR		1	*		
2	A1970360	RUBBER, DAMP MOUNT		2	2		
3	S361100013	WASHER, SPRING	Φ10.2xΦ18.4x2.5t	2	2		
4	S302100013	NUT, HEX.	M10x1.25	2	2		
5	A1170192	SHROUD, FAN		*	1		
	A1170196	SHROUD, FAN		1	*		
6	S155082033	BOLT, HEX. W/WASHER	M8x1.25x20L	6	7		
7	A1970258	RUBBER, CUSHION		1	1		
8	A1170221	NET SCREEN, RADIATOR		1	1		
9	A1170224	PALTE, RADIATOR		1	1		
10	S105086533	BOLT, HEX	M8x1.25x65L	1	1		
11	A1170095	STRIP, WEATHER		2	2		
12	A1170031	TANK, RESERVOR		1	1		
13	A1170082	HOSE, OUTLET		*	1		
	A1170195	HOSE, WATER LOWER		1	*		
14	A1970201G	CLAMP, HOSE		4	4		
15	A1170083	HOSE, INLET		*	1		
	A1170191	HOSE, WATER UPPER		1	*		
16	A1170099	PLATE		*	1		
17	S155082033	BOLT, HEX. W/WASHER	M8x1.25x20L	*	2		
18	A1170102	SEAL, RADIATOR AIR		1	1		
19	S311080013	NUT	M8x1.25	1	1		

RADIATOR(170)

FIG. 2-4



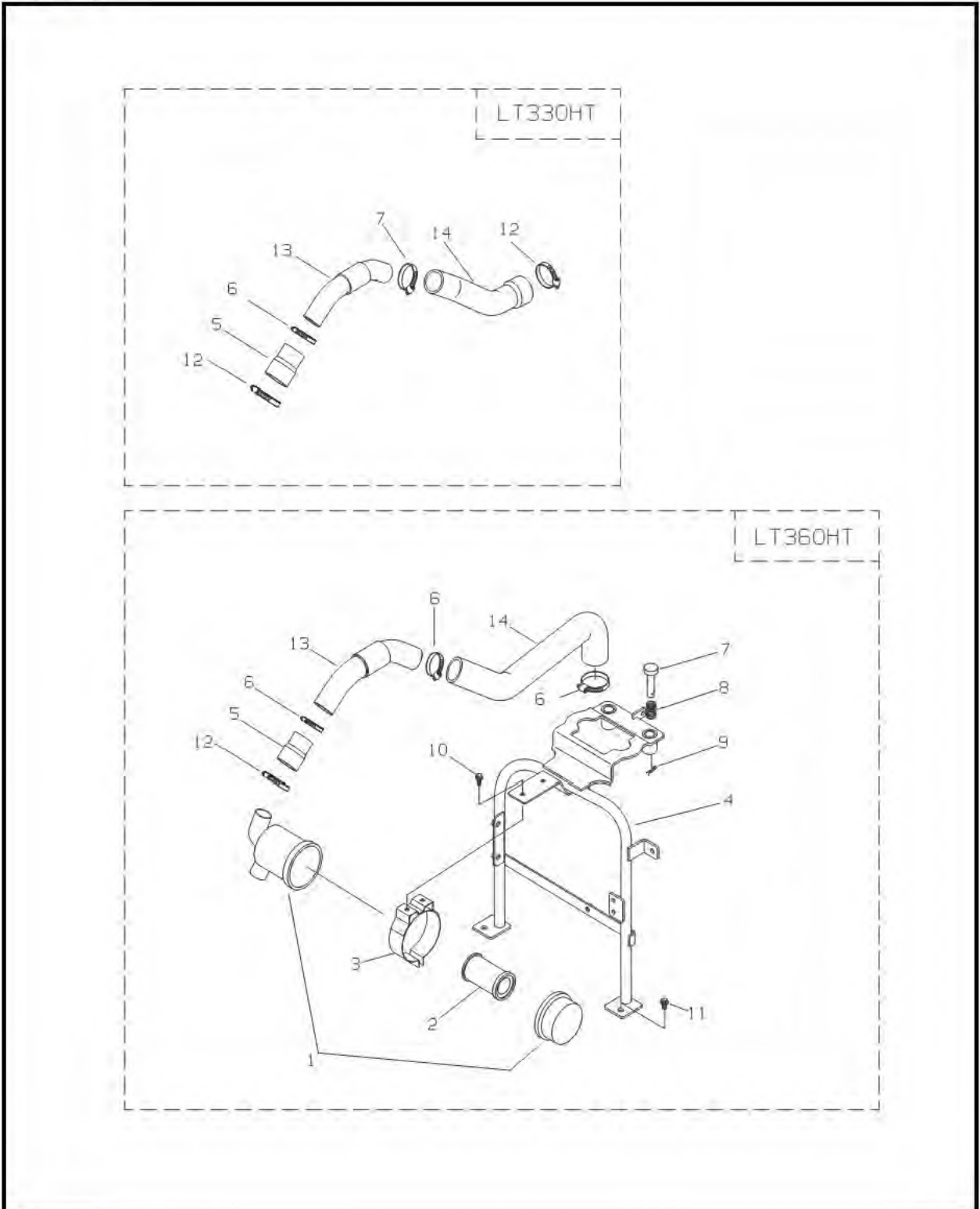
RADIATOR(170)

FIG. 2-4

KEY NO.	PART NO.	PART NAME & DESCRIPTION		MODEL & QTY		APPLI. NO.	REMARK
				330HT	360HT		
1	A1170076	RADIATOR		*	1		
	A1170223	RADIATOR		1	*		
2	A1970360	RUBBER, DAMP MOUNT		2	2		
3	S361100013	WASHER, SPRING	Φ10.2xΦ18.4x2.5t	2	2		
4	S302100013	NUT, HEX.	M10x1.25	2	2		
5	A1170192	SHROUD, FAN		*	1		
	A1170196	SHROUD, FAN		1	*		
6	S155082033	BOLT, HEX. W/WASHER	M8x1.25x20L	6	7		
7	A1970258	RUBBER, CUSHION		1	1		
8	A1170221	NET SCREEN, RADIATOR		1	1		
9	A1170224	PALTE, RADIATOR		1	1		
10	S151086533	BOLT, HEX	M10x1.5x65L	1	1		
11	A1170101	STRIP, WEATHER		1	1		
12	A1170095	STRIP, WEATHER		1	1		
13	A1170031	TANK, RESERVOR		1	1		
14	A1170082	HOSE, OUTLET		*	1		
	A1170195	HOSE, WATER LOWER		1	*		
15	A1970201H	CLAMP, HOSE		4	4		
16	A1170083	HOSE, INLET		*	1		
	A1170191	HOSE, WATER UPPER		1	*		
17	A1170099	PLATE		*	1		
18	S155082033	BOLT, HEX. W/WASHER	M8x1.25x20L	*	2		
19	A1170102	SEAL, RADIATOR AIR		1	1		
20	S311080013	NUT	M8x1.25	1	1		

AIR CLEANER(190)

FIG. 2-5



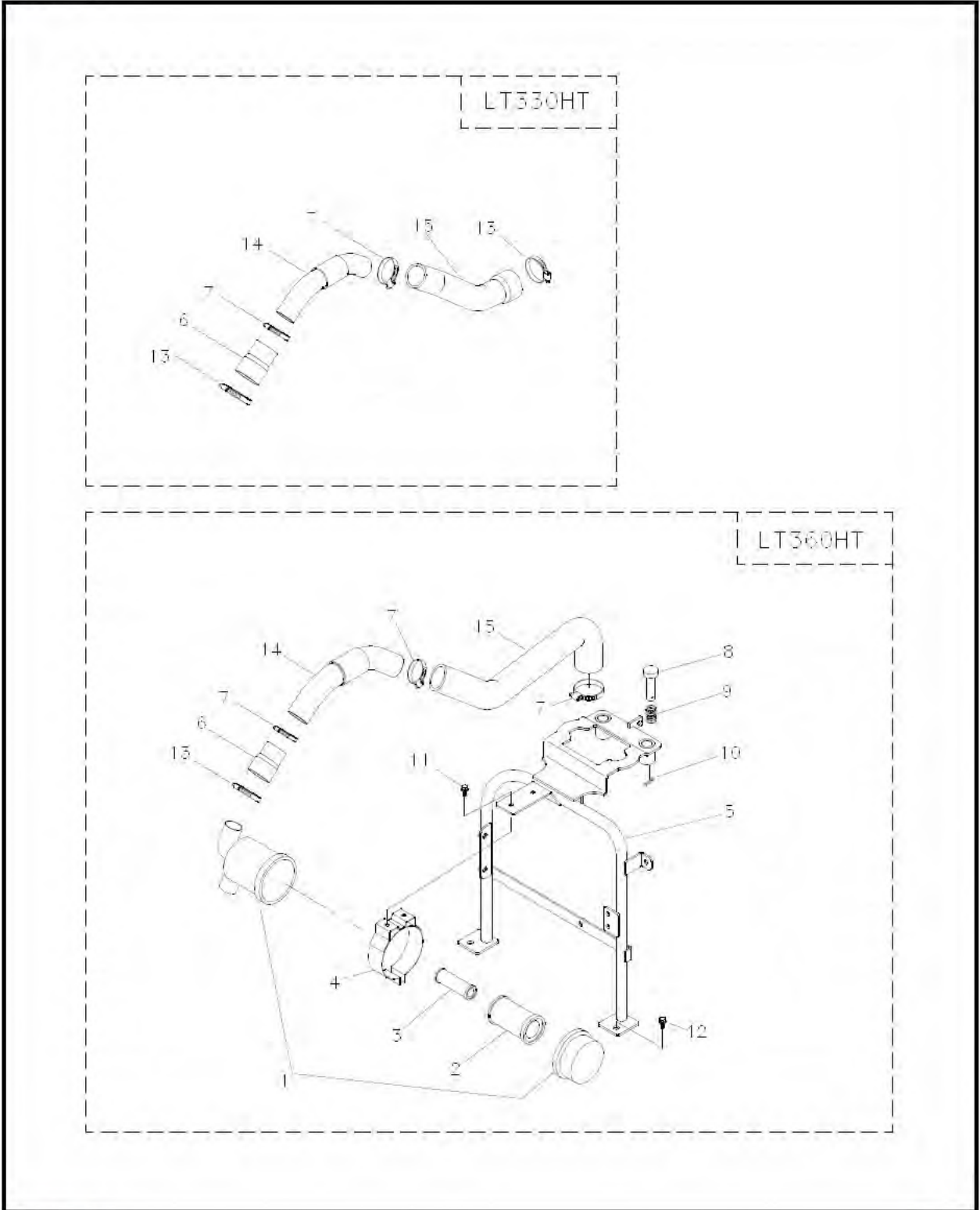
AIR CLEANER(190)

FIG. 2-5

KEY NO.	PART NO.	PART NAME & DESCRIPTION		MODEL & QTY		APPLI. NO.	REMARK
				330HT	360HT		
1~2	A1190110	AIR CLEANER ASSY		1	1		
1	A1190117	BODY ASSEMBLY		1	1		
2	A1190111	FILTER CARTRIDGE, PRIM.		1	1		
3	A1190113	BAND, AIR CLEANER		1	1		
4	A1190146	SUPPORT, AIR CLEANER		1	1		
5	A1190151	HOSE B, AIR INTAKE		1	1		
6	A1970201H	CLAMP, HOSE		2	3		
7	A1830261	DAMPER		2	2		
8	A0690127	SPRING		2	2		
9	S443120013	PIN, SNAP		2	2		
10	S155082033	BOLT, HEX. W/WASHER	M8x1.25x20L	2	2		
11	S154103533	BOLT, HEX.	M10x1.25x35L	2	2		
12	A1970201J	CLAMP, HOSE		2	1		
13	A1190154	JOINT B, HOSE		*	1		
	A1190152	JOINT A, HOSE		1	*		
14	A1190153	HOSE C, AIR INTAKE		*	1		
	A1190150	HOSE A, AIR INTAKE		1	*		

AIR CLEANER(190)

FIG. 2-5



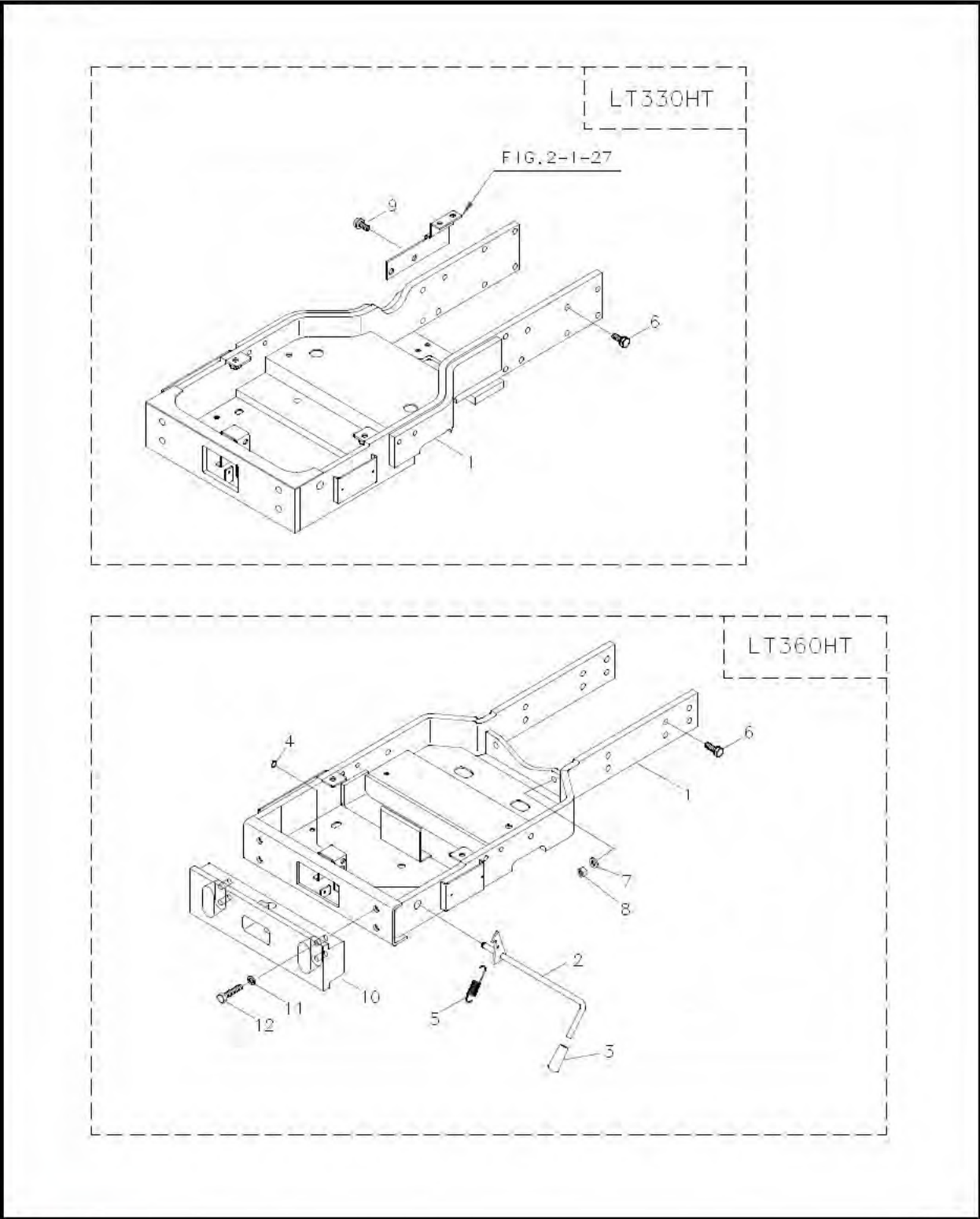
AIR CLEANER(190)

FIG. 2-5

KEY NO.	PART NO.	PART NAME & DESCRIPTION		MODEL & QTY		APPLI. NO.	REMARK
				330HT	360HT		
1~3	A1190110	AIR CLEANER ASSY		1	1		
1	A1190117	BODY ASSEMBLY		1	1		
2	A1190111	FILTER CARTRIDGE, PRIM.		1	1		
3	A1190112	FILTER CARTRIDGE, SAFE.		1	1		
4	A1190113	BAND, AIR CLEANER		1	1		
5	A1190146	SUPPORT, AIR CLEANER		1	1		
6	A1190151	HOSE B, AIR INTAKE		1	1		
7	A1970201H	CLAMP, HOSE		2	3		
8	A1830261	DAMPER		2	2		
9	A0690127	SPRING		2	2		
10	S443120013	PIN, SNAP		2	2		
11	S155082033	BOLT, HEX. W/WASHER	M8x1.25x20L	2	2		
12	S154103533	BOLT, HEX.	M10x1.25x35L	2	2		
13	A1970201K	CLAMP, HOSE		2	1		
14	A1190154	JOINT B, HOSE		*	1		
15	A1190152	JOINT A, HOSE		1	*		
	A1190153	HOSE C, AIR INTAKE		*	1		
	A1190150	HOSE A, AIR INTAKE		1	*		

ENGINE FRAME(210)

FIG. 2-6



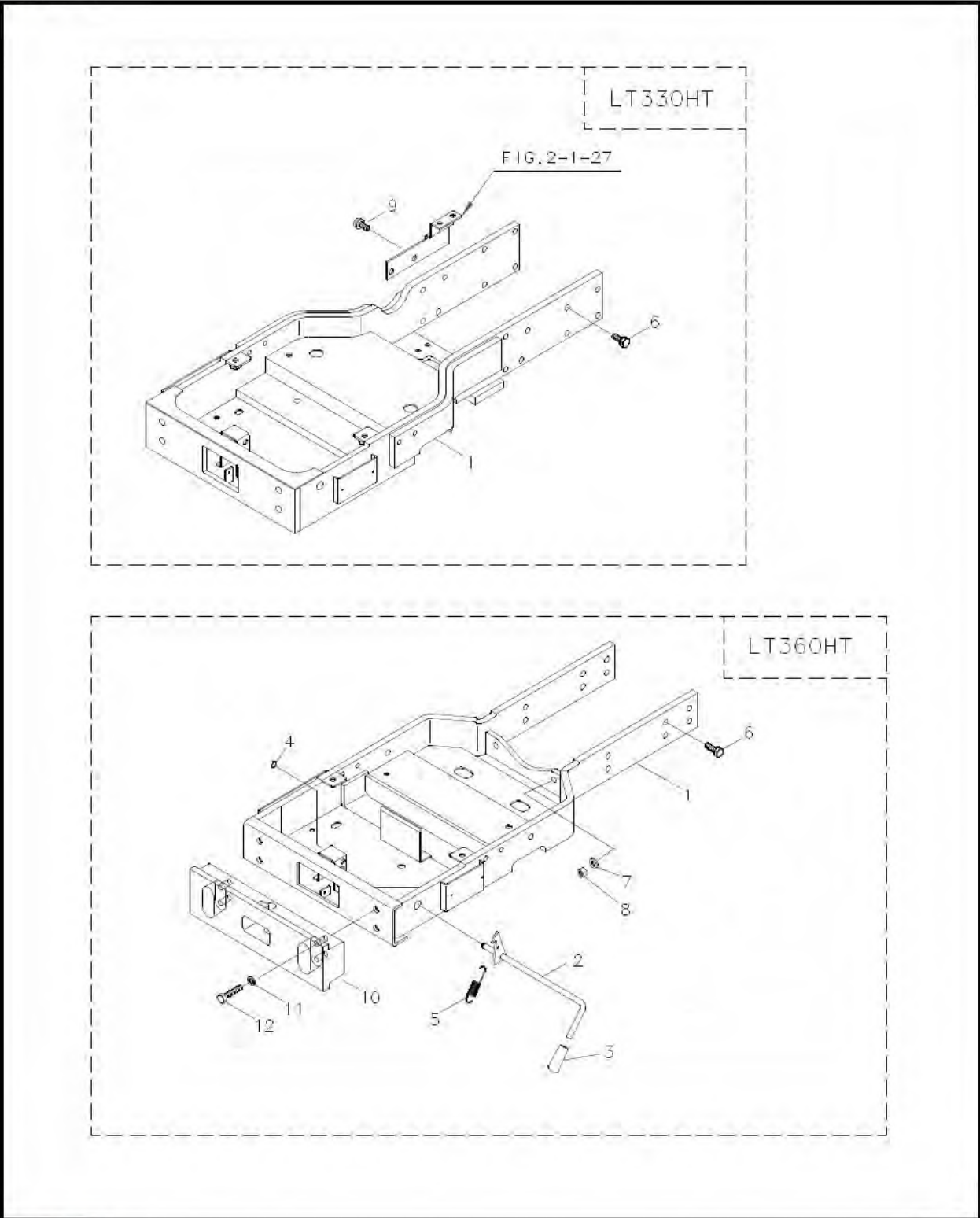
ENGINE FRAME(210)

FIG. 2-6

KEY NO.	PART NO.	PART NAME & DESCRIPTION		MODEL & QTY		APPLI. NO.	REMARK
				330HT	360HT		
1	A1210108	FRAME, ENGINE		*	1		
	A1210103	FRAME, ENGINE		1	*		
2	A1830229	HOOK, GRILL		1	1		
3	A0710037	GRIP		1	1		
4	S810012001	RING, SNAP	φ12x1.0t	1	1		
5	A1830248	SPRING		1	1		
6	S154123533	BOLT, HEX.	M12x1.25x35L	15	12		
7	S361120013	WASHER, SPRING	φ12.2xφ21.5x3.0t	*	2		
8	S314120013	NUT, HEX.	M12x1.25	*	2		
9	S154103533	BOLT, HEX.	M10x1.25x35L	1	*		
10	A1215029	BUMPER		1	1		
11	S361140013	WASHER, SPRING	φ14.2xφ24.5x3.5t	4	4		
12	S103149043	BOLT, HEX.	M14x1.5x90L	4	4		

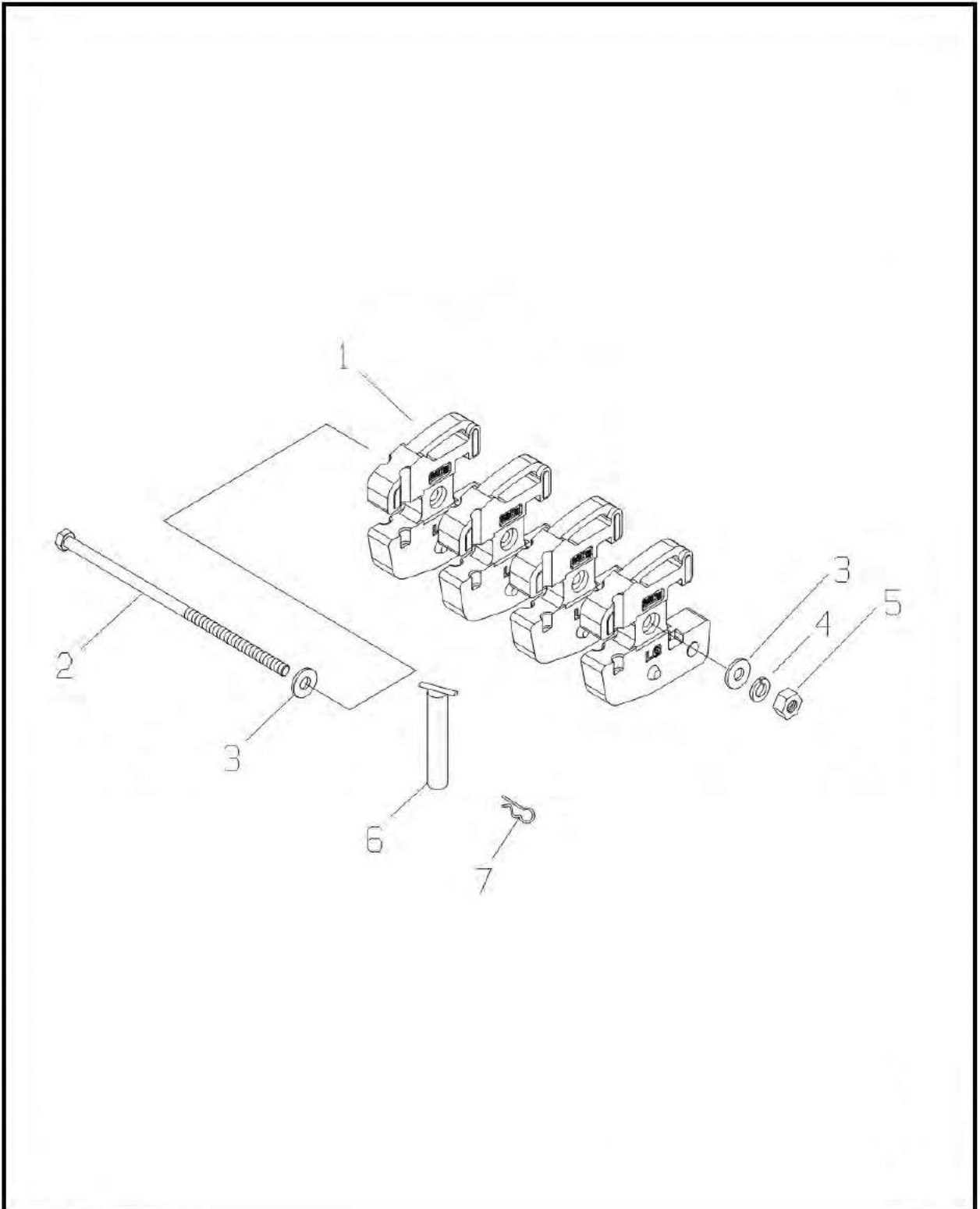
ENGINE FRAME(210)

FIG. 2-6



FRONT BALLAST (215)

FIG. 2-7



FRONT BALLAST(215)

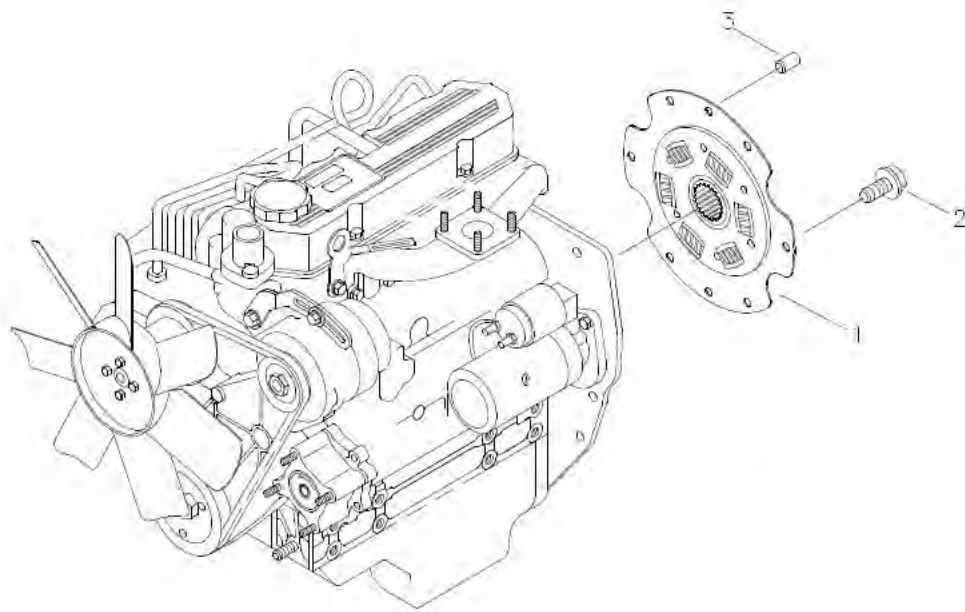
FIG. 2-7

VA

KEY NO.	PART NO.	PART NAME & DESCRIPTION		MODEL & QTY		APPLI. NO.	REMARK
				330HT	360HT		
1	A1215030	WEIGHT, FRONT	20kg/개	4	4		
2	A1215028	BOLT, HEX.	M16x1.5	1	1		
3	3A0010847	WASHER, STOP	Φ38xΦ17x5t	2	2		
4	S361160013	WASHER, SPRING	Φ28xΦ16.2x4t	1	1		
5	S314160013	NUT, HEX	M16x1.5	1	1		
6	A1215031	PIN, FRONT HOOK		1	1		
7	A1970350	PIN, SNAP		1	1		

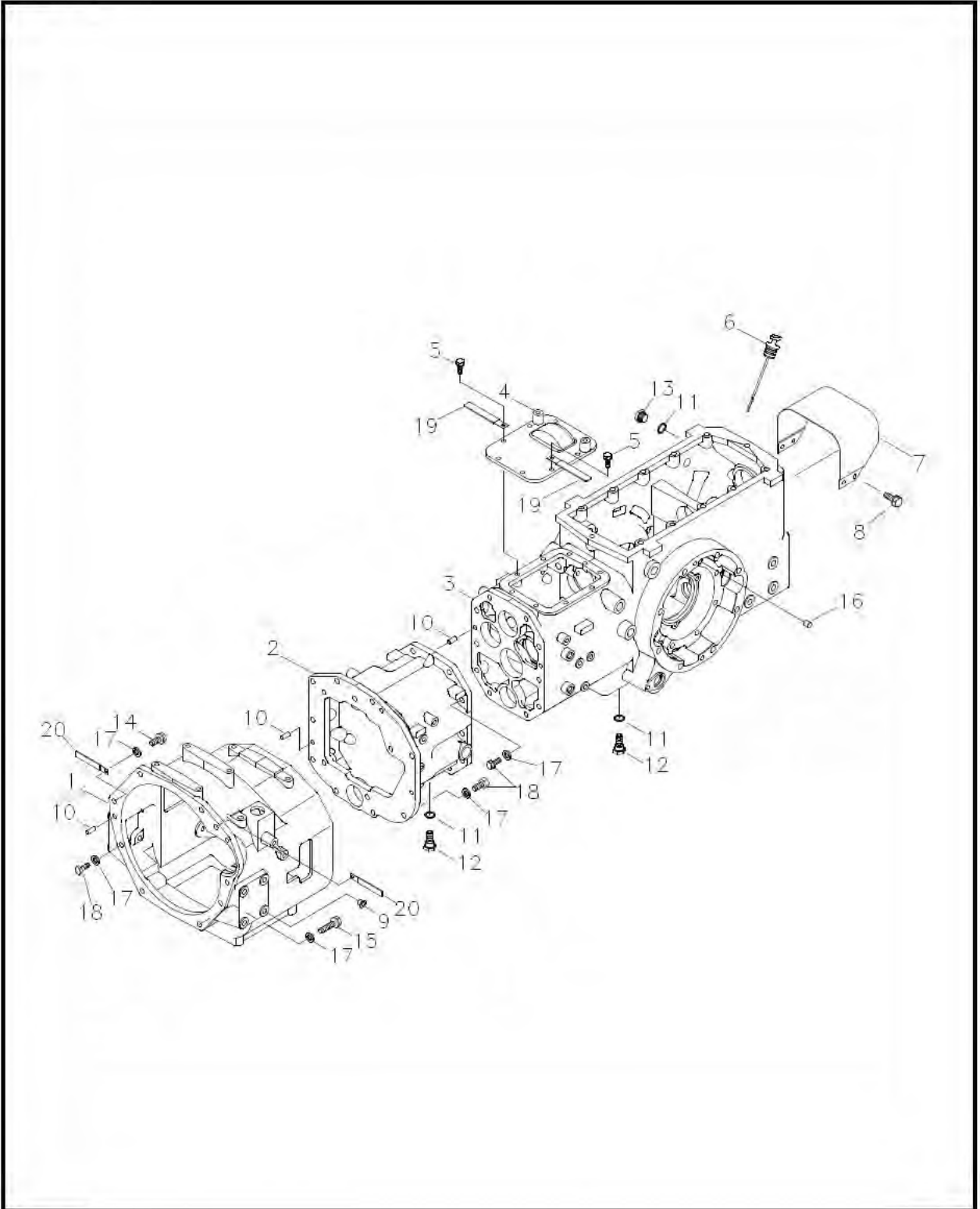
CLUTCH(250)

FIG. 3-1



TRANSMISSION CASE(250,280)

FIG. 3-2



TRANSMISSION CASE(250,280)

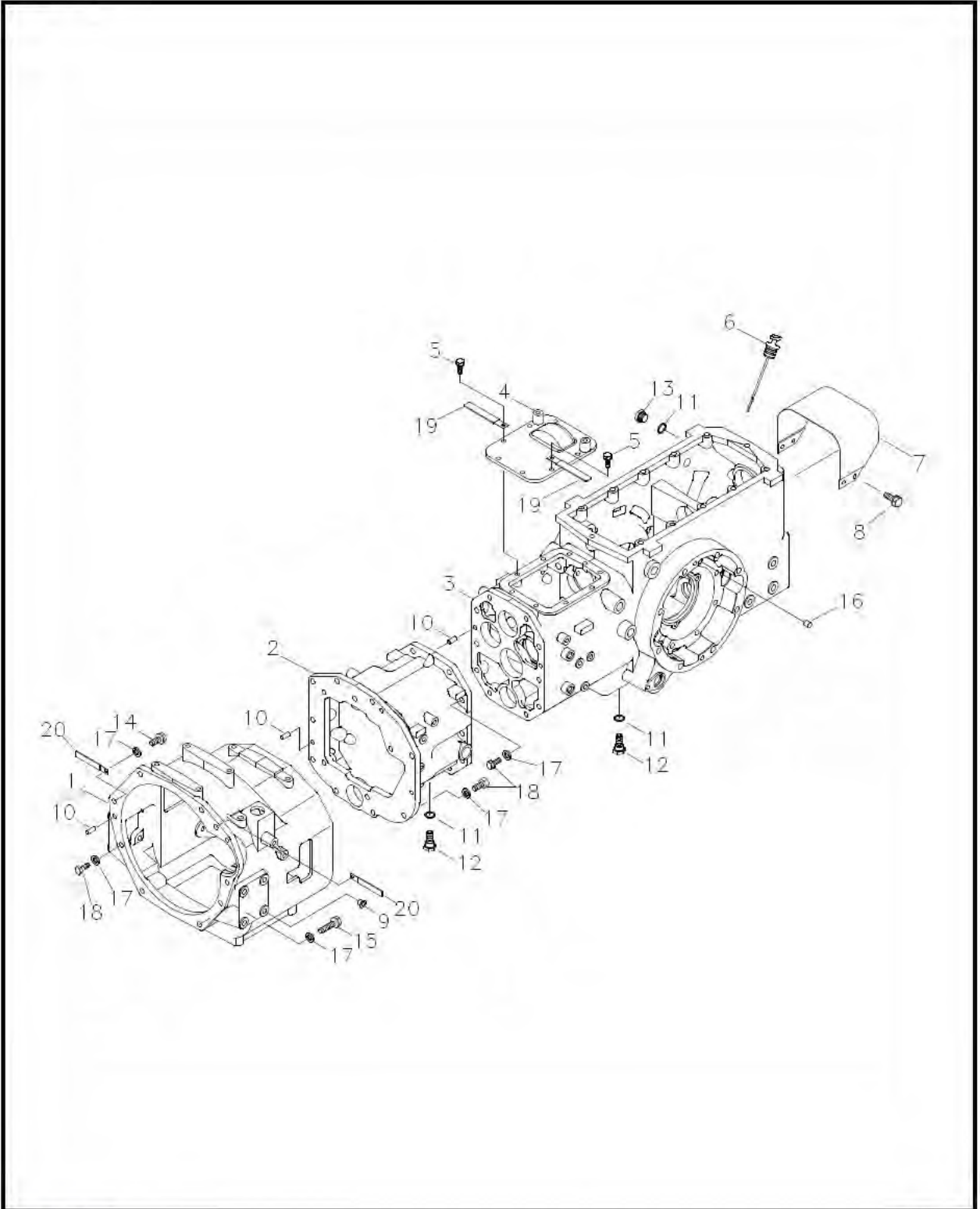
FIG. 3-2

EX

KEY NO.	PART NO.	PART NAME & DESCRIPTION	MODEL & QTY		APPLI. NO.	REMARK
			330HT	360HT		
1	A1280213	HOUSING, HST	1	1		
2	A1280156	CASE, CENTER	1	1		
3	A1280211	CASE, AXLE	1	1		
4	A1280160	COVER, AXLE CASE	1	1		
5	S154102533	BOLT, HEX M10x1.25x25L	8	8		
6	A1280161	GAUGE, OIL LEVEL	1	1		
7	A1280245	SHIELD, PTO	1	1		
8	S156102033	BOLT, HEX M10x1.25x20L	4	4		
9	3A1970068	PLUG	8	8		
10	S423102010	PIN, DOWEL D10x20L	6	6		
11	A10263360	SEAL Φ20xΦ26x1.0t	3	3		
12	3A1250013	PLUG, MAGNET	2	2		
13	A0610281	PLUG, DRAIN	1	1		
14	S105123043	BOLT, HEX M12x1.75x30L	3	*		
15	S105128543	BOLT, HEX M12x1.75x85L	2	2		
16	S423102010	PIN, DOWEL Φ10x20L	4	4		
17	S361120013	WASHER, SPRING Φ12.2xΦ21.5x3.0t	26	25		
18	S105123543	BOLT, HEX M12x1.75x35L	23	23		
19	A0640103	CLAMP, RING	2	2		
20	A0641020	CLAMP, RING	2	2		

TRANSMISSION CASE(250,280)

FIG. 3-2



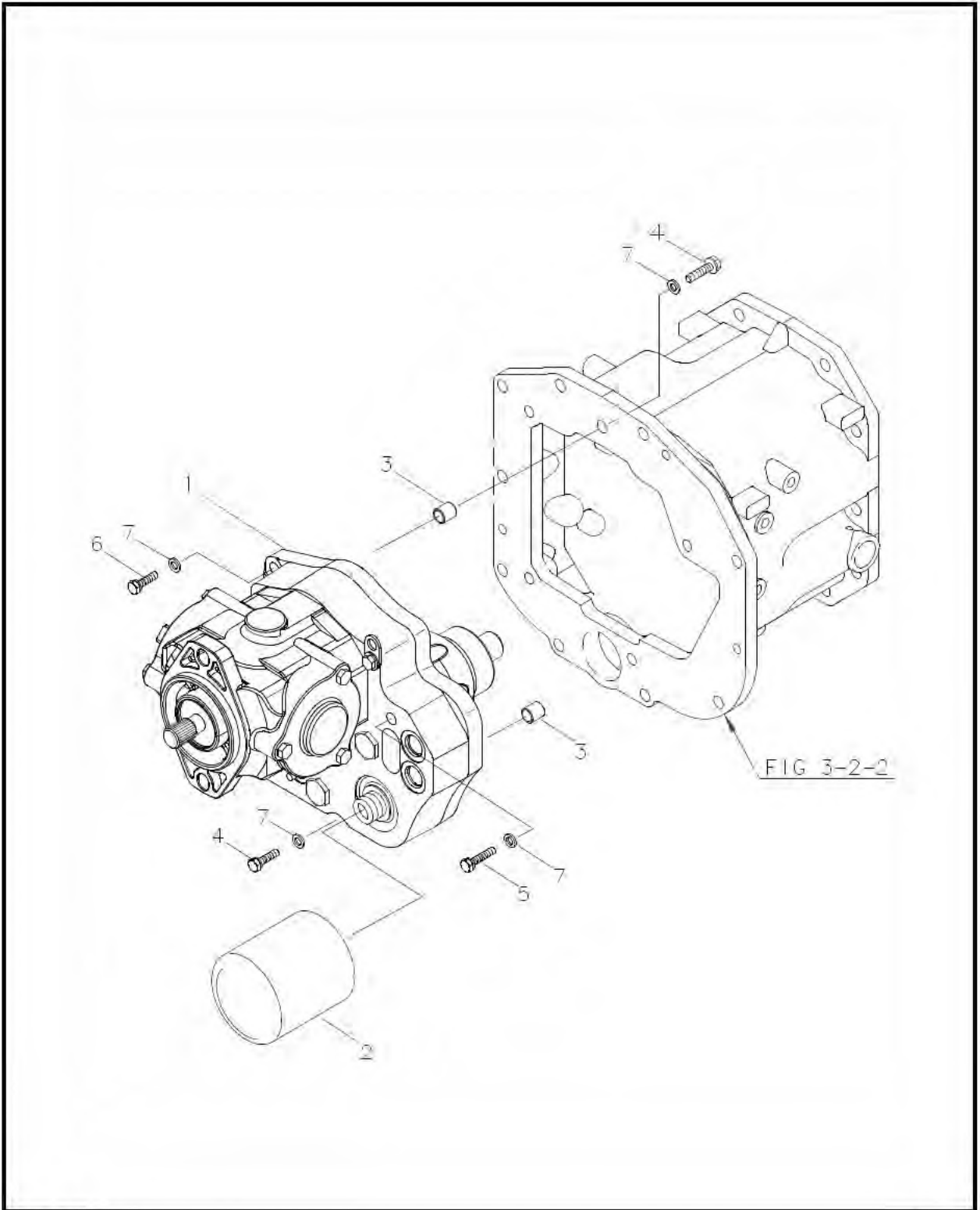
TRANSMISSION CASE(250,280)

FIG. 3-2

KEY NO.	PART NO.	PART NAME & DESCRIPTION		MODEL & QTY		APPLI. NO.	REMARK
				330HT	360HT		
1	A1280157	HOUSING, HST		1	1		
2	A1280156	CASE, CENTER		1	1		
3	A1280158	CASE, AXLE		1	1		
4	A1280160	COVER, AXLE CASE		1	1		
5	S154102533	BOLT, HEX	M10x1.25x25L	8	8		
6	A1280161	GAUGE, OIL LEVEL		1	1		
7	A1280102	COVER, PTO		1	1		
8	S156102033	BOLT, HEX	M10x1.25x20L	4	4		
9	3A1970068	PLUG		8	8		
10	S423102010	PIN, DOWEL	D10x20L	6	6		
11	A10263360	SEAL	Φ20xΦ26x1.0t	3	3		
12	3A1250013	PLUG, MAGNET		2	2		
13	A0610281	PLUG, DRAIN		1	1		
14	S105123043	BOLT, HEX	M12x1.75x30L	3	2		
15	S105128543	BOLT, HEX	M12x1.75x85L	2	2		
16	S423102010	PIN, DOWEL	Φ10x20L	4	4		
17	S361120013	WASHER, SPRING	Φ12.2xΦ21.5x3.0t	26	25		
18	S105123543	BOLT, HEX	M12x1.75x35L	23	23		
19	A0640103	CLAMP, RING		2	2		
20	A0641020	CLAMP, RING		2	2		

HST(270)

FIG. 3-3



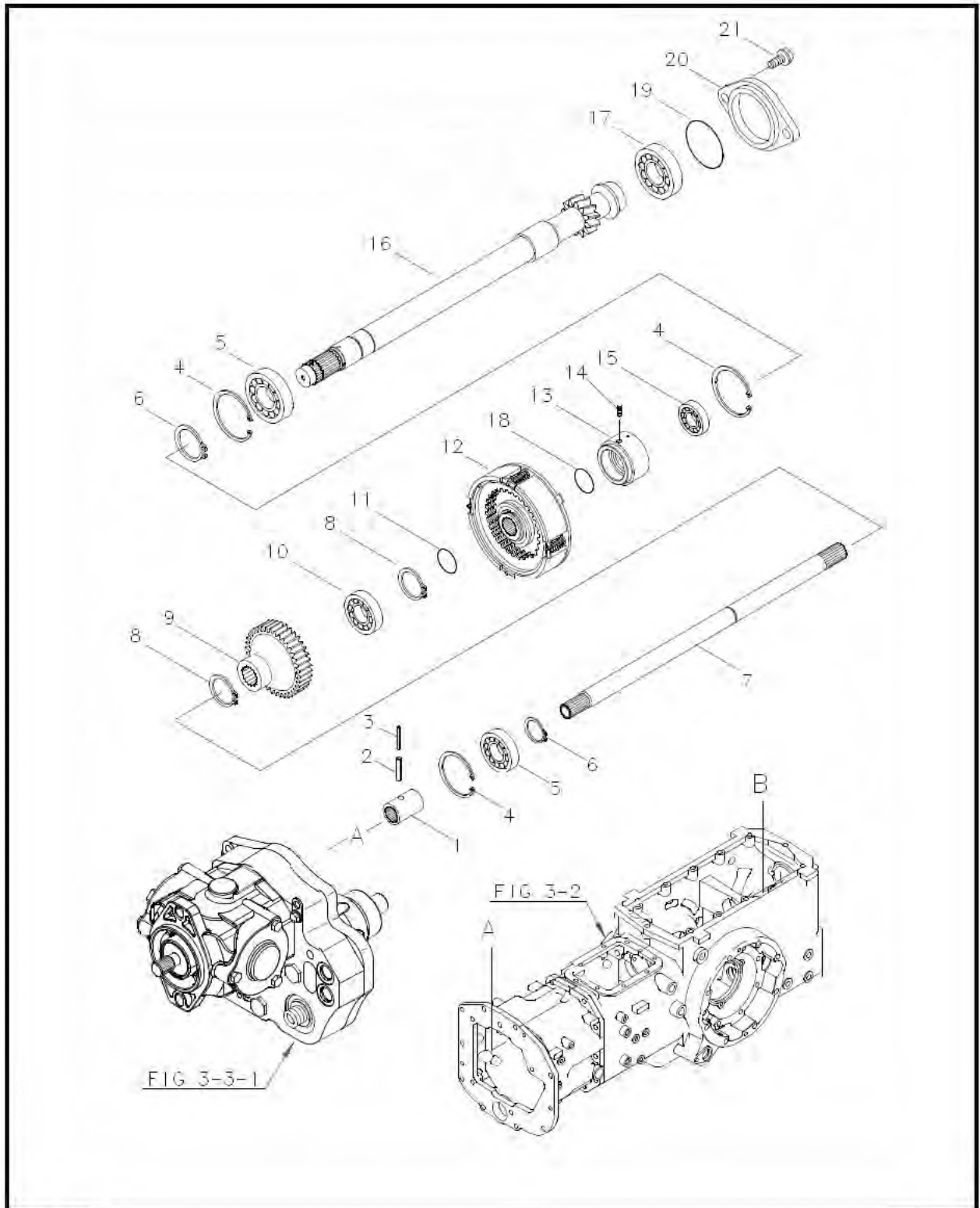
HST(270)

FIG. 3-3

KEY NO.	PART NO.	PART NAME & DESCRIPTION		MODEL & QTY		APPLI. NO.	REMARK
				330HT	360HT		
1	A1270001	HST UNIT		1	1		
2	A1270003	FILTER, HST		1	1		
3	A1270002	DOWEL PIN		2	2		
4	S105124033	BOLT, HEX	M12x1.75x40L	2	2		
5	S105128533	BOLT, HEX	M12x1.75x85L	1	1		
6	S105123533	BOLT, HEX	M12x1.75x35L	2	2		
7	S361120013	WASHER, SPRING	D21.5xd12.2x3.0t	5	5		

P.T.O CLUTCH(283,287)

FIG. 3-4



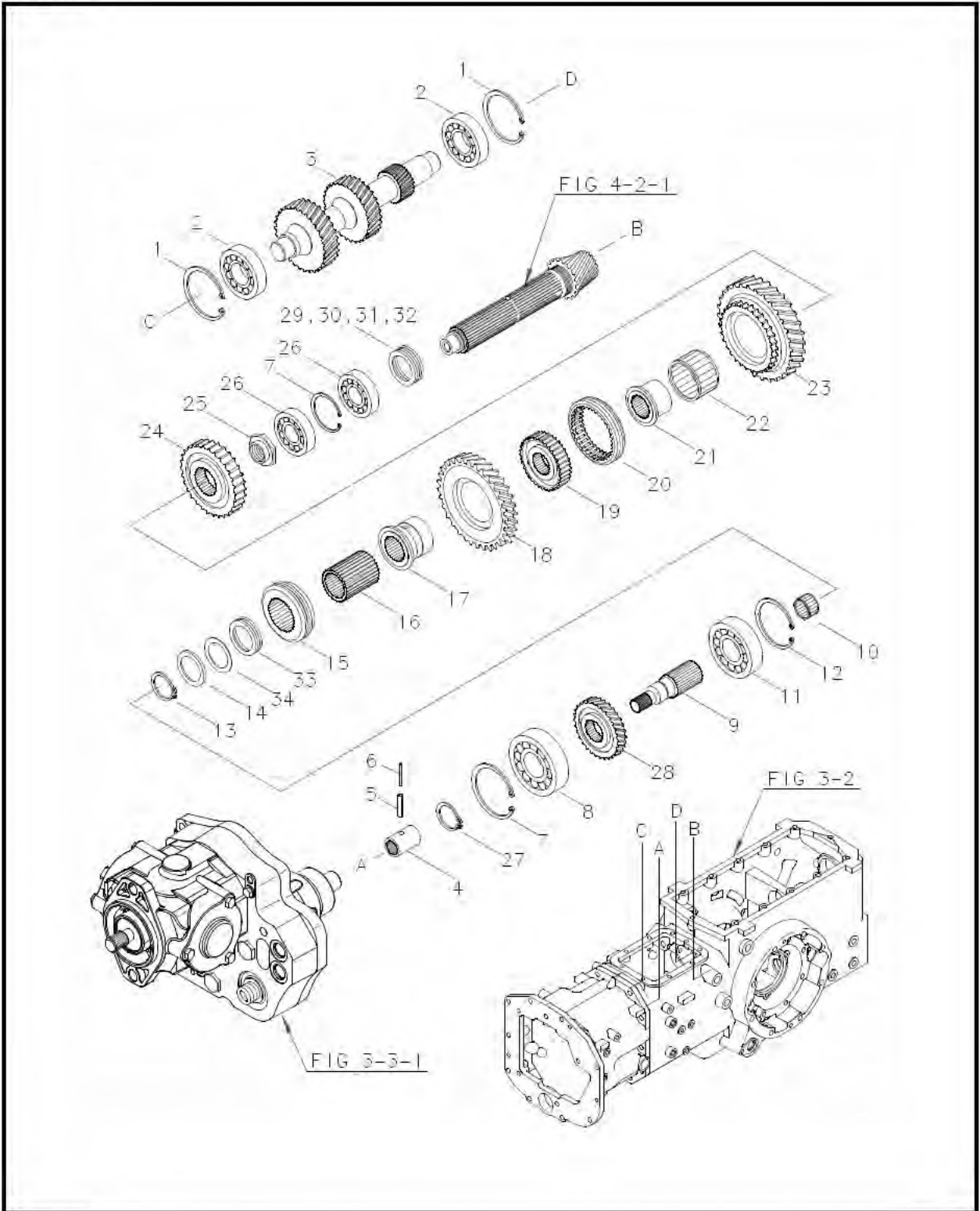
P.T.O CLUTCH(283,287)

FIG. 3-4

KEY NO.	PART NO.	PART NAME & DESCRIPTION		MODEL & QTY		APPLI. NO.	REMARK
				330HT	360HT		
1~3	A1287271	COUPLING ASSY		1	1		
1	A1287270	COUPLING		1	1		
2	S446053610	PIN, SPRING	φ5x36L	1	1		
3	S446033210	PIN, SPRING	φ3x32L	1	1		
4	S811062001	RING, SNAP	φ62x2.0t	2	2		
5	A0863050	BEARING, BALL	#6305	2	2		
6	S810025001	RING, SNAP	φ25x1.2t	2	2		
7	A1287264	SHAFT, PTO DRIVE		1	1		
8	S810022001	RING, SNAP	φ22x1.2t	2	2		
9	A1283191	HUB, PTO CLUTCH		1	1		
10	A0860040	BEARING, BALL	#6004	1	1		
11	S804020010	O-RING	S20(φ20xW1.5)	1	1		
12	A1287185	CLUTCH, PTO		1	1		
13	A1283192	SLEEVE, HYD. CIRCUIT		1	1		
14	S202082021	SCREW, SET. SOC	M8x1.25x20L	1	1		
15	A0860050	BEARING, BALL	#6005	1	1		
16	A1287217	SHAFT, PTO DRIVE		1	1		
17	A0863060	BEARING, BALL	#6306	1	1		
18	A1281229	RING, PISTON		1	1		
19	S804070010	O-RING	S70(φ70xW2.0)	1	1		
20	A1280090	COVER, PTO DRV. SHAFT		1	1		
21	S154102533	BOLT, HEX	M10x1.25x25L	2	2		

SUB TRANSFER SHAFT (285)

FIG. 3-5



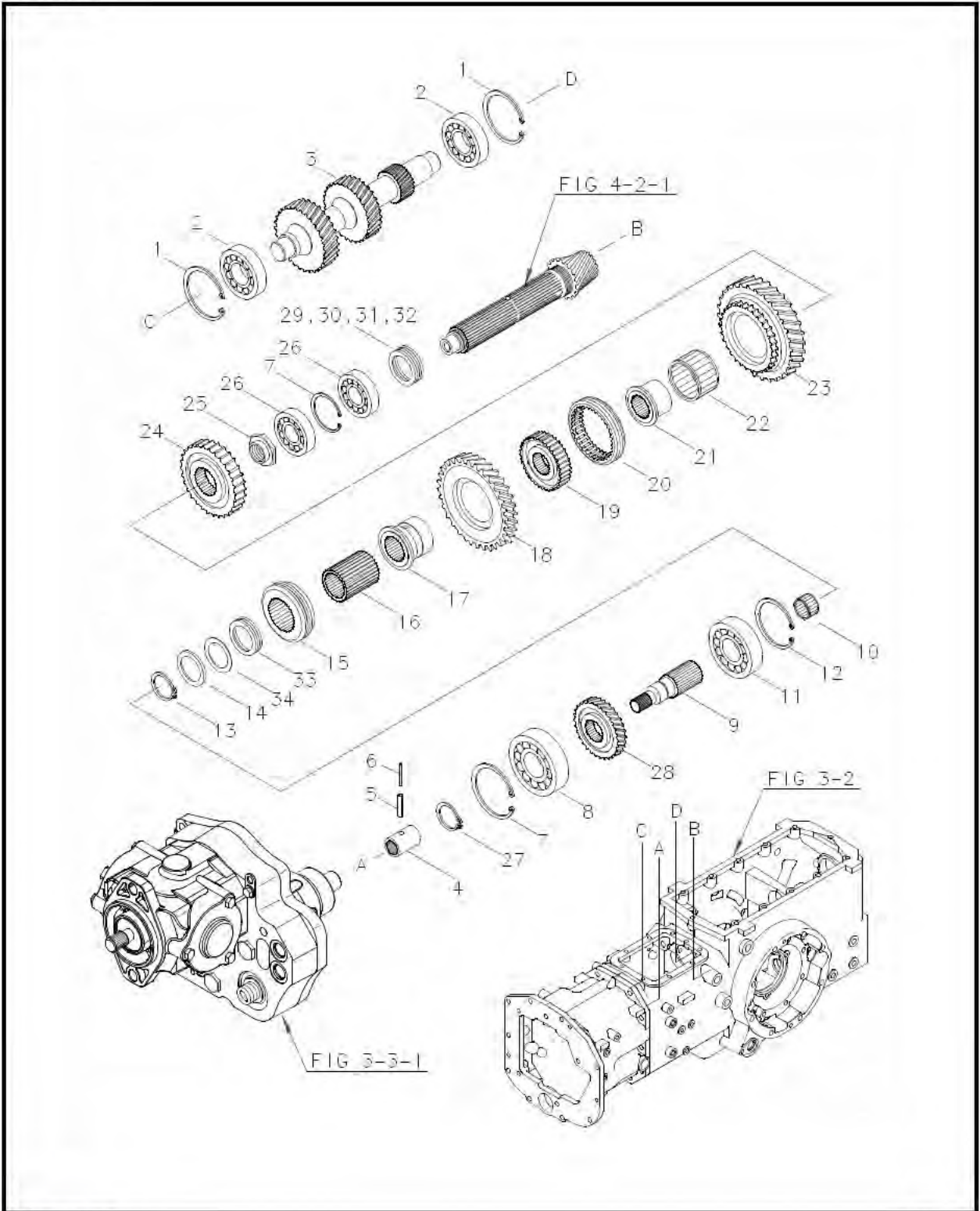
SUB TRANSFER SHAFT (285)

FIG. 3-5

KEY NO.	PART NO.	PART NAME & DESCRIPTION		MODEL & QTY		APPLI. NO.	REMARK
				330HT	360HT		
1	S811062001	RING, SNAP	Φ62x2t	2	2		
2	A0863050	BEARING, BALL	#6305	2	2		
3	A1285203	SHAFT, SUB DRIVE		1	1		
4-6	A1285211	COUPLING ASSY		1	1		
4	A1285212	COUPLING	Φ68x2.5t	1	1		
5	S446053610	PIN, SPRING	Φ5.4x36L	1	1		
6	S446033210	PIN, SPRING	Φ3.3x32L	1	1		
7	S811072001	RING, SNAP	Φ72x2.5t	2	2		
8	A0862070	BEARING, BALL	#6207	1	1		
9	A1285200	SHAFT, RANGE 1ST		1	1		
10	A1970274	BEARING, NEEDLE	Φ20xΦ26x20L	1	1		
11	A0860080	BEARING, BALL	#6008	1	1		
12	S811068001	RING, SNAP	Φ68x2.5t	1	1		
13	S810025001	RING, SNAP	Φ25x1.5t	1	1		
14	A1285213	SPACER, RANGE		1	1		
15	A1285209	SLEEVE, RANGE H		1	1		
16	A1285208	SPACER, SPLINE		1	1		
17	A1285210	SLEEVE, GEAR		1	1		
18	A1285301	GEAR, RANGE DRVN 39T		1	1		
19	A1285206	HUB, RANGE L/M		1	1		
20	A1285300	SLEEVE, RANGE		1	1		
21	A1281303	SLEEVE, F,R		1	1		
22	3A1970157	BEARING, NEEDLE	Φ40xΦ45x27L	1	1		
23	A1285302	GEAR, RANGE DRVN 47T		1	1		
24	A1288098	GEAR, 4WD. DRV 44T		1	1		
25	A1287079	NUT, LOCK	M35x1.5	1	1		
26	A1326032	BEARING, TAPER	#32207C	2	2		
27	S810035001	RING, SNAP	Φ35x1.5t	1	1		
28	A1285201	GEAR, RANGE DRV. 30T		1	1		
29	A0870451	SHIM	Φ36xΦ46x0.15t	AR	AR		
30	A0870452	SHIM	Φ36xΦ46x0.2t	AR	AR		
31	A0870455	SHIM	Φ36xΦ46x0.5t	AR	AR		
32	A0870458	SHIM	Φ36xΦ46x1.0t	AR	AR		
33	A1285214	SHIM, RANGE	Φ25xΦ35x0.15t	AR	AR		
34	A1285235	SHIM, RANGE	Φ25xΦ35x0.6t	AR	AR		

SUB TRANSFER SHAFT (285)

FIG. 3-5



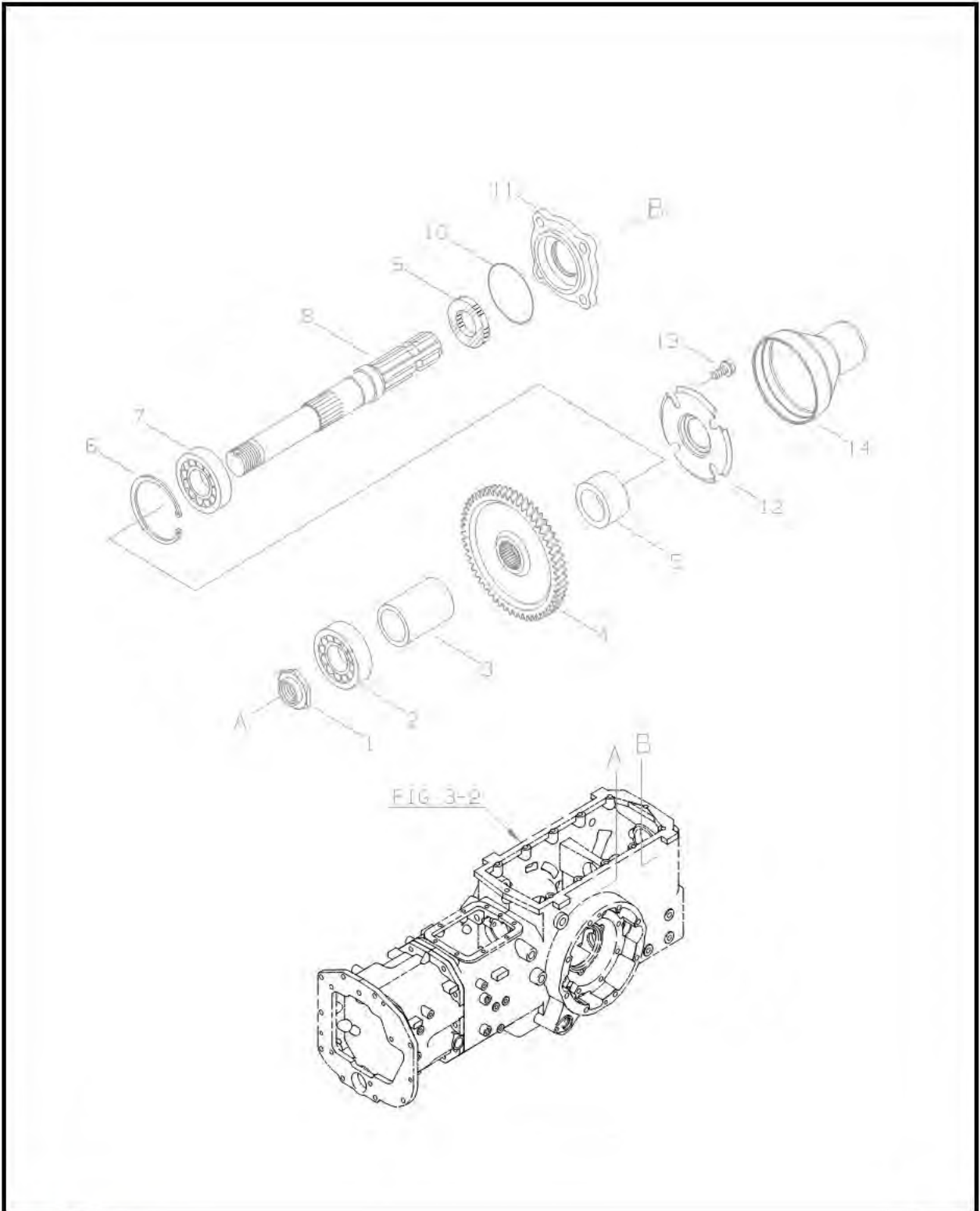
SUB TRANSFER SHAFT (285)

FIG. 3-5

KEY NO.	PART NO.	PART NAME & DESCRIPTION		MODEL & QTY		APPLI. NO.	REMARK
				330HT	360HT		
1	S811062001	RING, SNAP	Φ62x2t	2	2		
2	A0863050	BEARING, BALL	#6305	2	2		
3	A1285203	SHAFT, SUB DRIVE		1	1		
4-6	A1285211	COUPLING ASSY		1	1		
4	A1285212	COUPLING	Φ68x2.5t	1	1		
5	S446053610	PIN, SPRING	Φ5.4x36L	1	1		
6	S446033210	PIN, SPRING	Φ3.3x32L	1	1		
7	S811072001	RING, SNAP	Φ72x2.5t	2	2		
8	A0862070	BEARING, BALL	#6207	1	1		
9	A1285200	SHAFT, RANGE 1ST		1	1		
10	A1970274	BEARING, NEEDLE	Φ20xΦ26x20L	1	1		
11	A0860080	BEARING, BALL	#6008	1	1		
12	S811068001	RING, SNAP	Φ68x2.5t	1	1		
13	S810025001	RING, SNAP	Φ25x1.5t	1	1		
14	A1285213	SPACER, RANGE		1	1		
15	A1285209	SLEEVE, RANGE H		1	1		
16	A1285208	SPACER, SPLINE		1	1		
17	A1285210	SLEEVE, GEAR		1	1		
18	A1285204	GEAR, RANGE DRVN 39T		1	1		
19	A1285206	HUB, RANGE L/M		1	1		
20	A1285202	SLEEVE, RANGE L/M		1	1		
21	A1281303	SLEEVE, F,R		1	1		
22	3A1970157	BEARING, NEEDLE	Φ40xΦ45x27L	1	1		
23	A1285205	GEAR, RANGE DRVN 47T		1	1		
24	A1288098	GEAR, 4WD. DRV 44T		1	1		
25	A1287079	NUT, LOCK	M35x1.5	1	1		
26	A1326032	BEARING, TAPER	#32207C	2	2		
27	S810035001	RING, SNAP	Φ35x1.5t	1	1		
28	A1285201	GEAR, RANGE DRV. 30T		1	1		
29	A0870451	SHIM	Φ36xΦ46x0.15t	AR	AR		
30	A0870452	SHIM	Φ36xΦ46x0.2t	AR	AR		
31	A0870455	SHIM	Φ36xΦ46x0.5t	AR	AR		
32	A0870458	SHIM	Φ36xΦ46x1.0t	AR	AR		
33	A1285214	SHIM, RANGE	Φ25xΦ35x0.15t	AR	AR		
34	A1285235	SHIM, RANGE	Φ25xΦ35x0.6t	AR	AR		

P.T.O SHAFT (287)

FIG. 3-6



P.T.O SHAFT(287)

FIG. 3-6

KEY NO.	PART NO.	PART NAME & DESCRIPTION		MODEL & QTY		APPLI. NO.	REMARK
				330HT	360HT		
1	A1287179	NUT, LOCK	M30x1.5	1	1		
2	A0863060	BEARING, BALL	#6306	1	1		
3	A1287215	SPACER	φ33xφ42x87L	1	1		
4	A1287214	GEAR(56T),PTO 1ST DRN.		1	1		
5	A1281192	SPACER	φ33xφ50x44.5L	1	1		
6	S811072001	RING, SNAP	φ72x2.5t	1	1		
7	A0862070	BEARING, BALL	#6207	1	1		
8	A1287218	SHAFT, PTO		1	1		
9	A1287211	SEAL, OIL	φ40xφ62x11.5	1	1		
10	S804070010	O-RING	S70(φ70xW2.0)	1	1		
11	A1280115	COVER, PTO SHAFT		1	1		
12	A1280184	GUIDE, PTO COVER		1	1		
13	S154102533	BOLT, HEX	M10x1.25x25L	4	4		
14	A05171520	COVER, SAFETY		1	1		

P.T.O SHAFT (287)

FIG. 3-6

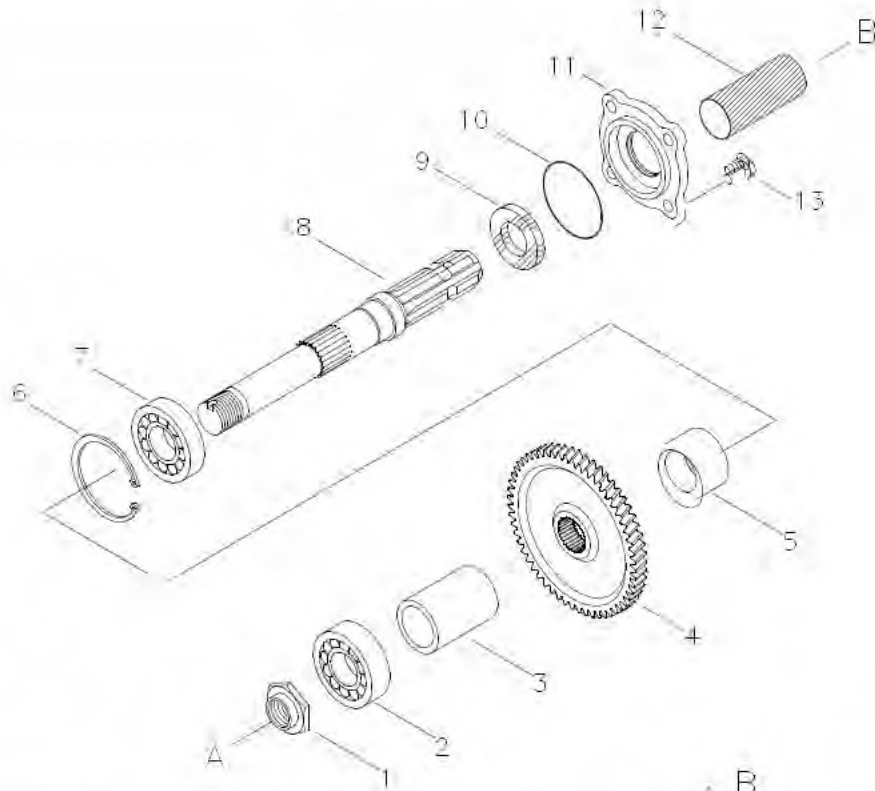
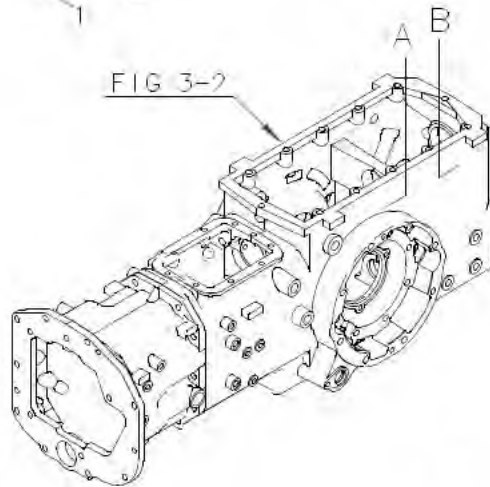


FIG 3-2



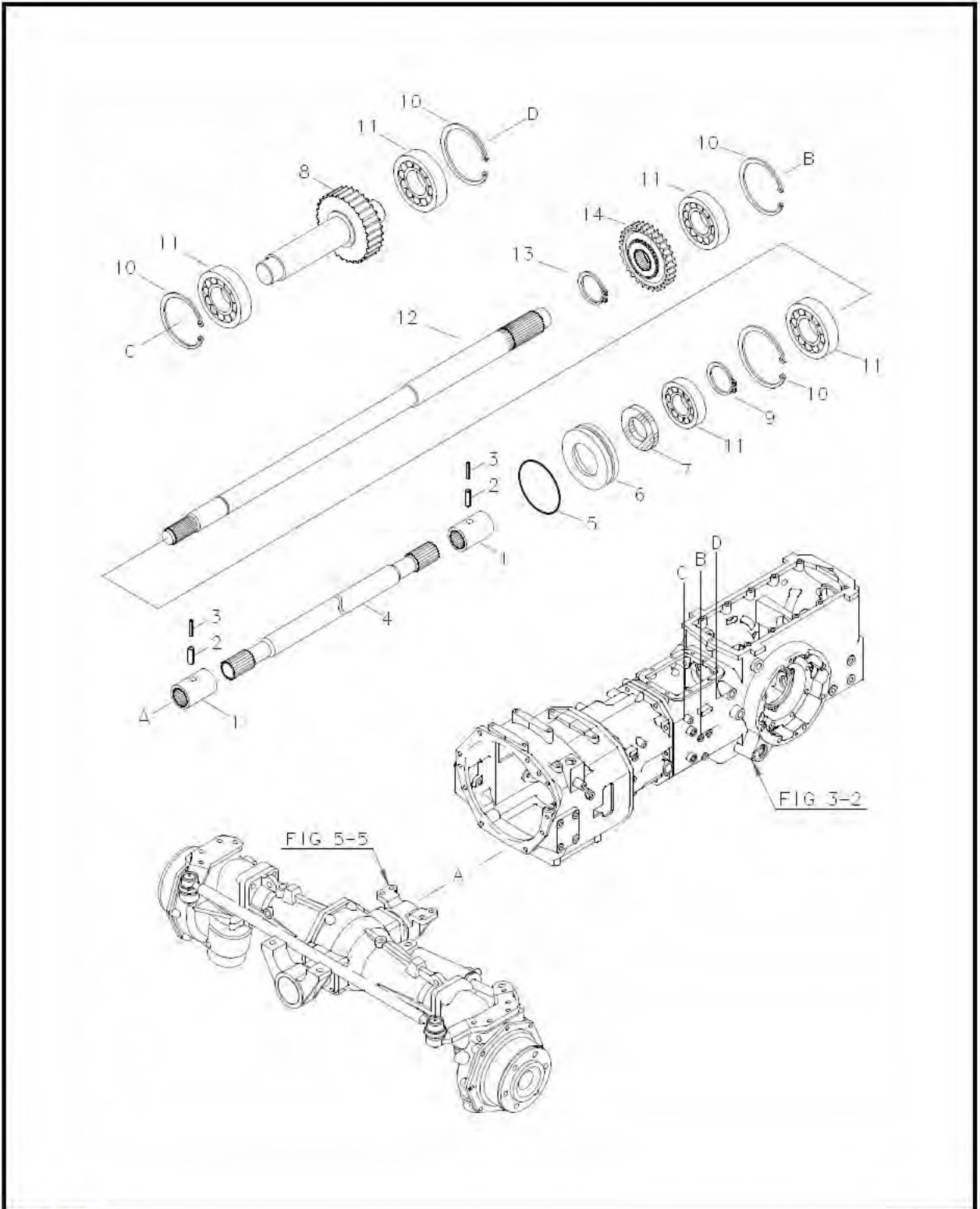
P.T.O SHAFT(287)

FIG. 3-6

KEY NO.	PART NO.	PART NAME & DESCRIPTION		MODEL & QTY		APPLI. NO.	REMARK
				330HT	360HT		
1	A1287179	NUT, LOCK	M30x1.5	1	1		
2	A0863060	BEARING, BALL	#6306	1	1		
3	A1287215	SPACER	φ33xφ42x87L	1	1		
4	A1287214	GEAR(56T),PTO 1ST DRN.		1	1		
5	A1281192	SPACER	φ33xφ50x44.5L	1	1		
6	S811072001	RING, SNAP	φ72x2.5t	1	1		
7	A0862070	BEARING, BALL	#6207	1	1		
8	A1287218	SHAFT, PTO		1	1		
9	A1287211	SEAL, OIL	φ40xφ62x11.5	1	1		
10	S804070010	O-RING	S70(φ70xW2.0)	1	1		
11	A1280115	COVER, PTO SHAFT		1	1		
12	3A5102349	COVER, PTO		1	1		
13	S154102533	BOLT, HEX	M10x1.25x25L	4	4		

4WD(288,380)

FIG. 3-7



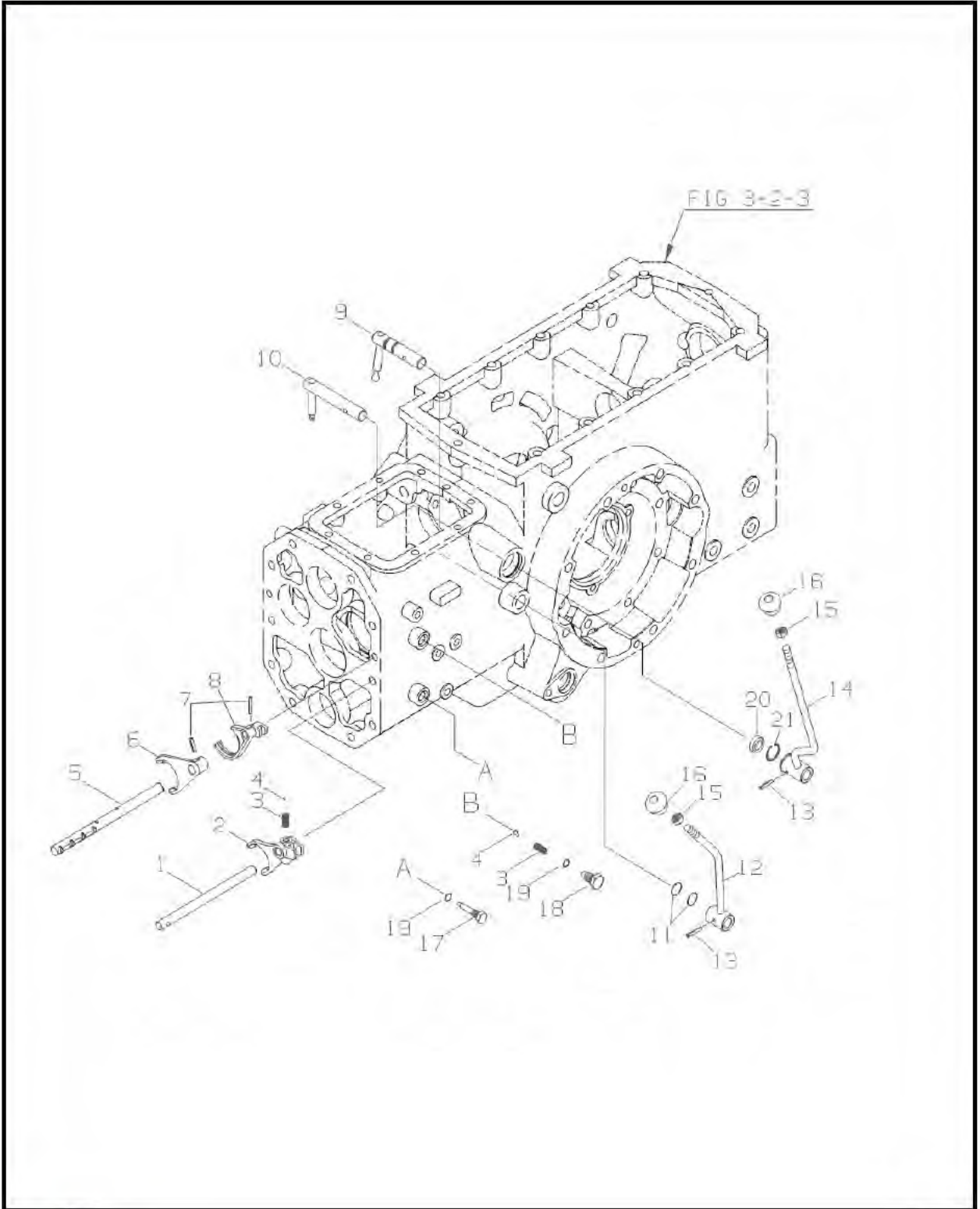
4WD(288,380)

FIG. 3-7

KEY NO.	PART NO.	PART NAME & DESCRIPTION		MODEL & QTY		APPLI. NO.	REMARK
				330HT	360HT		
1~3	A1288044	JOINT ASSY		2	2		
1	A1288028	JOINT, 4WD		2	2		
2	S446053210	PIN, SPRING	φ5x32L	2	2		
3	S446033210	PIN, SPRING	φ3x32L	2	2		
4	A1288101	SHAFT, 4WD FRONT		1	1		
5	S801046010	O-RING	P46(φ46xW3.5)	1	1		
6	A1288043	HOUSING, SEAL	φ52	1	1		
7	A0651253	SEAL, OIL	TC25408	1	1		
8	A1288104	GEAR, 4WD IDLER(31T)		1	1		
9	S810025001	RING, SNAP	φ25x1.2t	1	1		
10	S811052001	RING, SNAP	φ52x2t	4	4		
11	A0862050	BEARING, BALL	#6205	5	5		
12	A1288100	SHAFT, 4WD		1	1		
13	S810030001	RING, SNAP	φ30x1.5t	1	1		
14	A1288099	GEAR, 4WD DRVN 31T		1	1		

SHIFT LEVER & FORK(291,293)

FIG. 3-8



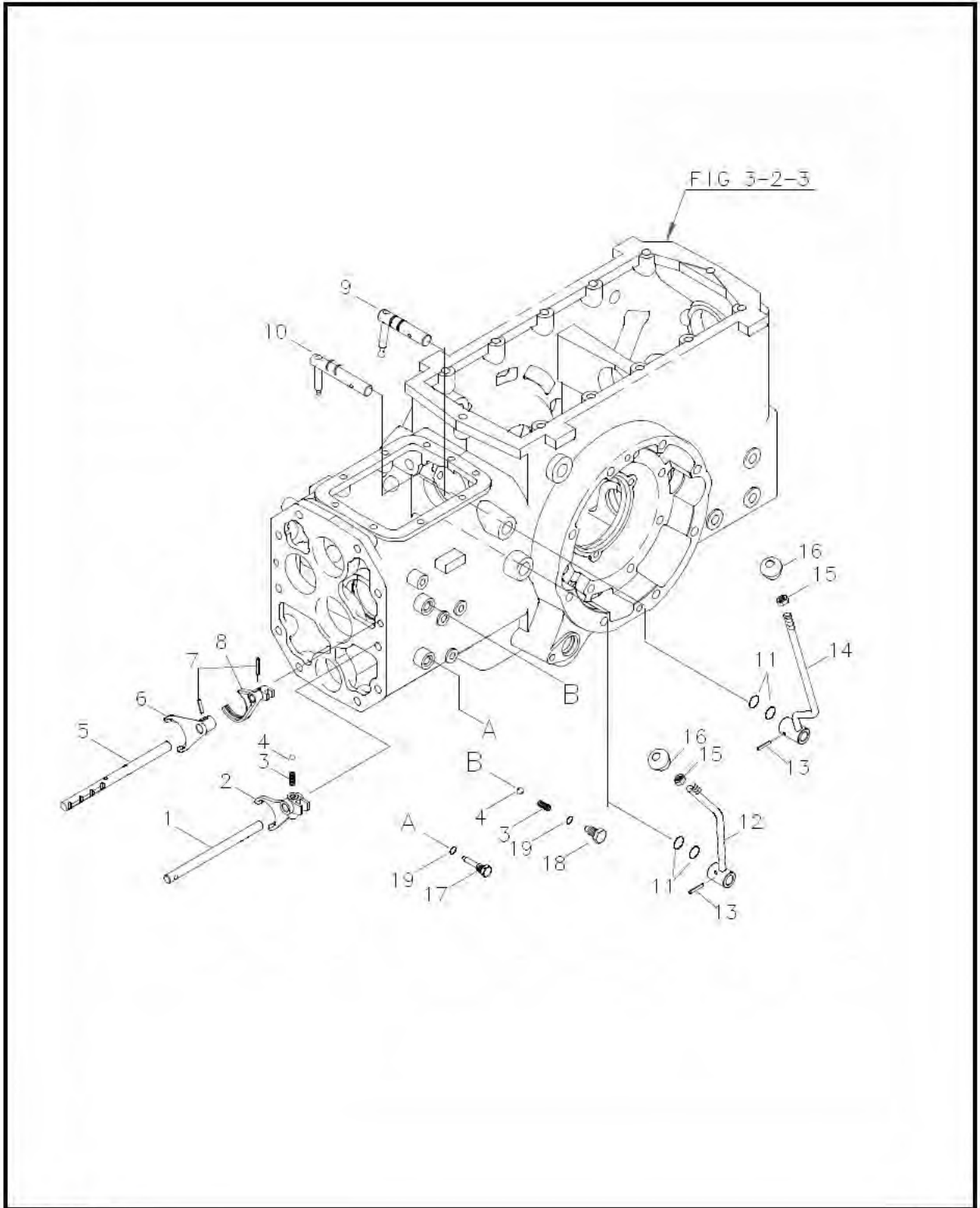
SHIFT LEVER & FORK(291,293)

FIG. 3-8

KEY NO.	PART NO.	PART NAME & DESCRIPTION	MODEL & QTY		APPLI. NO.	REMARK
			330HT	360HT		
1	A1291234	RAIL, 4WD	1	1		
2	A1291231	FORK, 4WD	1	1		
3	3A1290011	SPRING	2	2		
4	A20063390	BALL, SHIFTER FORK	(11/32)	2	2	
5	A1291233	RAIL, RANGE	1	1		
6	A1291229	FORK, RANGE GEAR(H)	1	1		
7	S446062512	PIN, SPRING	Φ6x25	2	2	
8	A1291230	FORK, RANGE GEAR(M,L)	1	1		
9	A1291237	LEVER, 4WD	1	1		
10	A1291270	LEVER, RANGE	1	1		
11	S801016010	O-RING	Φ16xW2.4	2	2	
12	A1293151	HAND LEVER, 4WD	1	1		
13	S446063512	PIN, SPRING	Φ6x35	2	2	
14	A1293170	HAND LEVER, RANGE	1	1		
15	S314100013	NUT	M10x1.25	2	2	
16	A1970300	GRIP	2	2		
17	A1291195	BOLT, SELF LOCK	1	1		
18	A1291145	BOLT, RAIL	M12x1.75x23L	1	1	
19	S801010A10	O-RING	Φ9.8xW2.4	2	2	
20	A0651202	SEAL, OIL	1	1		
21	S811032001	RING, SNAP (C) H.	1	1		

SHIFT LEVER & FORK(291,293)

FIG. 3-8



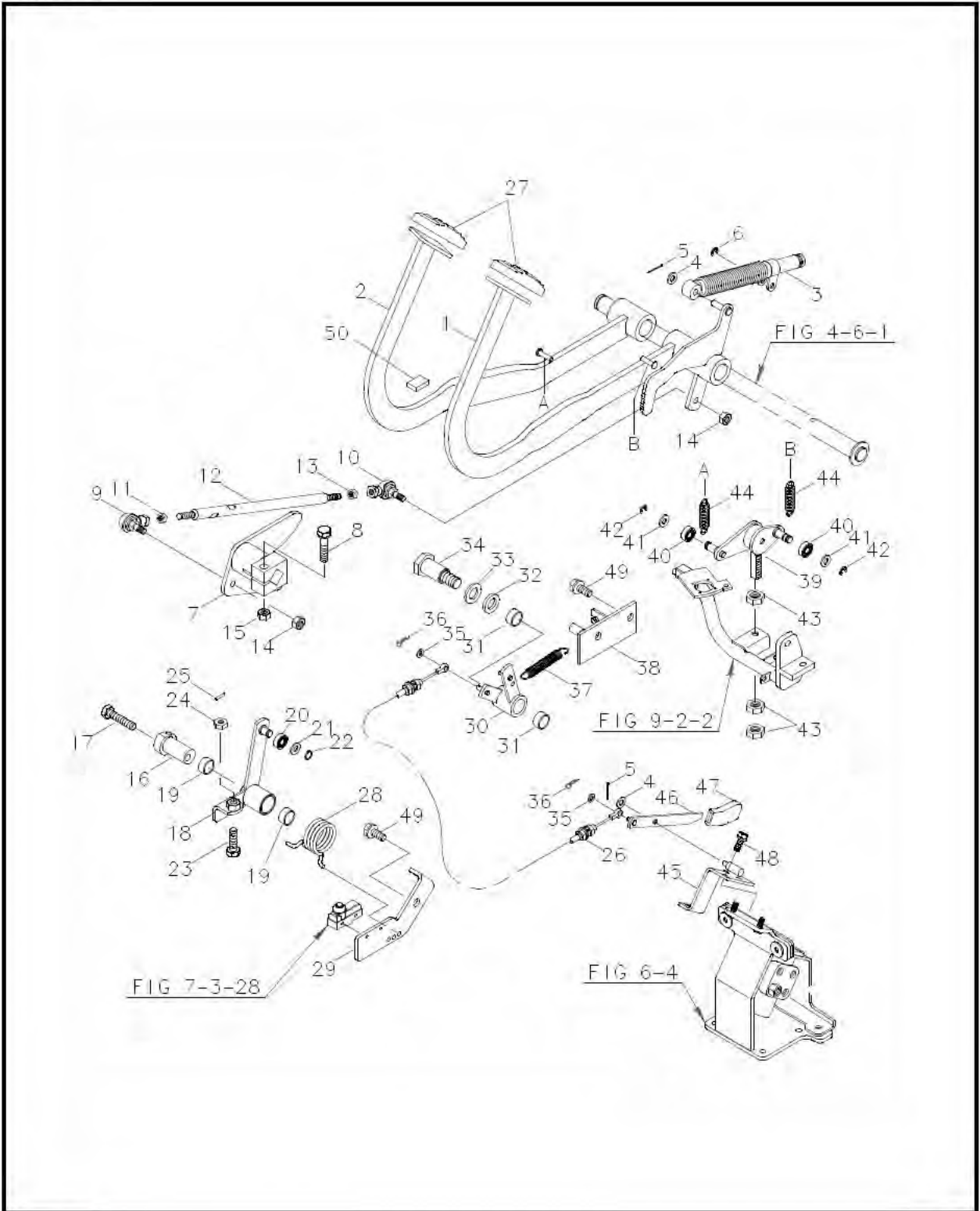
SHIFT LEVER & FORK(291,293)

FIG. 3-8

KEY NO.	PART NO.	PART NAME & DESCRIPTION		MODEL & QTY		APPLI. NO.	REMARK
				330HT	360HT		
1	A1291234	RAIL, 4WD		1	1		
2	A1291231	FORK, 4WD		1	1		
3	3A1290011	SPRING		2	2		
4	A20063390	BALL, SHIFTER FORK	(11/32)	2	2		
5	A1291233	RAIL, RANGE		1	1		
6	A1291229	FORK, RANGE GEAR(H)		1	1		
7	S446062512	PIN, SPRING	Φ6x25	2	2		
8	A1291230	FORK, RANGE GEAR(M,L)		1	1		
9	A1291237	LEVER, 4WD		1	1		
10	A1291236	LEVER, RANGE		1	1		
11	S801016010	O-RING	Φ16xW2.4	4	4		
12	A1293151	HAND LEVER, 4WD		1	1		
13	S446063512	PIN, SPRING	Φ6x35	2	2		
14	A1293150	HAND LEVER, RANGE		1	1		
15	S314100013	NUT	M10x1.25	2	2		
16	A1970300	GRIP		2	2		
17	A1291195	BOLT, SELF LOCK		1	1		
18	A1291145	BOLT, RAIL	M12x1.75x23L	1	1		
19	S801010A10	O-RING	Φ9.8xW2.4	2	2		

HST CONTROL (292)

FIG. 3-9



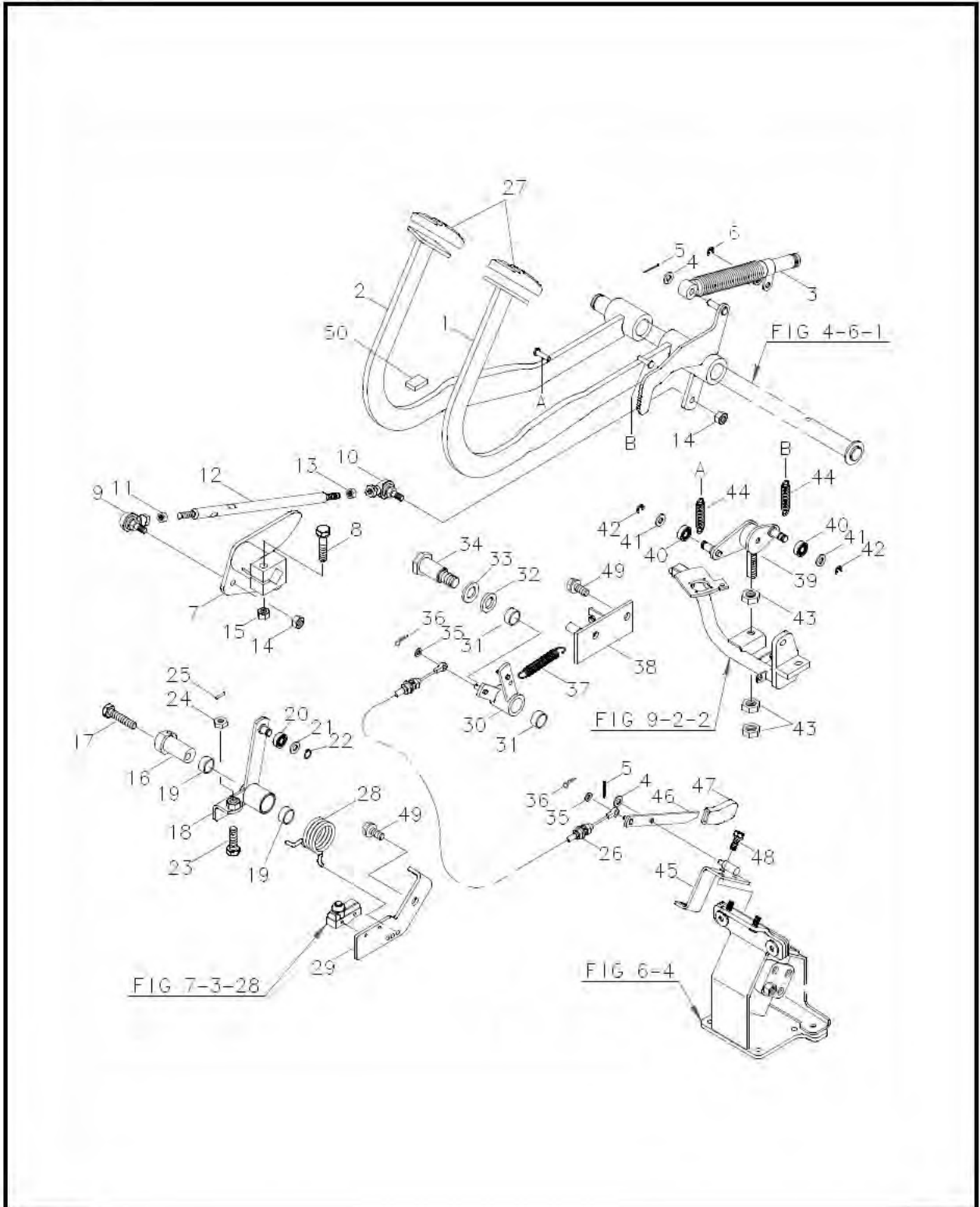
HST CONTROL(292)

FIG. 3-9

KEY NO.	PART NO.	PART NAME & DESCRIPTION		MODEL & QTY		APPLI. NO.	REMARK
				330HT	360HT		
1	A1291215	PEDAL, FORWARD		1	1		
2	A1291216	PEDAL, BACKWARD		1	1		
3	A1291238	DAMPER		1	1		
4	S363080013	WASHER, PLATE	Φ8.4xΦ15.5x1.6t	2	2		
5	S441202013	PIN, SPLIT	Φ1.8x20L	2	2		
6	S814006003	E-RING	0.8t	1	1		
7	A1291217	PLATE, CAM		1	1		
8	S154105533	BOLT, HEX W/WASHER	M10x1.25x55	1	1		
9-13	A1291220	FORWARD ROD ASSY		1	1		
9	A0731033R	END, ROD	M8x1.25	1	1		
10	A0731033L	END, ROD(L)	M8x1.25(L)	1	1		
11	S313080013	NUT,HEX	M8x1.25	1	1		
12	A1291219	ROD, HST CONT.		1	1		
13	A0610059	NUT,HEX(L)	M8x1.25(L)	1	1		
14	A1877079	NUT, LOCK	M8x1.25	2	2		
15	A0610277	NUT, LOCK	M10x1.25	1	1		
16	A1291224	SHAFT, CONTROL		1	1		
17	S154107033	BOLT, HEX W/WASHER	M10x1.25x70L	1	1		
18-25	A1291213	NEUTRAL ARM ASSY		1	1		
18	A1291206	ARM, NEUTRAL		1	1		
19	A0672320	BUSHING		2	2		
20	A0860002	BEARING, BALL	#6000ZZ	1	1		
21	S363100013	WASHER, PLATE	Φ1.8x20L	1	1		
22	S810010001	RIN, SNAP	Φ10x1.0t	1	1		
23	A1291257	BOLT, HEX	M10x1.25x35L	1	1		
24	S310100013	NUT, HEX	M10x1.25	1	1		
25	S446041812	PIN, SPLIT		1	1		
26	A1291212	WIRE, CRUISE		1	1		
27	A1291214	PAD, PEDAL		2	2		
28	A1291258	SPRING		1	1		
29	A1291210	BRACKET, WIRE		1	1		
30-31	A1291240	ARM, CRUISE CONTROL		1	1		
30	-	ARM, CRUISE CONTROL		1	1		
31	A0677615	BUSHING		2	2		
32	S361160013	WASHER, SPRING	M16	1	1		
33	S364160013	WASHER	Φ17xΦ30x3.0t	1	1		
34	A1291225	SHAFT, CRUISE		1	1		
35	S363060013	WASHER	Φ6.4xΦ11.5x1.6t	2	2		
36	S441162013	PIN, SPLIT	Φ1.4x20L	2	2		
37	A0691099	SPRING		1	1		

HST CONTROL (292)

FIG. 3-9



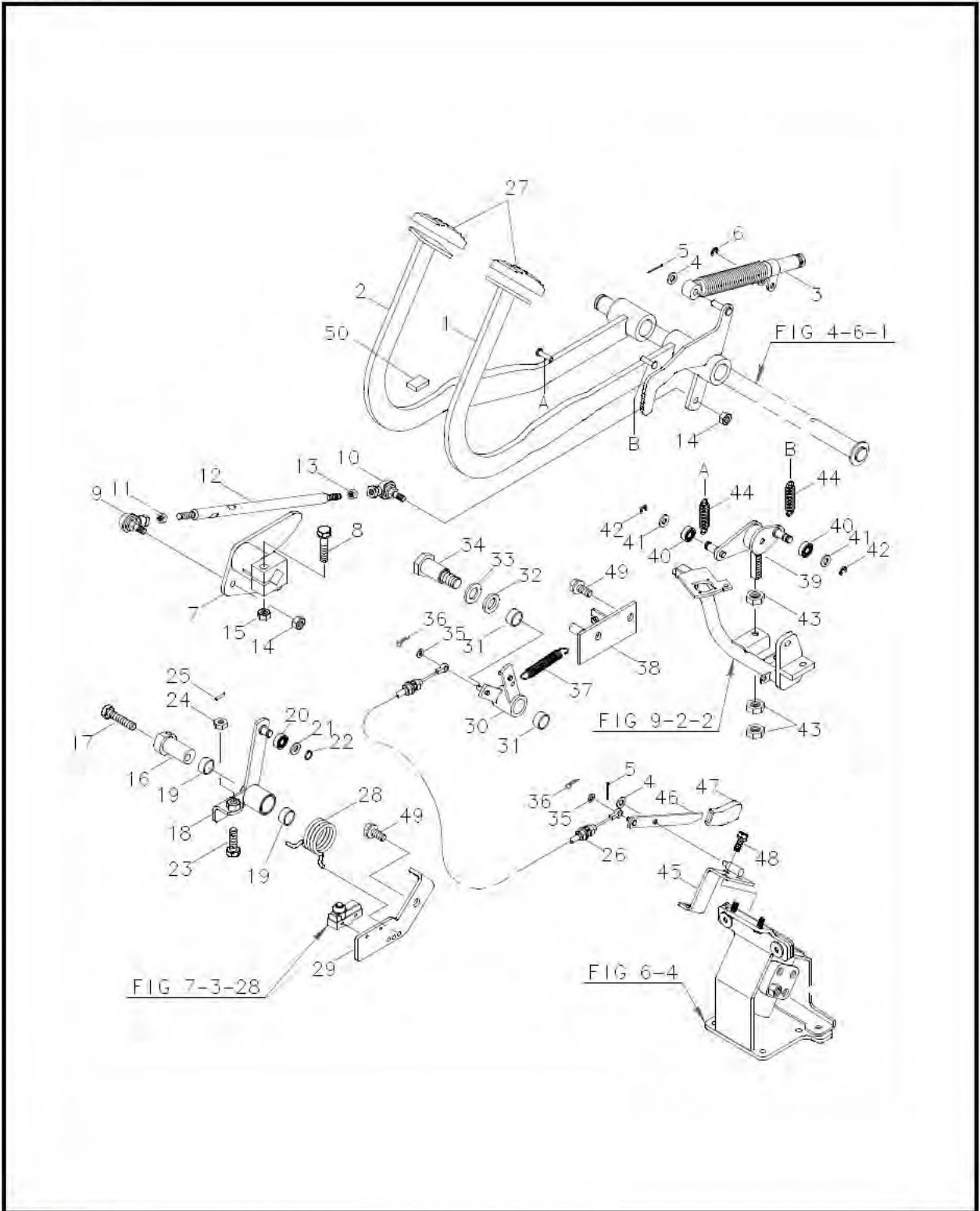
HST CONTROL(292)

FIG. 3-9

KEY NO.	PART NO.	PART NAME & DESCRIPTION		MODEL & QTY		APPLI. NO.	REMARK
				330HT	360HT		
38	A1291226	STOPPER, ARM		1	1		
39-42	A1291251	F/R INTERLOCK LINK ASSY		1	1		
39	-	LINK, F/R INTERLOCK		1	1		
40	A0860002	BEARING, BALL	#6000ZZ	2	2		
41	S363100013	WASHER, PLATE	Φ1.8x20L	2	2		
42	S814009003	RING, SNAP(E)	Φ9x0.8t	2	2		
43	S312140013	NUT, HEX	M14	3	3		
44	A1291252	SPRING		2	2		
45	A1291209	BRACKET, CRUISE		1	1		
46	A1291211	LEVER, CRUISE		1	1		
47	A5002309	GRIP		1	1		
48	S153082033	BOLT, HEX W/WASHER	M8x1.25x20L	2	2		
49	S154102033	BOLT, HEX W/WASHER	M10x1.25X20L	3	3		
50	A1291256	RUBBER		1	1		

HST CONTROL (292)

FIG. 3-9



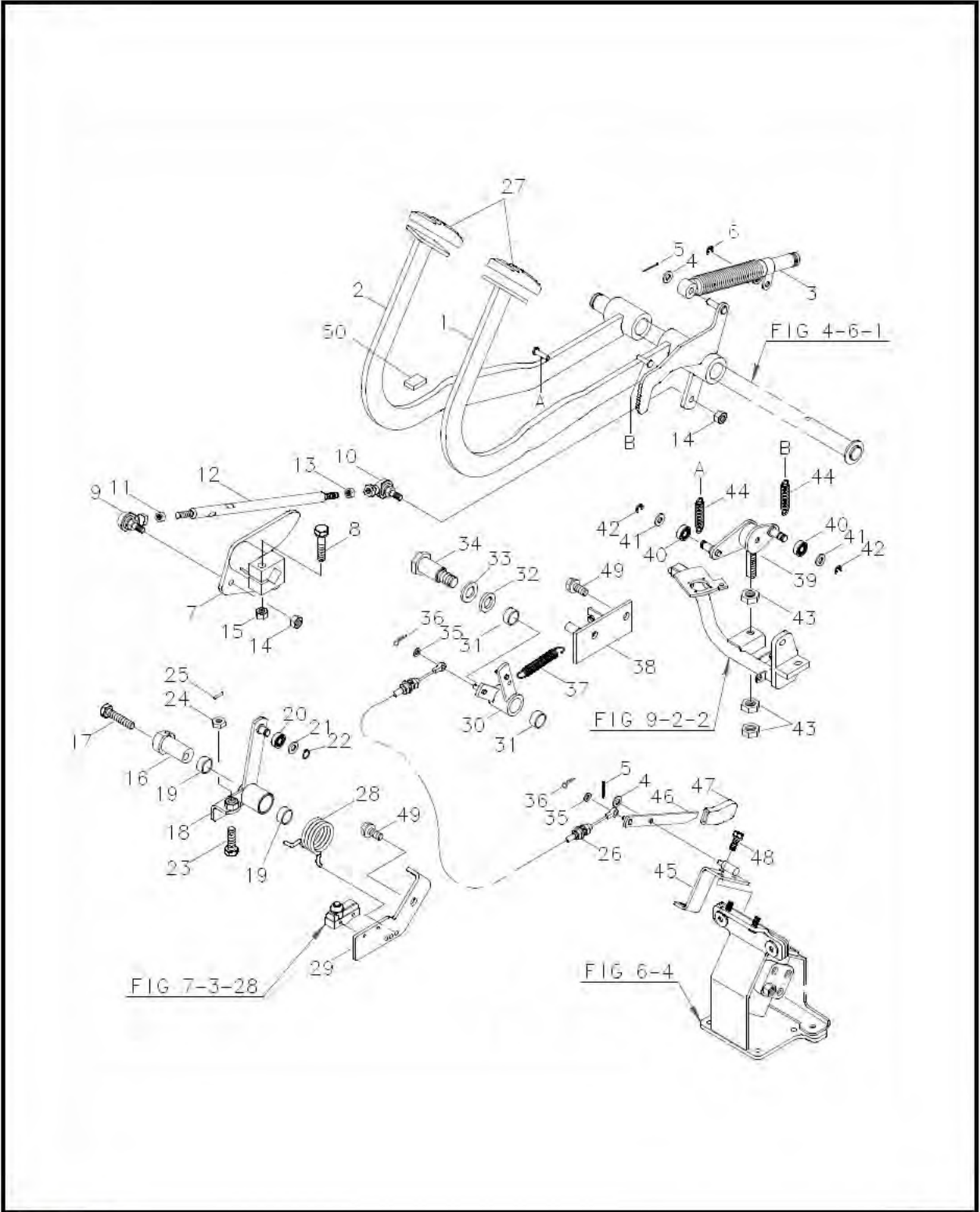
HST CONTROL(292)

FIG. 3-9

KEY NO.	PART NO.	PART NAME & DESCRIPTION	MODEL & QTY		APPLI. NO.	REMARK
			330HT	360HT		
1	A1291215	PEDAL, FORWARD	1	1		
2	A1291216	PEDAL, BACKWARD	1	1		
3	A1291238	DAMPER	1	1		
4	S363080013	WASHER, PLATE	2	2		Φ8.4xΦ15.5x1.6t
5	S441202013	PIN, SPLIT	2	2		Φ1.8x20L
6	S814006003	E-RING	1	1		0.8t
7	A1291217	PLATE, CAM	1	1		
8	S154105533	BOLT, HEX W/WASHER	1	1		M10x1.25x55
9-13	A1291220	FORWARD ROD ASSY	1	1		
9	A0731033R	END, ROD	1	1		M8x1.25
10	A0731033L	END, ROD(L)	1	1		M8x1.25(L)
11	S313080013	NUT, HEX	1	1		M8x1.25
12	A1291219	ROD, HST CONT.	1	1		
13	A0610059	NUT, HEX(L)	1	1		M8x1.25(L)
14	A1877079	NUT, LOCK	2	2		M8x1.25
15	A0610277	NUT, LOCK	1	1		M10x1.25
16	A1291224	SHAFT, CONTROL	1	1		
17	S154107033	BOLT, HEX W/WASHER	1	1		M10x1.25x70L
18-25	A1291213	NEUTRAL ARM ASSY	1	1		
18	A1291206	ARM, NEUTRAL	1	1		
19	A0672320	BUSHING	2	2		
20	A0860002	BEARING, BALL	1	1		#6000ZZ
21	S363100013	WASHER, PLATE	1	1		Φ1.8x20L
22	S810010001	RIN, SNAP	1	1		Φ10x1.0t
23	A1291257	BOLT, HEX	1	1		M10x1.25x35L
24	S310100013	NUT, HEX	1	1		M10x1.25
25	S446041812	PIN, SPLIT	1	1		
26	A1291212	WIRE, CRUISE	1	1		
27	A1291214	PAD, PEDAL	2	2		
28	A1291239	SPRING	1	1		
29	A1291210	BRACKET, WIRE	1	1		
30-31	A1291240	ARM, CRUISE CONTROL	1	1		
30	-	ARM, CRUISE CONTROL	1	1		
31	A0677615	BUSHING	2	2		
32	S361160013	WASHER, SPRING	1	1		M16
33	S364160013	WASHER	1	1		Φ17xΦ30x3.0t
34	A1291225	SHAFT, CRUISE	1	1		
35	S363060013	WASHER	2	2		Φ6.4xΦ11.5x1.6t
36	S441162013	PIN, SPLIT	2	2		Φ1.4x20L
37	A0691099	SPRING	1	1		

HST CONTROL (292)

FIG. 3-9



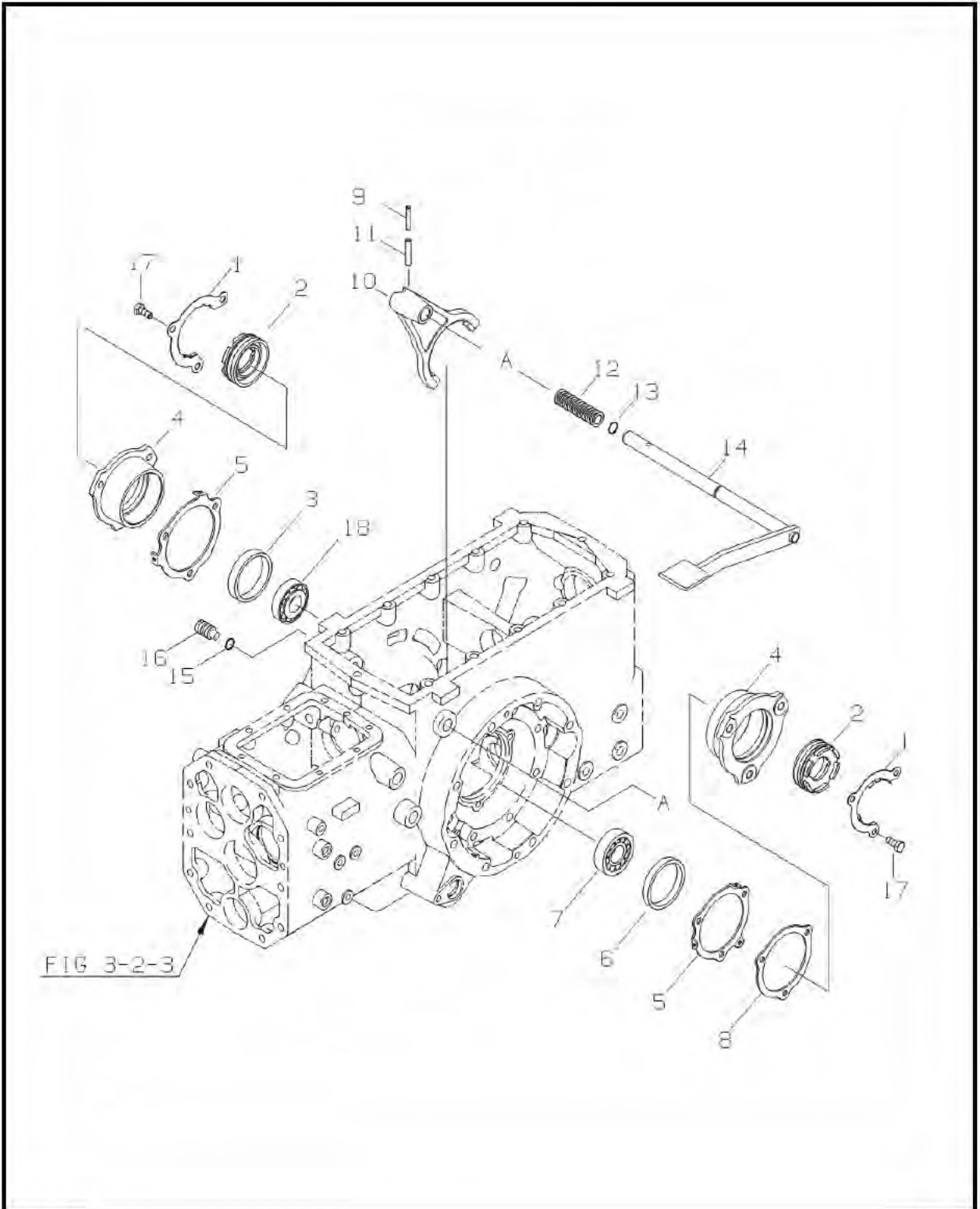
HST CONTROL(292)

FIG. 3-9

KEY NO.	PART NO.	PART NAME & DESCRIPTION		MODEL & QTY		APPLI. NO.	REMARK
				330HT	360HT		
38	A1291226	STOPPER, ARM		1	1		
39-42	A1291251	F/R INTERLOCK LINK ASSY		1	1		
39	-	LINK, F/R INTERLOCK		1	1		
40	A0860002	BEARING, BALL	#6000ZZ	2	2		
41	S363100013	WASHER, PLATE	Φ1.8x20L	2	2		
42	S814009003	RING, SNAP(E)	Φ9x0.8t	2	2		
43	S312140013	NUT, HEX	M14	3	3		
44	A1291252	SPRING		2	2		
45	A1291209	BRACKET, CRUISE		1	1		
46	A1291211	LEVER, CRUISE		1	1		
47	A5002309	GRIP		1	1		
48	S153082033	BOLT, HEX W/WASHER	M8x1.25x20L	2	2		
49	S154102033	BOLT, HEX W/WASHER	M10x1.25X20L	3	3		
50	A1291256	RUBBER		1	1		

DIFF- LOCK(310)

FIG. 4-1



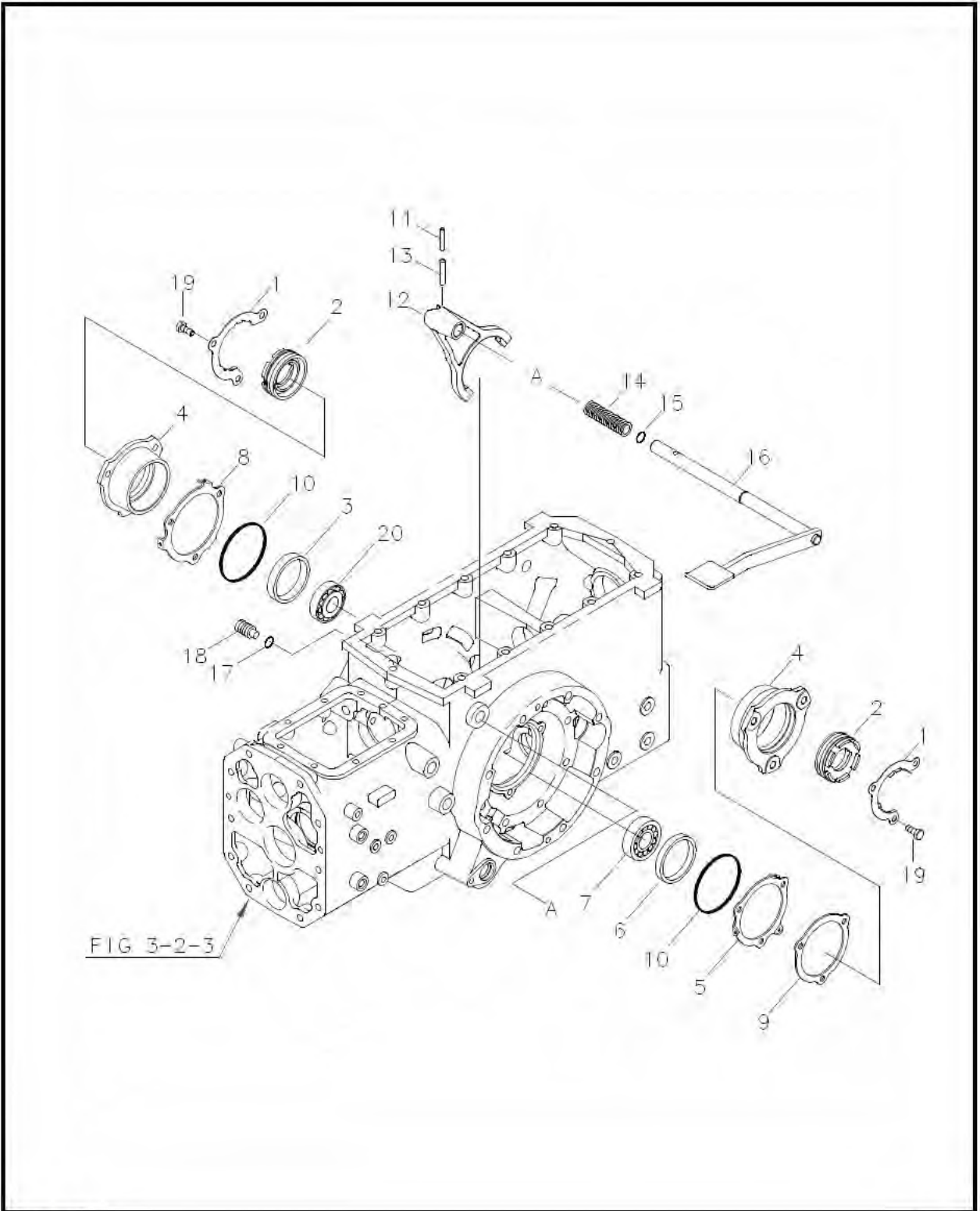
DIFF- LOCK(310)

FIG. 4-1

KEY NO.	PART NO.	PART NAME & DESCRIPTION		MODEL & QTY		APPLI. NO.	REMARK
				330HT	360HT		
1	A1326050	PLATE, LOCK		2	2		
2	3A1326005	GRAND NUT	M85x1.5	2	2		
3	A1326066	SPACER	Φ77xΦ89.1x8t	1	1		
4	A1326048	SUPPORT, DIFF		2	2		
5	A1650074	HOLDER, SPRING(LH)		2	2		
6	A1326065	SPACER	Φ77xΦ89.1x141t	1	1		
7	A0862100	BEARING, BALL	#6210	1	1		
8	A1326064	SPACER, DIFF		1	1		
9	S446054012	PIN, SPRING	Φ5x40	1	1		
10	A1326063	FORK, DIFF		1	1		
11	S446084012	PIN, SPRING	Φ8x40	1	1		
12	A1326047	SPRING		1	1		
13	S801016010	O-RING(G)	Φ16xW2.4	1	1		
14	A1326062	PEDAL, DIFF		1	1		
15	S801021010	O-RING(G)	Φ21xW2.4	1	1		
16	A1326046	SCREW, ADJUST	M22x1.5	1	1		
17	S165102543	BOLT, HEX	M10x1.25x25L	6	6		
18	A26799980	BEARING, TAPER ROLLER	#30210	1	1		

DIFF- LOCK(310)

FIG. 4-1



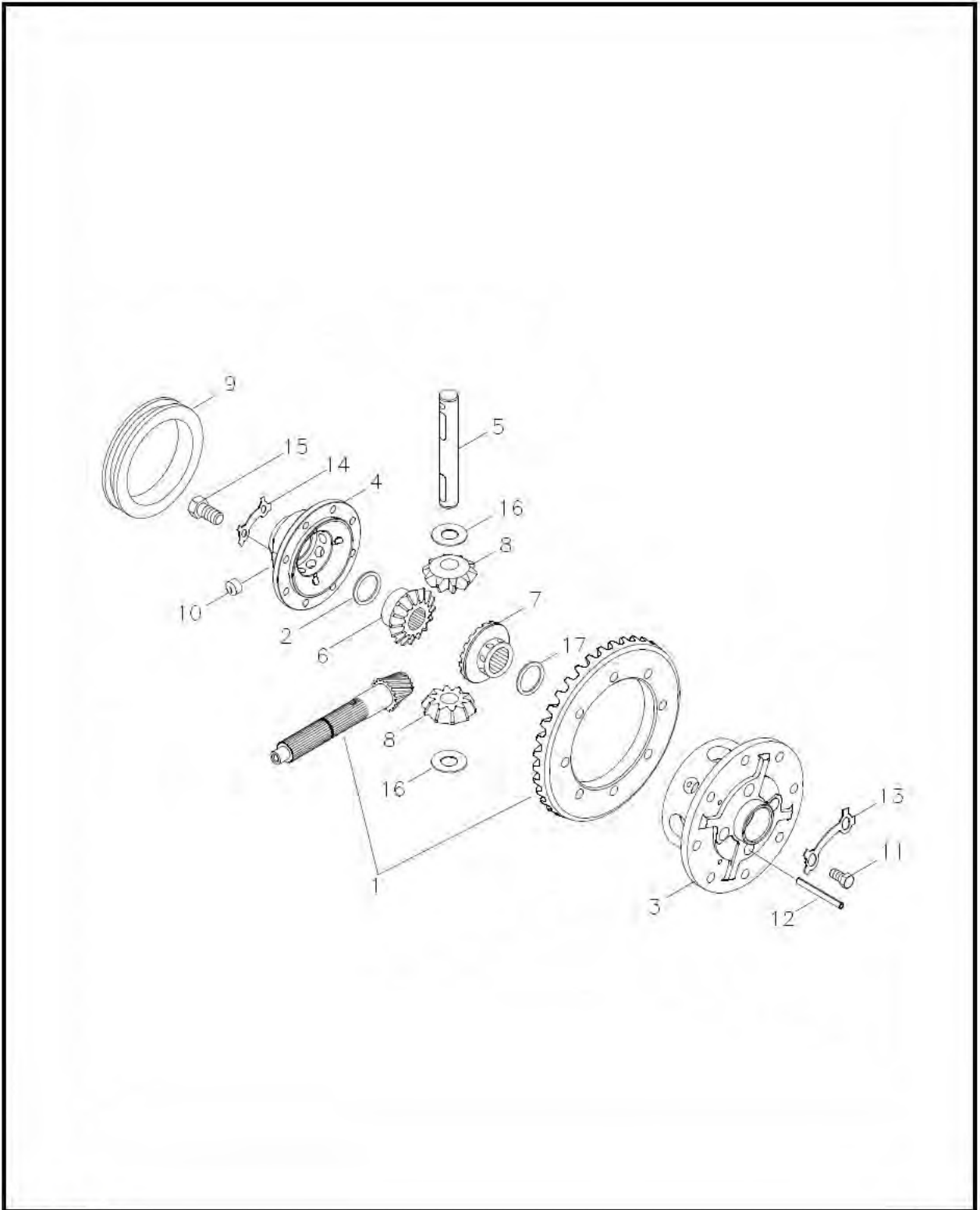
DIFF- LOCK(310)

FIG. 4-1

KEY NO.	PART NO.	PART NAME & DESCRIPTION		MODEL & QTY		APPLI. NO.	REMARK
				330HT	360HT		
1	A1326050	PLATE, LOCK		2	2		
2	3A1326005	GRAND NUT	M85x1.5	2	2		
3	A1326066	SPACER	Φ77xΦ89.1x8t	1	1		
4	A1326048	SUPPORT, DIFF		2	2		
5	A1650074	HOLDER, SPRING(LH)		1	1		
6	A1326065	SPACER	Φ77xΦ89.1x141t	1	1		
7	A0862100	BEARING, BALL	#6210	1	1		
8	A1650096	HOLDER, SPRING(RH)		1	1		
9	A1326064	SPACER, DIFF		1	1		
10	S802110010	O-RING(G)	Φ110xW3.1	1	1		
11	S446054012	PIN, SPRING	Φ5x40	1	1		
12	A1326063	FORK, DIFF		1	1		
13	S446084012	PIN, SPRING	Φ8x40	1	1		
14	A1326047	SPRING		1	1		
15	S801016010	O-RING(G)	Φ16xW2.4	1	1		
16	A1326062	PEDAL, DIFF		1	1		
17	S801021010	O-RING(G)	Φ21xW2.4	1	1		
18	A1326046	SCREW, ADJUST	M22x1.5	1	1		
19	S165102543	BOLT, HEX	M10x1.25x25L	6	6		
20	A26799980	BEARING, TAPER ROLLER	#30210	1	1		

REAR DIFERENTIAL(320)

FIG. 4-2



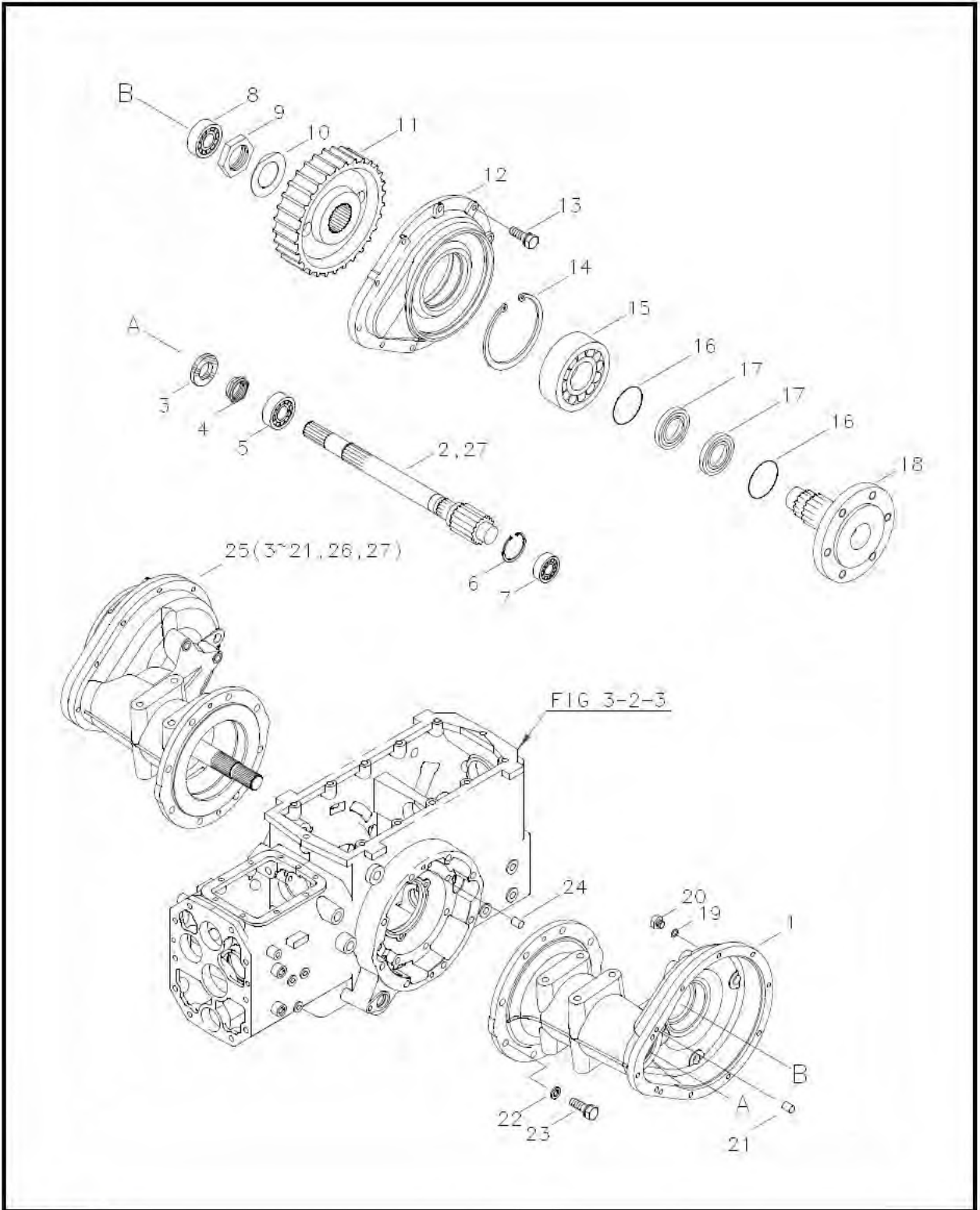
REAR DIFERENTIAL(320)

FIG. 4-2

KEY NO.	PART NO.	PART NAME & DESCRIPTION		MODEL & QTY		APPLI. NO.	REMARK
				330HT	360HT		
1-18	A1324111	DIFF ASSY		1	1		
1	A1324112	RING & PINION GEAR SET		1	1		
2	3A1324003	WASHER, THRUST (LH)	Φ55xΦ74x0.8t	1	1		
3	A1324091	CASE, DIFF. (1)		1	1		
4	A1324074	CASE, DIFF. (2)		1	1		
5	A1324075	SHAFT (1)		1	1		
6	A1324061	GEAR, DIFF. SIDE (LH)	16T	1	1		
7	A1324062	GEAR, DIFF. SIDE (RH)		1	1		
8	A1324060	GEAR, PINION. MATE	10T	2	2		
9	3A1324007	HUB, DIFF-LOCK		1	1		
10	3A1324014	ROLLER	Φ12x1.5	10	10		
11	A1324090	BOLT, HEX	M12x1.25x23L	8	8		
12	S446065010	PIN, SPRING	Φ6x50L	1	1		
13	3A1324012	PLATE, LOCKING	1.0t	4	4		
14	A1324079	WASHER, LOCK(2)	1.0t	4	4		
15	S105082043	BOLT, HEX	M8x1.25x20L	8	8		
16	3A1970123	WASHER, THRUST	0.8t	2	2		
17	3A1970122	WASHER, THRUST	0.8t	1	1		

REAR AXLE(480,481)

FIG. 4-3



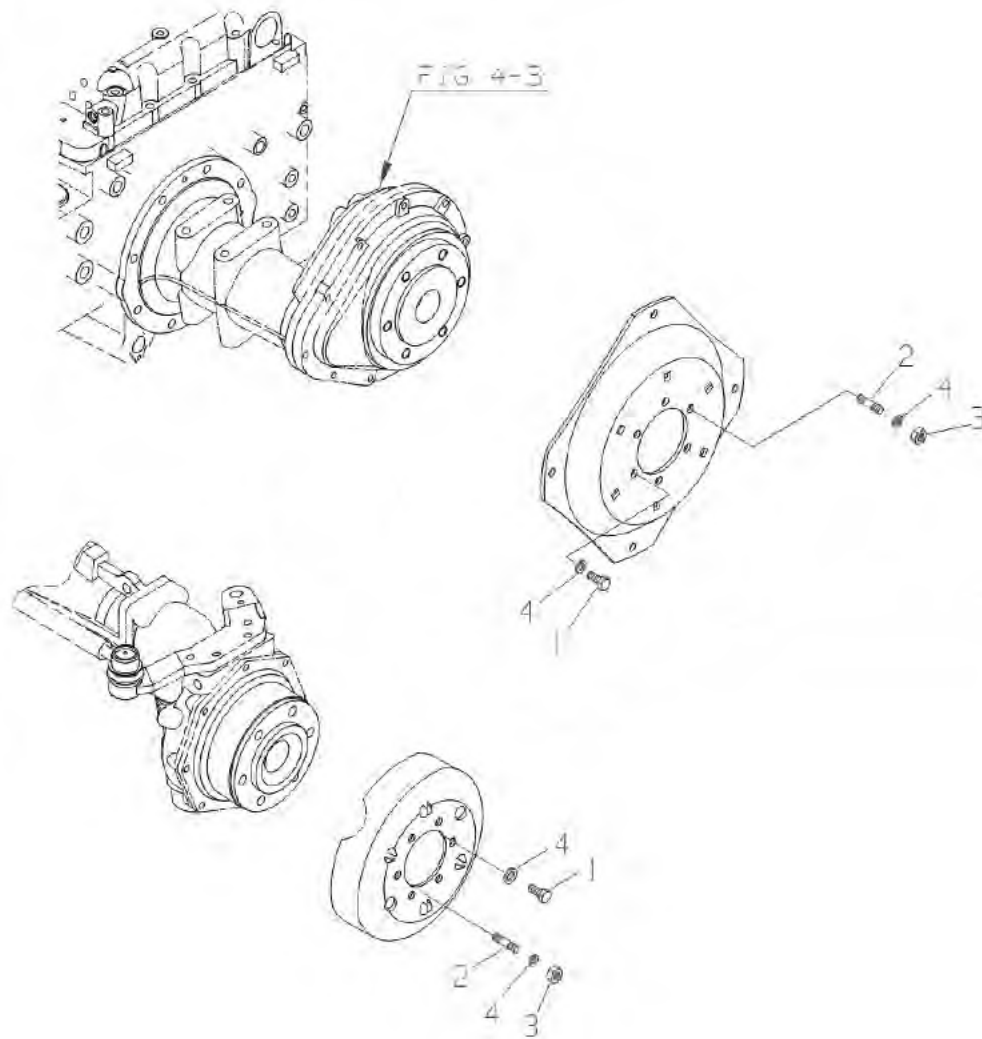
REAR AXLE(480,481)

FIG. 4-3

KEY NO.	PART NO.	PART NAME & DESCRIPTION		MODEL & QTY		APPLI. NO.	REMARK
				330HT	360HT		
1-21	A1480095	F/DRIVE ASSY(LH)		1	1		
1	A1480097	CASE, FINAL DRIVE(LH)		1	1		
2	A1481061	PINION, FINAL DRI.(18T,R)		2	2		
3	A1480102	SEAL, OIL	TC38558	2	2		
4	A1481040	NUT, LOCK	M40x1.0	2	2		
5	A0863080	BEARING, BALL	#6308	2	2		
6	S811090001	RING, SNAP	φ90x3t	2	2		
7	A0863070	BEARING, BALL	#6307	2	2		
8	A0863090	BEARING, BALL	#6309	2	2		
9	A1481041	NUT, LOCK	M55x1.5	2	2		
10	A1481042	PLATE, LOCK	φ56xφ96x1.5t	2	2		
11	A1481060	GEAR, F/DRIVE(65T,L)		2	2		
12	A1480067	COVER, F/DRIVE		2	2		
13	S154104033	BOLT, HEX	M10x1.25x40L	20	20		
14	S811140001	RING, SNAP	φ14x4t	2	2		
15	A0863130	BEARING, BALL	#6313	2	2		
16	A1480058	O-RING	φ117xW7	4	4		
17	A1480057	RETAINER		4	4		
18	A1481039	SHAFT, REAR AXLE		2	2		
19	A1026360	SEAL, OIL	φ20xφ26x1.5t	2	2		
20	A0610281	PLUG, DRAIN	M20x105	2	2		
21	S421102010	PIN, DOWEL	φ15x20L	2	2		
22	S361140013	WASHER, SPRING	φ14.2xφ24.5x3.5t	16	16		
23	S101144043	BOLT, HEX	M14x2.0x40	16	16		
24	S423102010	PIN, DOWEL	φ10x20L	4	4		
25	A1480096	F/DRV ASSY(RH)		1	1		
26	A1480098	CASE, FINAL DRV(RH)		1	1		
27	A1481062	PINION, F/DRIVE(18T,R)		1	1		

FRONT & REAR WHEEL(490)

FIG. 4-4A



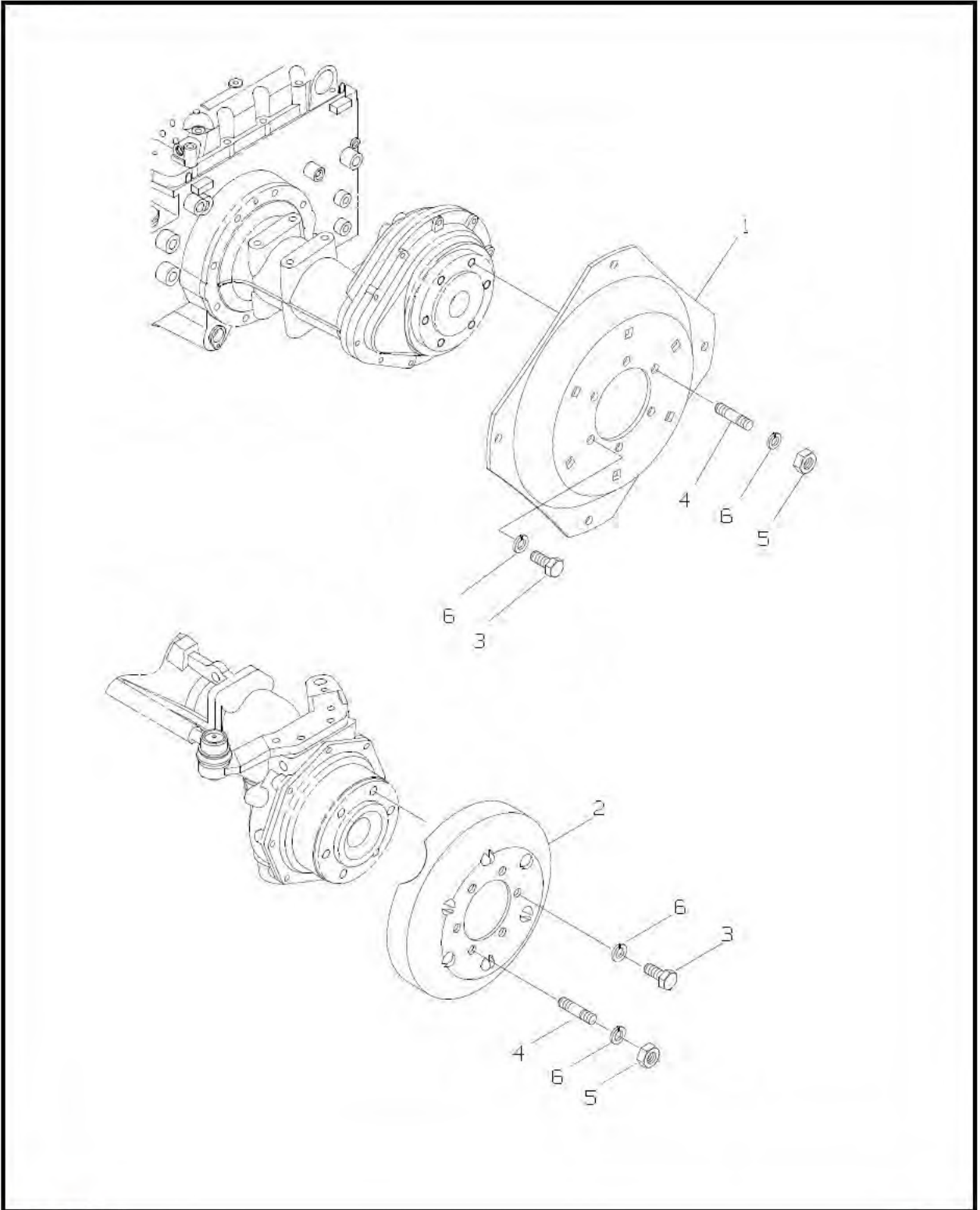
FRONT & REAR WHEEL(490)

FIG. 4-4A

KEY NO.	PART NO.	PART NAME & DESCRIPTION		MODEL & QTY		APPLI. NO.	REMARK
				330HT	360HT		
1	S103163043	BOLT, HEX.	M16x1.5x30L	16	16		
2	S167162523	BOLT, STUD	M16x1.5x25L	8	8		
3	S302160043	NUT, HEX. 1-TY.	M16x1.5	8	8		
4	S361160013	WASHER, SPR. 1-TY.	D28/16.2x4T	24	24		

FRONT & REAR WHEEL(490)

FIG. 4-4



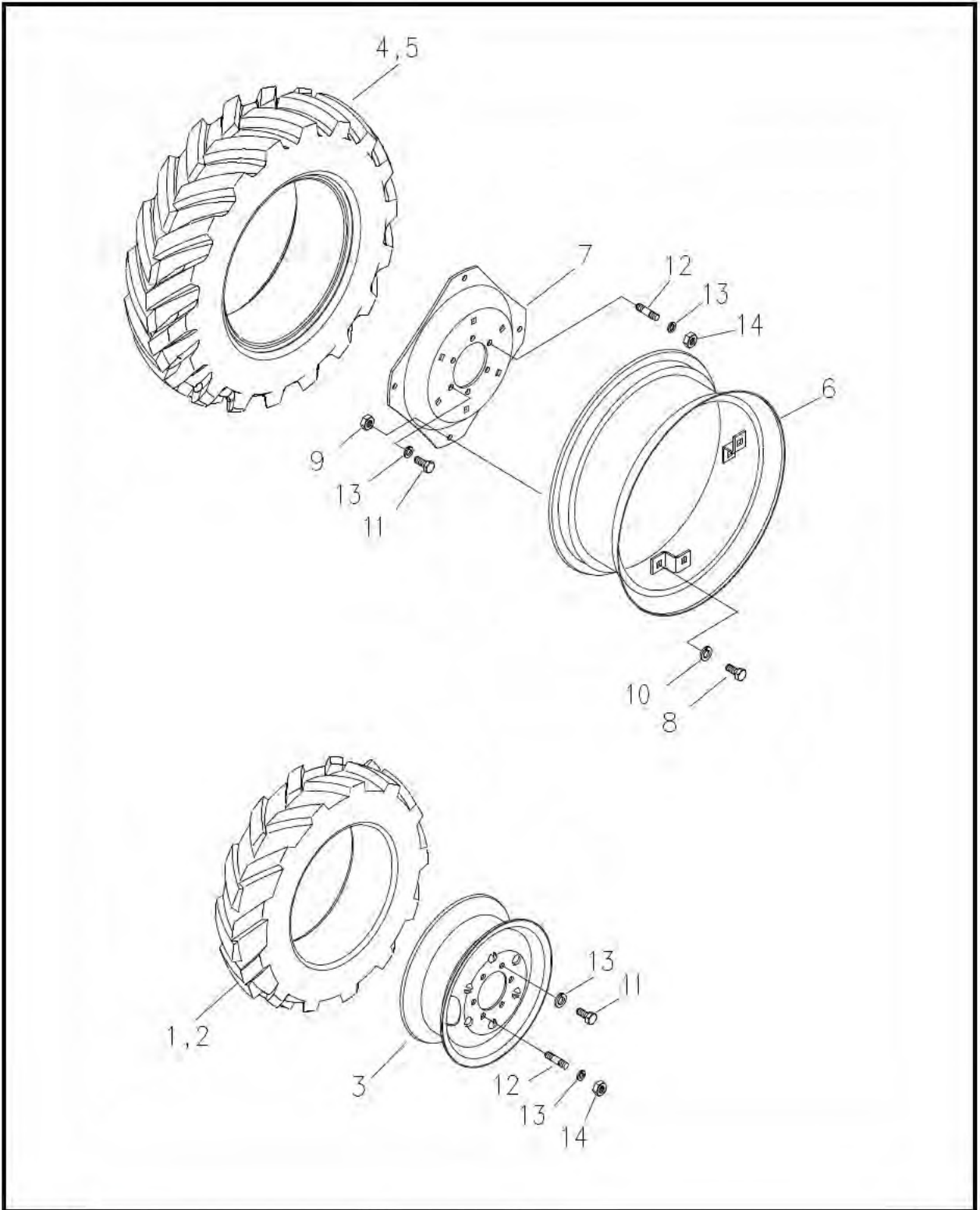
FRONT & REAR WHEEL(490)

FIG. 4-4

KEY NO.	PART NO.	PART NAME & DESCRIPTION		MODEL & QTY		APPLI. NO.	REMARK
				330HT	360HT		
1	A1490186	DISK REAR		2	2		
2	A1490187	DISK FRONT		2	2		
3	S103163043	BOLT, HEX.	M16x1.5x30L	16	16		
4	S167162523	BOLT, STUD	M16x1.5x25L	8	8		
5	S302160043	NUT, HEX. 1-TY.	M16x1.5	8	8		
6	S361160013	WASHER, SPR. 1-TY.	D28/16.2x4T	24	24		

FRONT & REAR WHEEL(490)

FIG. 4-4B



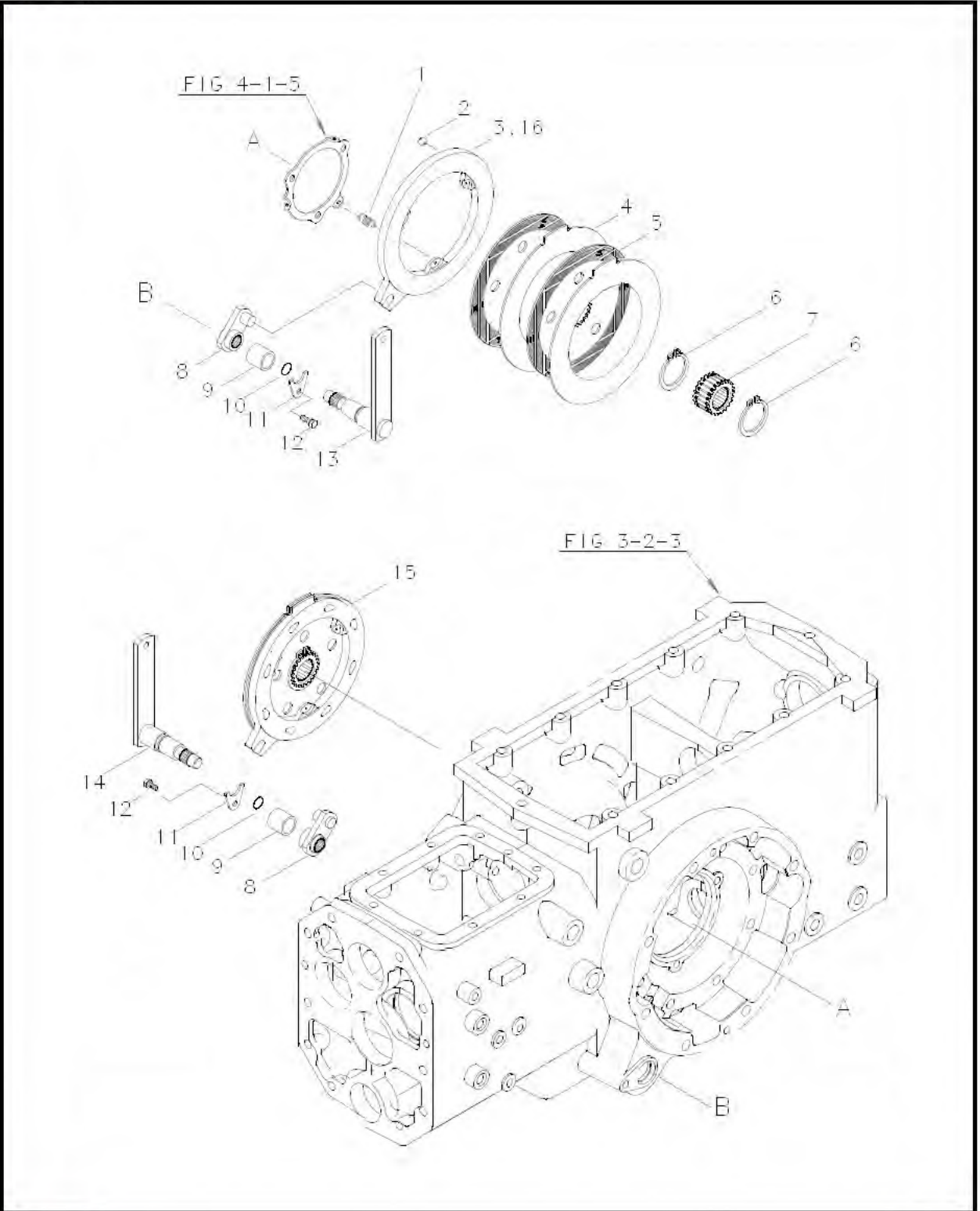
FRONT & REAR WHEEL(490)

FIG. 4-4B

KEY NO.	PART NO.	PART NAME & DESCRIPTION		MODEL & QTY		APPLI. NO.	REMARK
				330HT	360HT		
1~2	A1490026	FRONT TIRE ASSY	8-16(4PR)	2	2		
1	A01494003	TUBE FRONT		1	1		
2	A01494002	TIRE FRONT		1	1		
3	A1490207	FRONT RIM ASSY		2	2		
4~5	A1490027	REAR TIRE ASSY	12.4-24(8PR)	2	2		
4	A00010525	TUBE REAR		1	1		
5	A00010524	TIRE REAR		1	1		
6~10	A1490022	REAR RIM ASSY		2	2		
6	A1490023	RIM REAR		1	1		
7	A1490024	DISK REAR		1	1		
8	A1970077	BOLT, HEX		4	4		
9	S306160013	NUT, HEX		4	4		
10	S361160013	WASHER, SPR.		4	4		
11	S103163043	BOLT, HEX	M16x1.5x30L	16	16		
12	S167162523	BOLT, STUD	M16x1.5x25L	8	8		
13	S361160013	WASHER, SPR.	D28/16.2x4T	24	24		
14	S302160043	NUT, HEX	M16x1.5	8	8		

BRAKE(650)

FIG. 4-5



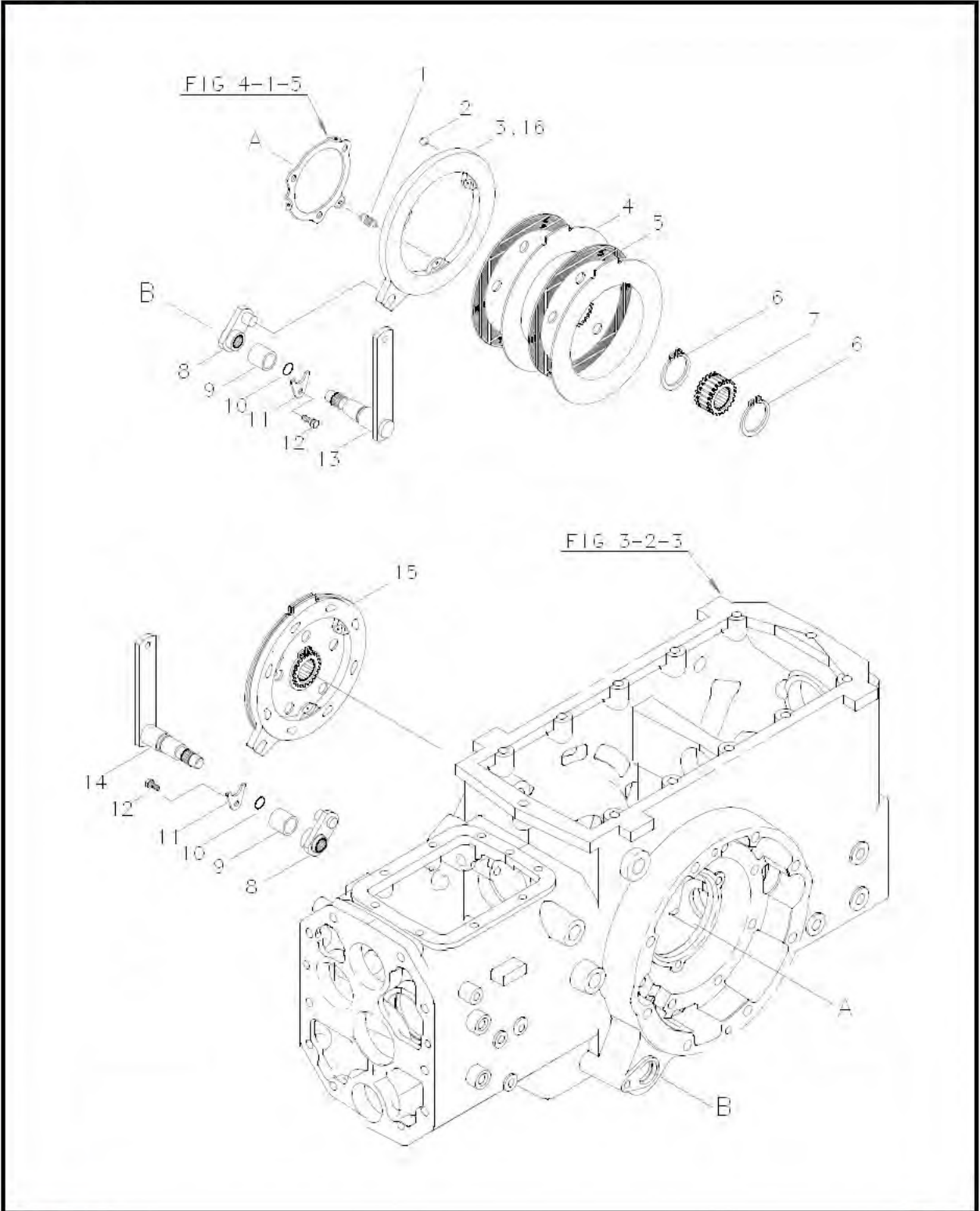
BRAKE(650)

FIG. 4-5

KEY NO.	PART NO.	PART NAME & DESCRIPTION		MODEL & QTY		APPLI. NO.	REMARK
				330HT	360HT		
1~7	A1650072	BRAKE ASSY(LH)		1	1		
1	3A1653010	SPRING	Φ2	6	6		
2	3A1653007	BALL	1/2"	16	16		
3	A1650077	PLATE, CAM(LH)		1	1		
4	A1650107	PLATE, PRESSURE		4	4		
5	A1653063	PLATE, FRICTION		4	4		
6	S810058001	RING, SNAP	Φ58x2t	4	4		
7	A1650078	BOSS, SPLINE		2	2		
8	A1650079	INNER ARM, BRAKE		2	2		
9	A0677815	BUSHING, DU	Φ25xΦ28x15L	2	2		
10	S801025010	O-RING	Φ25xW2.4	2	2		
11	A1650091	PLATE, BRAKE LEVER		2	2		
12	S154102033	BOLT, HEX	M10x1.25x20L	2	2		
13	A1650094	LEVER, BRAKE(LH)		1	1		
14	A1650095	LEVER, BREKE(RH)		1	1		
15	A1650071	BRAKE ASSY(RH)		1	1		
16	A1650076	PLATE, CAM(RH)		1	1		

BRAKE(650)

FIG. 4-5



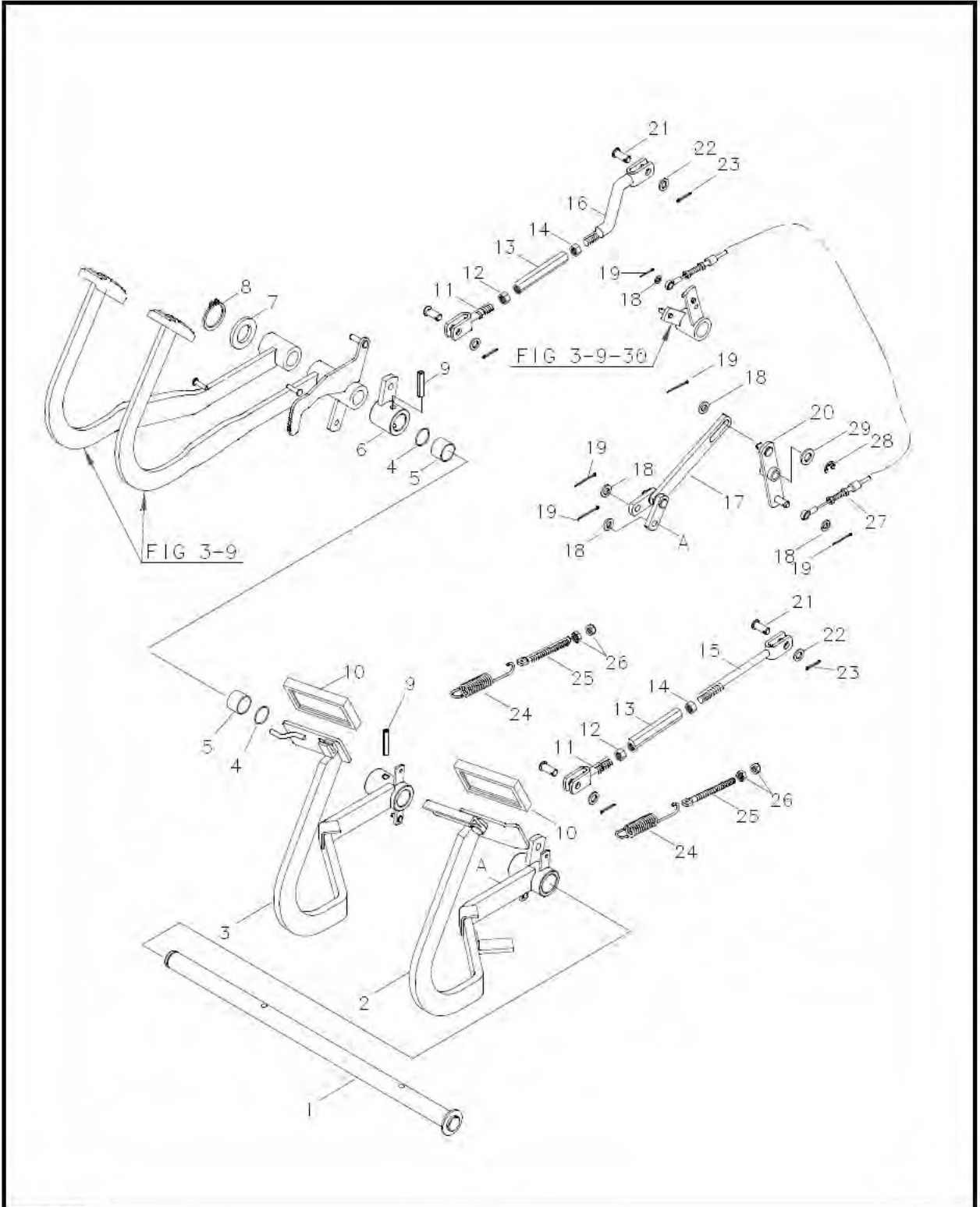
BRAKE(650)

FIG. 4-5

KEY NO.	PART NO.	PART NAME & DESCRIPTION		MODEL & QTY		APPLI. NO.	REMARK
				330HT	360HT		
1~7	A1650072	BRAKE ASSY(LH)		1	1		
1	3A1653010	SPRING	φ2	6	6		
2	3A1653007	BALL	1/2"	16	16		
3	A1650077	PLATE, CAM(LH)		1	1		
4	A1653065	PLATE, PRESSURE		4	4		
5	A1653063	PLATE, FRICTION		4	4		
6	S810058001	RING, SNAP	φ58x2t	4	4		
7	A1650078	BOSS, SPLINE		2	2		
8	A1650079	INNER ARM, BRAKE		2	2		
9	A0677815	BUSHING, DU	φ22xφ25x21L	2	2		
10	S801022010	O-RING	φ22xW2.4	2	2		
11	A1650091	PLATE, BRAKE LEVER		2	2		
12	S154102033	BOLT, HEX	M10x1.25x20L	2	2		
13	A1650094	LEVER, BRAKE(LH)		1	1		
14	A1650095	LEVER, BREKE(RH)		1	1		
15	A1650071	BRAKE ASSY(RH)		1	1		
16	A1650076	PLATE, CAM(RH)		1	1		

BRAKE PEDAL (670)

FIG. 4-6



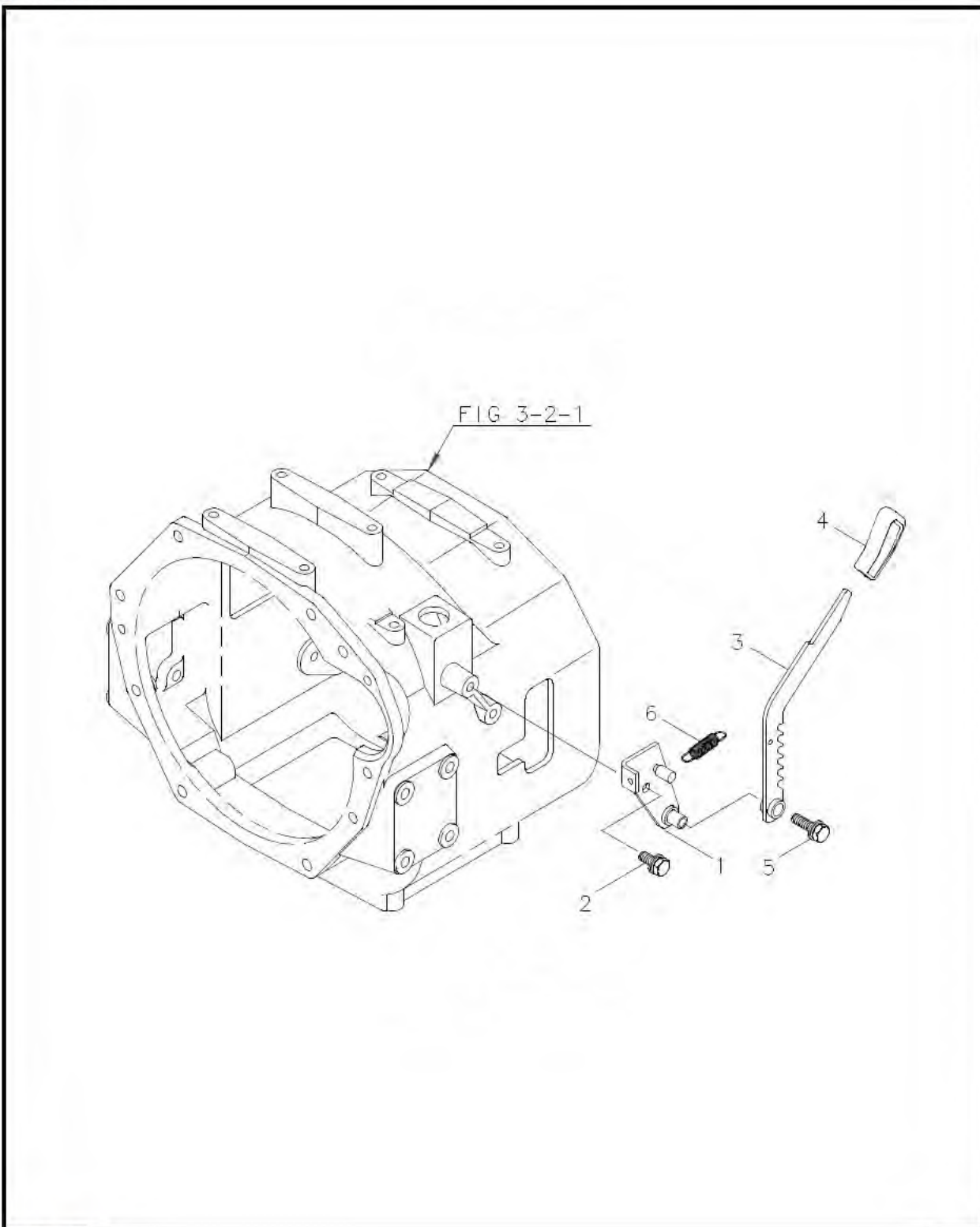
BRAKE PEDAL(670)

FIG. 4-6

KEY NO.	PART NO.	PART NAME & DESCRIPTION	MODEL & QTY		APPLI. NO.	REMARK
			330HT	360HT		
1	A1670249	SHAFT, BRAKE PEDAL	1	1		
2	A1670247	PEDAL, BRAKE (LH)	1	1		
3	A1670248	PEDAL, BRAKE (RH)	1	1		
4	S801025010	O-RING φ25xW3.5	2	2		
5	A1970203	BUSHING φ25xφ28x20L	2	2		
6	A1670240	ARM, BRAKE	1	1		
7	S364240013	WASHER, PLAIN φ25xφ44x4.0t	1	1		
8	S810025001	RING, SNAP φ25x1.2t	1	1		
9	S446084012	PIN, SPRING φ8x40L	2	2		
10	A1670084	PAD, PEDAL	2	2		
11~15	A1670245	BRAKE ROD ASSY(LH)	1	1		
11	A1670243	ROD B, BRAKE	2	2		
12	S312100013	NUT, HEX M10x1.25	2	2		
13	A1260078	ADJUST	2	2		
14	A0610072	NUT(L), HEX M10x1.25(L)	2	2		
15	A1670242	ROD A, BRAKE	1	1		
11~14,16	A1670246	BRAKE ROD ASSY(RH)	1	1		
16	A1670244	ROD C, BRAKE	1	1		
17	A1670259	LINK2, CRUISE	1	1		
18	S363060013	WASHER, PLAIN φ6.4xφ11.5x1.6t	5	5		
19	S441162013	PIN, CLIP	5	5		
20	A1670258	LINK1, CRUISE	1	1		
21	A1670118	PIN, CLEVIS φ10x26L	4	4		
22	S363100013	WASHER, PLAIN φ10.5xφ18x2.0t	4	4		
23	S441302013	PIN, COTTER φ3.0x20L	4	4		
24	A1670288	SPRING	2	2		
25	A1260073	ADJUSTER M8x1.25	2	2		
26	S301080043	NUT, HEX M8x1.25	4	4		
27	A1670260	WIRE, CRUISE	1	1		
28	S814006003	RING, SNAP(E) φ6x0.8t	1	1		
29	S363080013	WASHER, PLAIN φ8.4xφ15.5x1.6t	1	1		

PARKING BRAKE LEVER(670)

FIG. 4-7



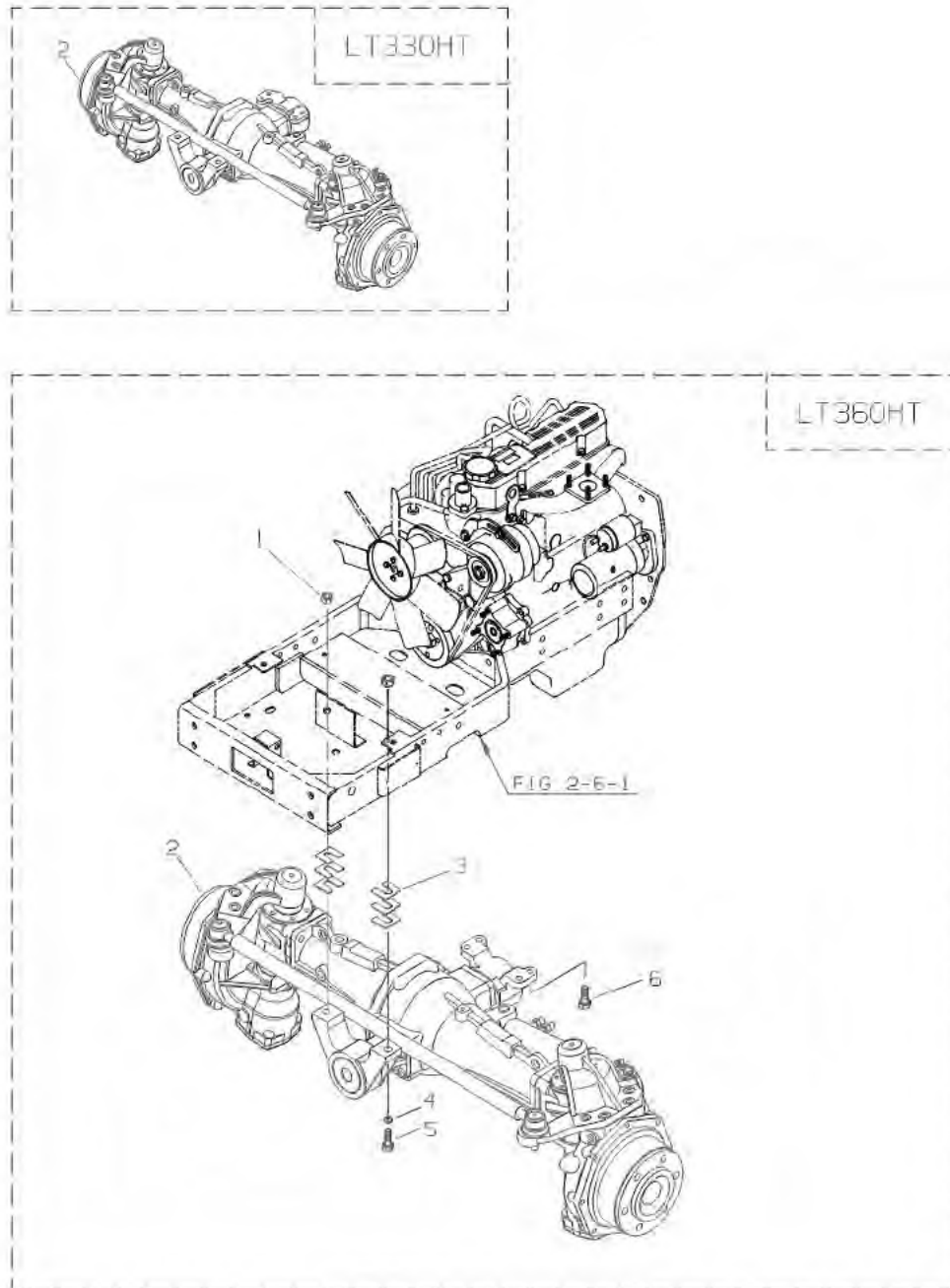
PARKING BRAKE LEVER(670)

FIG. 4-7

KEY NO.	PART NO.	PART NAME & DESCRIPTION		MODEL & QTY		APPLI. NO.	REMARK
				330HT	360HT		
1	A1670241	BRACKET		1	1		
2	S156102533	BOLT, HEX. W/WASHER	M10x1.25x25L	1	1		
3	A1670239	RATCHET, PARKING		1	1		
4	A1970241	GRIP		1	1		
5	S156103533	BOLT, HEX. W/WASHER	M10x1.25x35L	1	1		
6	A0691095	SPRING		1	1		

FRONT AXLE ASSY(400)

FIG. 5-1



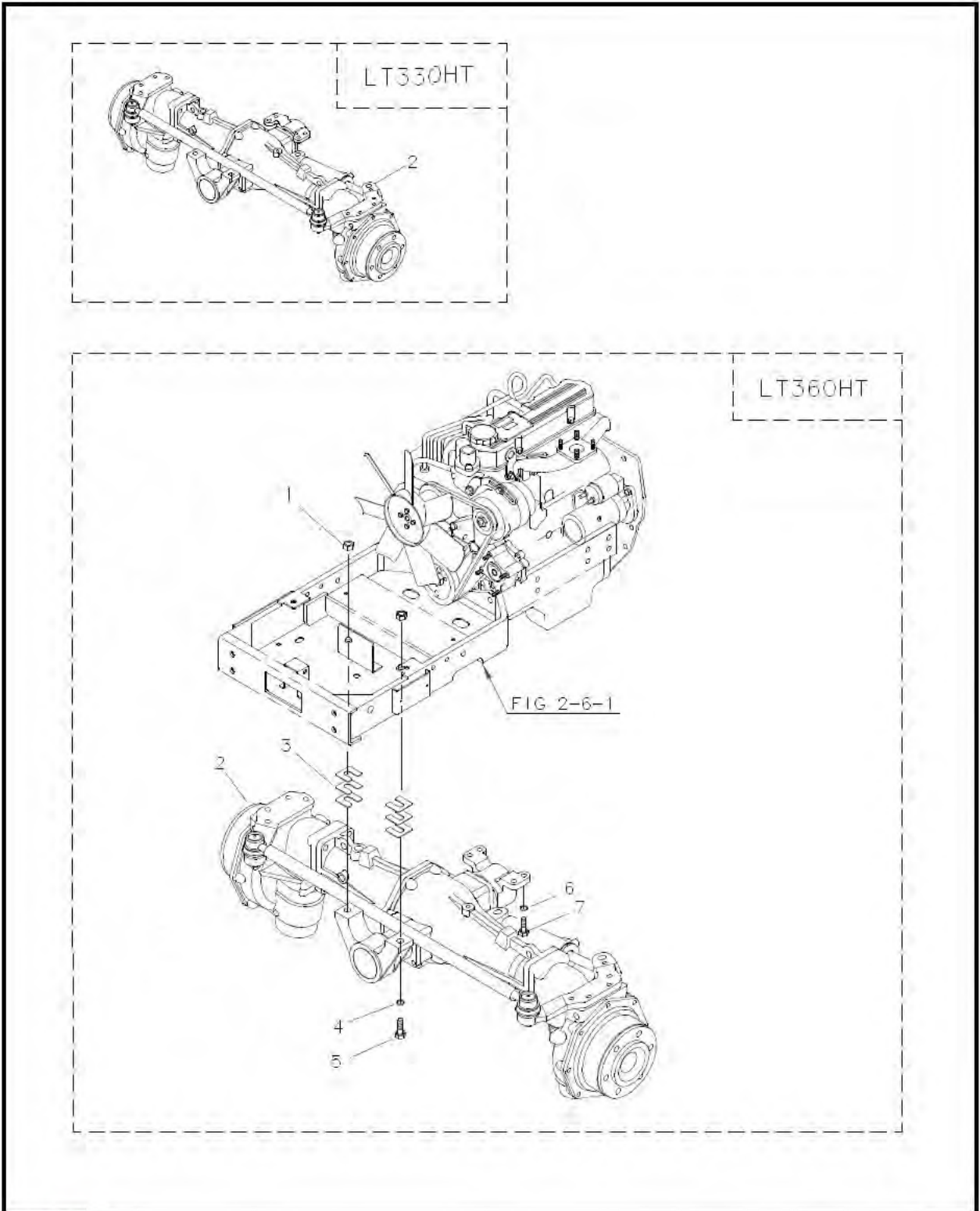
FRONT AXLE ASSY(400)

FIG. 5-1

KEY NO.	PART NO.	PART NAME & DESCRIPTION		MODEL & QTY		APPLI. NO.	REMARK
				330HT	360HT		
1	A1400129	NUT, LOCK	M16×1.5	2	2		
2	A1400287	FRONT AXLE ASSY		*	1		
	A1400301	FRONT AXLE ASSY		1	*		
3	A1400130	SHIM	0.4t	AR	AR		
	A1400131	SHIM	1.2t	AR	AR		
	A1400132	SHIM	2.3t	AR	AR		
4	S361160013	WASHER, SPRING	Φ16.2×Φ28×4.0t	2	2		
5	S103164543	BOLT, HEX	M16×1.5×45L	2	2		
6	S154123533	BOLT, HEX	M12×1.25	4	4		

FRONT AXLE ASSY(400)

FIG. 5-1



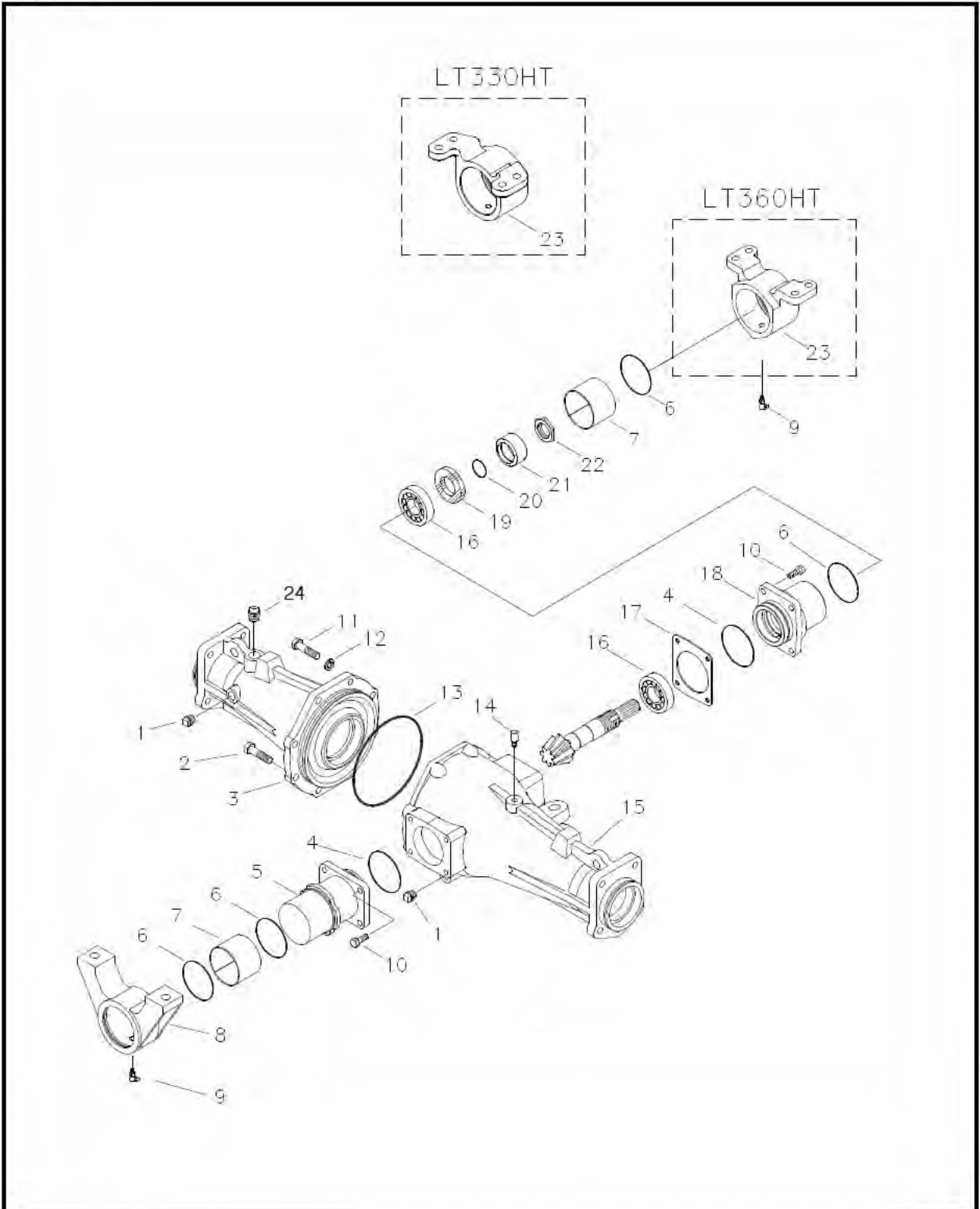
FRONT AXLE ASSY(400)

FIG. 5-1

KEY NO.	PART NO.	PART NAME & DESCRIPTION		MODEL & QTY		APPLI. NO.	REMARK
				330HT	360HT		
1	A1400129	NUT, LOCK	M16×1.5	2	2		
2	A1400165	FRONT AXLE ASSY		*	1		
	A1400256	FRONT AXLE ASSY		1	*		
3	A1400130	SHIM	0.4t	AR	AR		
	A1400131	SHIM	1.2t	AR	AR		
	A1400132	SHIM	2.3t	AR	AR		
4	S361160013	WASHER, SPRING	φ16.2×φ28×4.0t	2	2		
5	S103164543	BOLT, HEX	M16×1.5×45L	2	2		
6	S361120013	WASHER, SPRING	φ12.2×φ21.5×3.0t	4	4		
7	S107123543	BOLT, HEX	M12×1.25	4	4		

FRONT AXLE CASE(400)

FIG. 5-2



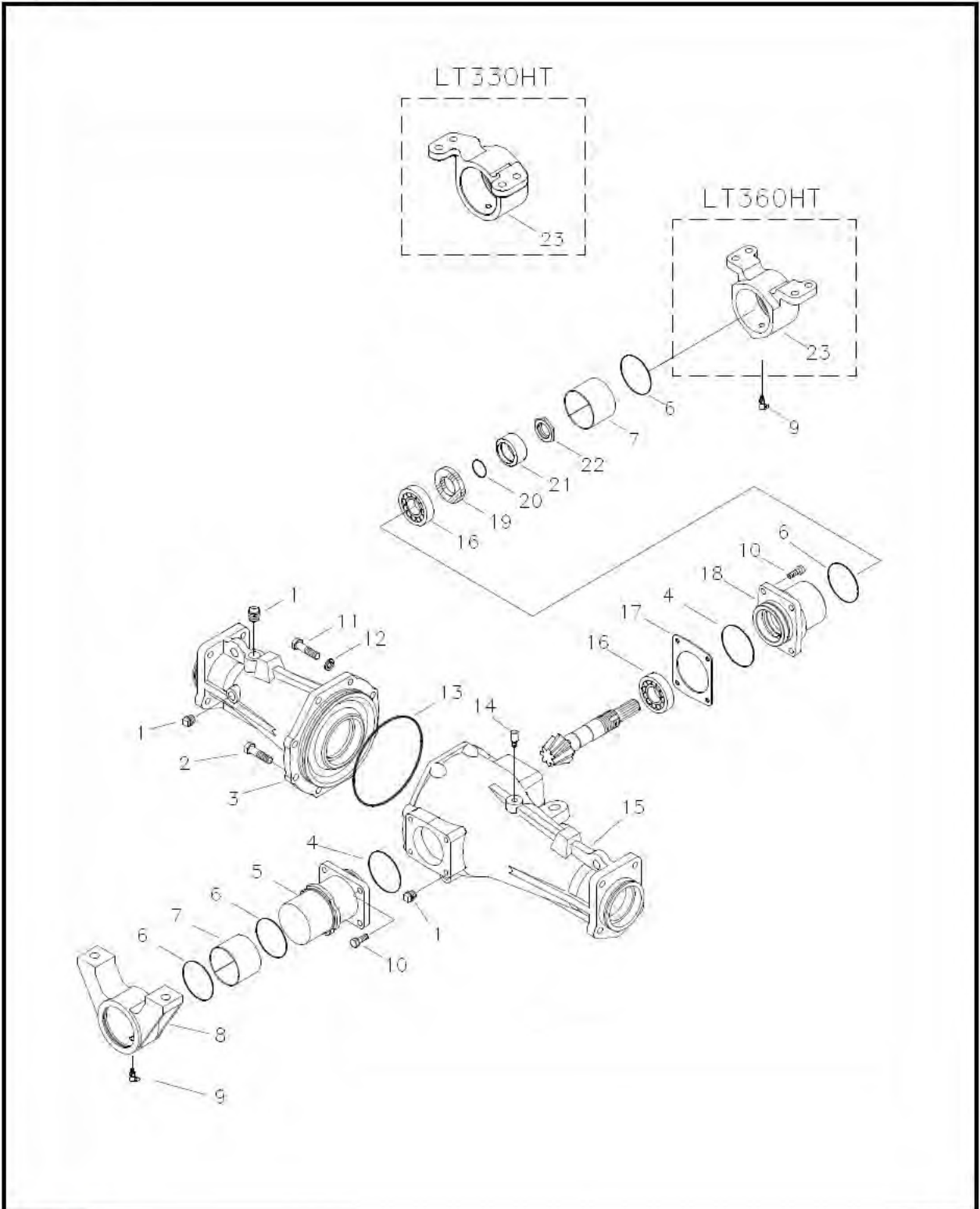
FRONT AXLE CASE(400)

FIG. 5-2

KEY NO.	PART NO.	PART NAME & DESCRIPTION		MODEL & QTY		APPLI. NO.	REMARK
				330HT	360HT		
1	3A1970052	PLUG, TAPER	PT 3/8	2	2		
2	S153123533	BOLT, HEX. W/WASHER	M12×1.75×35	7	7		
3	A1400163	CENTER(RH)		1	1		
4	S802075010	O-RING	D74.4×3.1	2	2		
5	A1400100	HOLDER, F/PIVOT		1	1		
6	S802080010	O-RING	D79.4×3.1	4	4		
7	3A1970006	BUSHING	80×40	2	2		
8	A1400118	BRACKET, FRONT		1	1		
9	3A1970069	NIPPLE, GREASE	PT 1/8	2	2		
10	S154103033	BOLT, HEX. W/WASHER	M10×1.25×30	8	8		
11	3A1970050	BOLT, REAMER	M12×1.75	1	1		
12	S361120013	WASHER, SPRING	Φ21.5×Φ12.2×3t	1	1		
13	S802175010	O-RING	D174.3×5.7	1	1		
14	3A1400004	BREATHER, AIR		1	1		
15	A1400164	CENTER(LH)		1	1		
16	A1400093	BEARING, TAPER	#32206C (OD62×ID	2	2		
17	3A1970100	SHIM	0.07t	AR	AR		
	3A1970101	SHIM	0.2t	AR	AR		
18	3A1400010	CASE, BEARING		1	1		
19	3A1970012	SEAL, OIL	Φ62×Φ45×9t	1	1		
20	S801030010	O-RING	D29.7×3.5	1	1		
21	3A1411004	BUSHING, SEAL	Φ45×15	1	1		
22	3A1970065	NUT, LOCK	M30×1.5	1	1		
23	A1400119	BRACKET, REAR		*	1		
	A1400042	BRACKET, REAR		1	*		
24	3A1970051	PLUG, TAPER	PT 1/2	1	1		

FRONT AXLE CASE(400)

FIG. 5-2



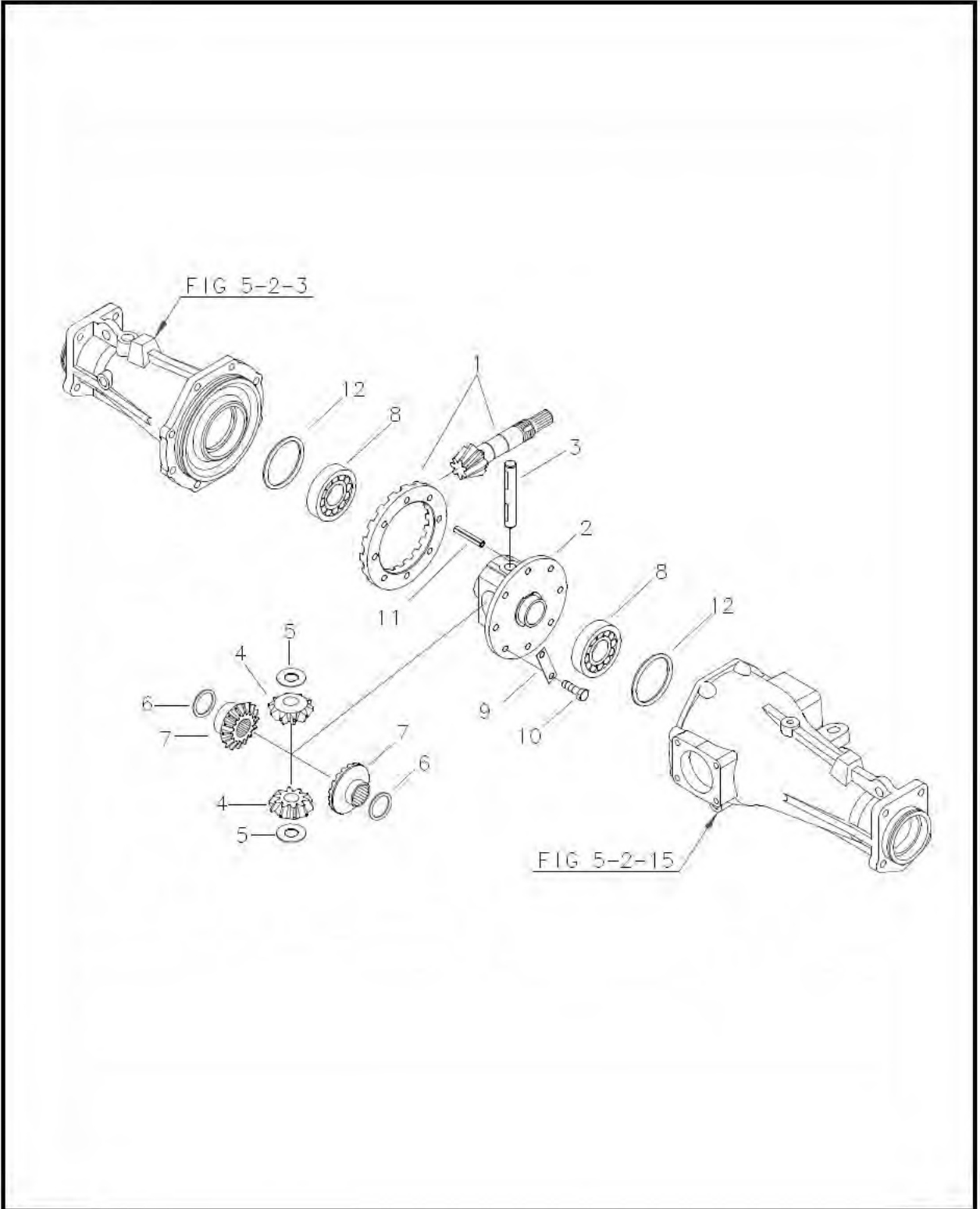
FRONT AXLE CASE(400)

FIG. 5-2

KEY NO.	PART NO.	PART NAME & DESCRIPTION		MODEL & QTY		APPLI. NO.	REMARK
				330HT	360HT		
1	3A1970052	PLUG, TAPER	PT 3/8	2	2		
2	S153123533	BOLT, HEX. W/WASHER	M12×1.75×35	7	7		
3	A1400163	CENTER(RH)		1	1		
4	S802075010	O-RING	D74.4×3.1	2	2		
5	A1400100	HOLDER, F/PIVOT		1	1		
6	S802080010	O-RING	D79.4×3.1	4	4		
7	3A1970006	BUSHING	80×40	2	2		
8	A1400118	BRACKET, FRONT		1	1		
9	A0730048	NIPPLE, GREASE	PT 1/8	2	2		
10	S154103033	BOLT, HEX. W/WASHER	M10×1.25×30	8	8		
11	3A1970050	BOLT, REAMER	M12×1.75	1	1		
12	S361120013	WASHER, SPRING	φ21.5×φ12.2×3t	1	1		
13	S802175010	O-RING	D174.3×5.7	1	1		
14	3A1400004	BREATHER, AIR		1	1		
15	A1400164	CENTER(LH)		1	1		
16	A1400093	BEARING, TAPER	#32206C (OD62×ID	2	2		
17	3A1970100	SHIM	0.07t	AR	AR		
	3A1970101	SHIM	0.2t	AR	AR		
18	3A1400010	CASE, BEARING		1	1		
19	3A1970012	SEAL, OIL	φ62×φ45×9t	1	1		
20	S801030010	O-RING	D29.7×3.5	1	1		
21	3A1411004	BUSHING, SEAL	φ45×15	1	1		
22	3A1970065	NUT, LOCK	M30×1.5	1	1		
23	A1400119	BRACKET, REAR		*	1		
	A1410042	BRACKET, REAR		1	*		

FRONT DIFFERENTIAL (400)

FIG. 5-3



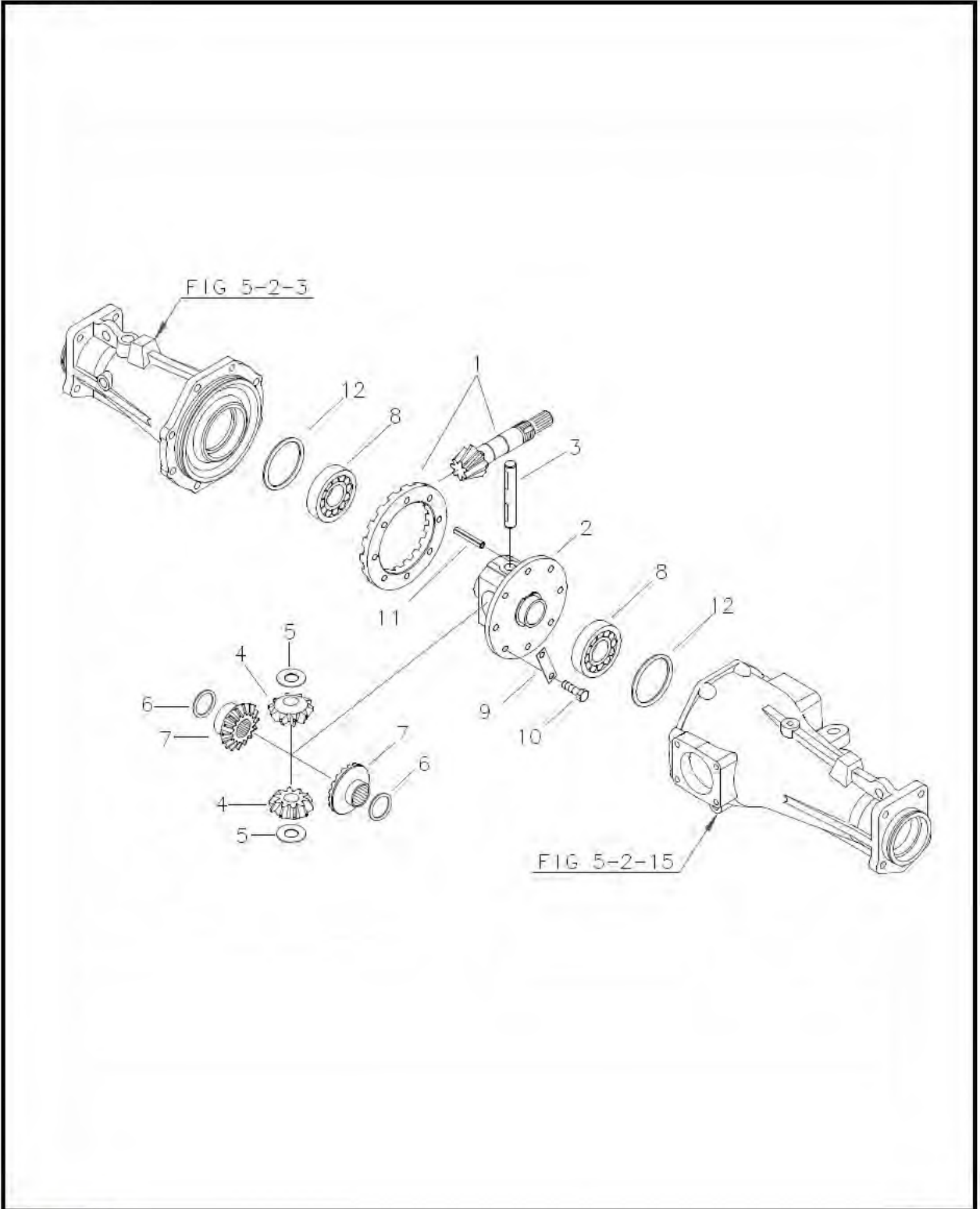
FRONT DIFFERENTIAL (400)

FIG. 5-3

KEY NO.	PART NO.	PART NAME & DESCRIPTION		MODEL & QTY		APPLI. NO.	REMARK
				330HT	360HT		
1-11	2A1415001	DIFF, GEAR ASSY		1	1		
1	A1400172	PINION & RING GEAR SET	6T/37T	1	1		
2	1A1414001	CASE, DIFF		1	1		
3	3A1415004	SHAFT		1	1		
4	A1324060	PINION, MATE	10T	2	2		
5	3A1970123	WASHER, THRUST	0.8t	2	2		
6	3A1970122	WASHER, THRUST	0.8t	2	2		
7	A1324062	GEAR, SIDE	16t	2	2		
8	3A1970033	BEARING, BALL	#6210	2	2		
9	A1410041	PLATE, LOCK		4	4		
10	S165102043	BOLT, HEX.F-THUD	M10×1.25×20L	8	8		
11	S446065012	PIN, SPRING	Φ6×50	1	1		
12	3A1970119	SHIM	0.07t	AR	AR		
	3A1970120	SHIM	0.2t	AR	AR		
	3A1970121	SHIM	1.0t	AR	AR		

FRONT DIFFERENTIAL (400)

FIG. 5-3



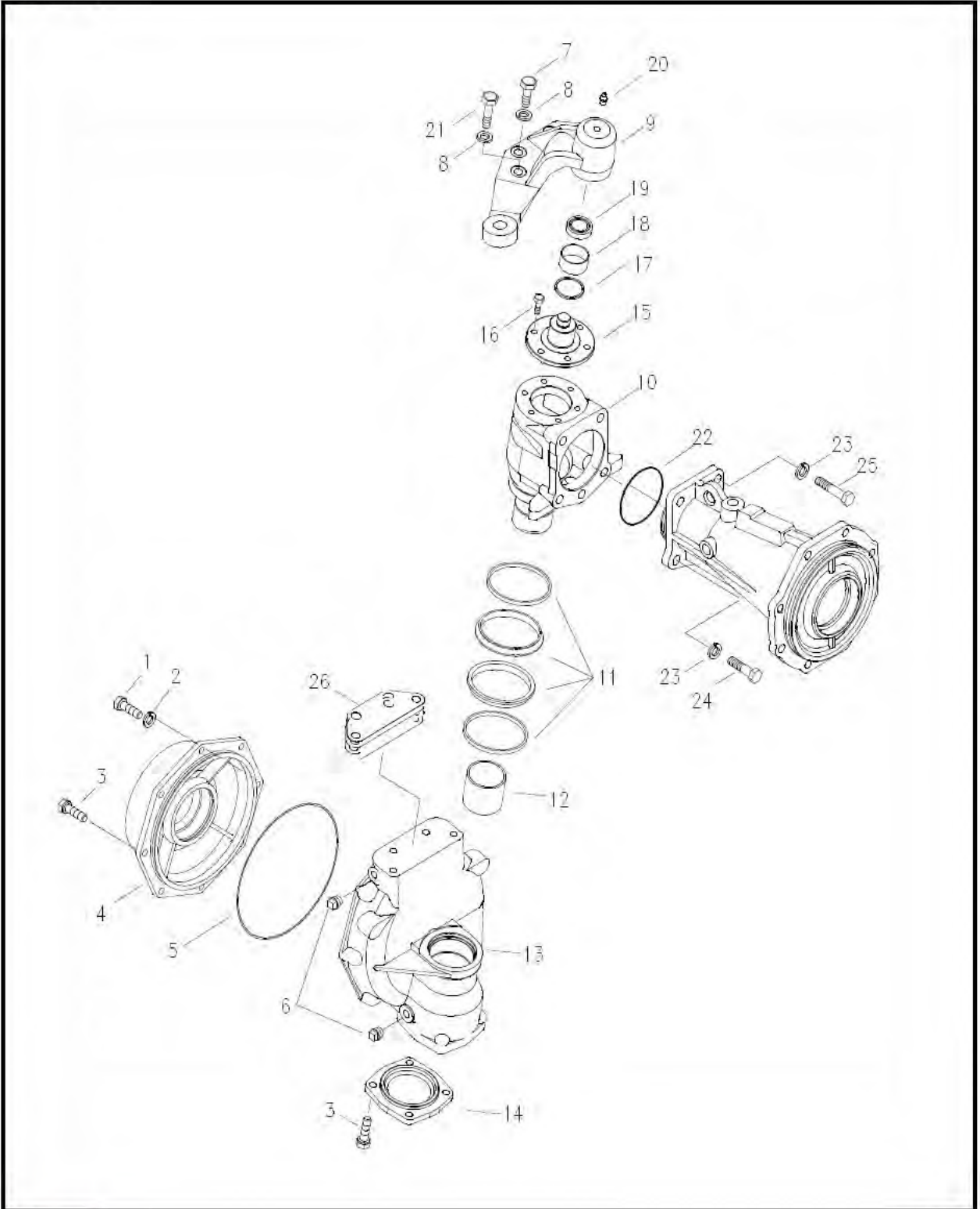
FRONT DIFFERENTIAL (400)

FIG. 5-3

KEY NO.	PART NO.	PART NAME & DESCRIPTION		MODEL & QTY		APPLI. NO.	REMARK
				330HT	360HT		
1-11	2A1415001	DIFF, GEAR ASSY		1	1		
1	A1400172	PINION & RING GEAR SET	6T/37T	1	1		
2	1A1414001	CASE, DIFF		1	1		
3	3A1415004	SHAFT		1	1		
4	A1324060	PINION, MATE	10T	2	2		
5	3A1970123	WASHER, THRUST	0.8t	2	2		
6	3A1970122	WASHER, THRUST	0.8t	2	2		
7	A1324062	GEAR, SIDE	16t	2	2		
8	3A1970033	BEARING, BALL	#6210	2	2		
9	3A1411003	PLATE, LOCK		4	4		
10	S165102043	BOLT, HEX.F-THUD	M10×1.25×20L	8	8		
11	S446065012	PIN, SPRING	φ6×50	1	1		
12	3A1970119	SHIM	0.07t	AR	AR		
	3A1970120	SHIM	0.2t	AR	AR		
	3A1970121	SHIM	1.0t	AR	AR		

FRONT AXLE CASE(400)

FIG. 5-4



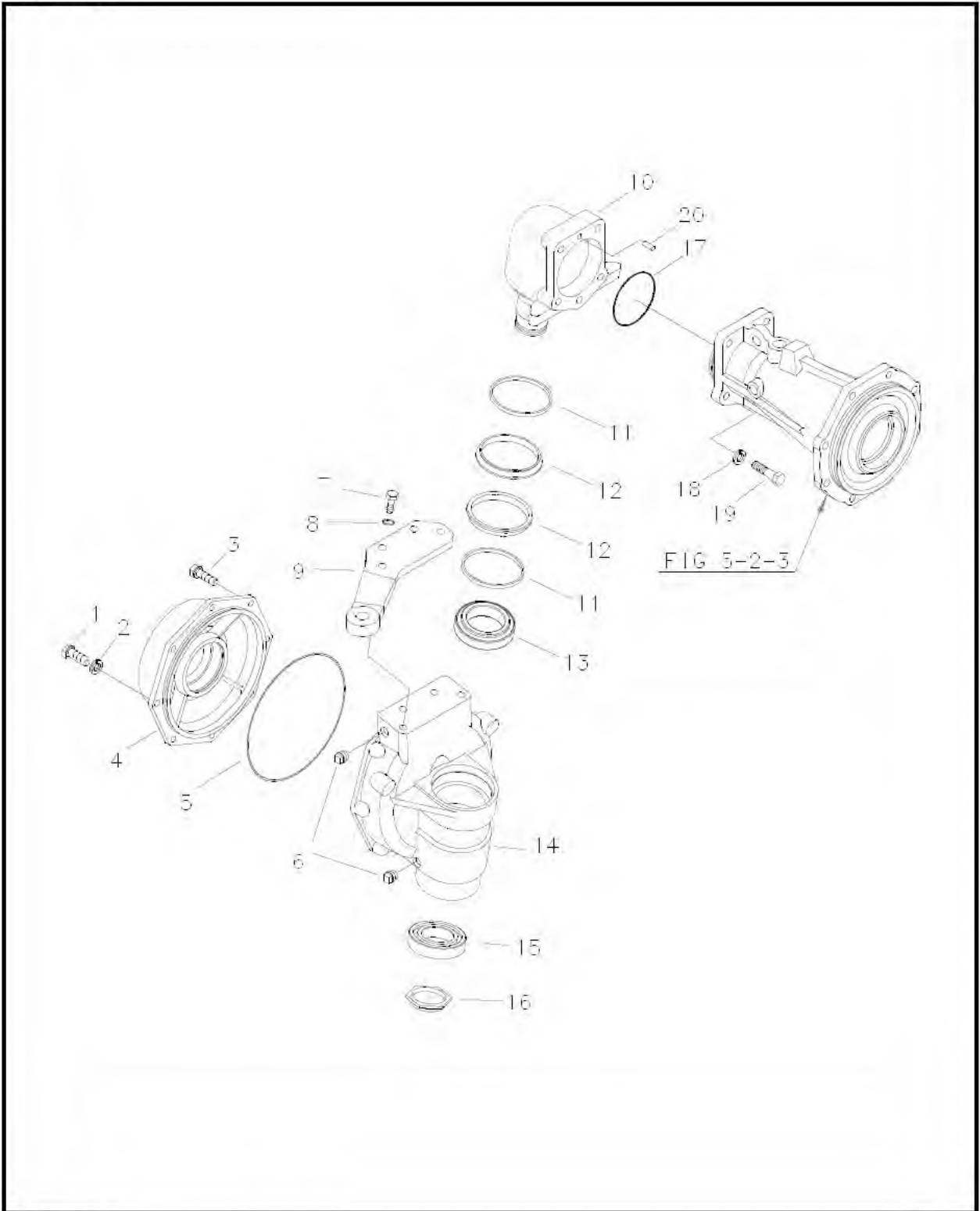
FRONT AXLE CASE(400)

FIG. 5-4

KEY NO.	PART NO.	PART NAME & DESCRIPTION		MODEL & QTY		APPLI. NO.	REMARK
				330HT	360HT		
1	3A1970055	BOLT, REAMER	M10×1.25	1	1		
2	S361100013	WASHER, SPRING	Φ18.4×10.2×2.5t	1	1		
3	S154103033	BOLT, HEX. W/WASHER	M10×1.25×30	11	11		
4	A1402067	COVER, GEAR CASE		1	1		
5	3A1970056	O-RING	D231×3	1	1		
6	3A1970052	PLUG, TAPER	PT 3/8	2	2		
7	S101123043	BOLT, HEX	M12×1.75×30	2	2		
8	S361120013	WASHER, SPRING	Φ21.5×Φ12.2×3t	4	4		
9	A1400289	ARM(RH)		1	1		
10	A1400293	CASE, KINGPIN		1	1		
11	A1400168	GROUP SEAL		1	1		
12	A1400077	BUSHING, DU	MB6030DU	1	1		
13	A1400292	CASE, GEAR(RH)		1	1		
14	A1400288	COVER, W/BRG CASE		1	1		
15	A1400286	HOLDER, ARM		1	1		
16	S153082533	BOLT, HEX. W/WASHER	M8×1.25×25	6	6		
17	A0652582	SEAL, DUST	Φ40×Φ48×6.5t	1	1		
18	A0678120	BUSHING	MB4020DU	1	1		
19	A1400076	BEARING, T/ROLLER	#32004XJ	1	1		
20	3A1970069	NIPPLE, GREASE	PT 1/8	1	1		
21	3A1970057	BOLT, REAMER	M12X1.75X35	2	2		
22	S802090010	O-RING	D89.4×3.1	1	1		
23	S361140013	WASHER, SPRING	Φ24.5×Φ14.2×3.5t	5	5		
24	S101144043	BOLT, HEX	M14×2×40	4	4		
25	A1970307	BOLT, REAMER	M14×2×50	1	1		
26	A1402048	SHIM	0.15t	1	1		
	A1402049	SHIM	0.30t	1	1		
	A1402050	SHIM	0.40t	1	1		

FRONT AXLE CASE(400)

FIG. 5-4



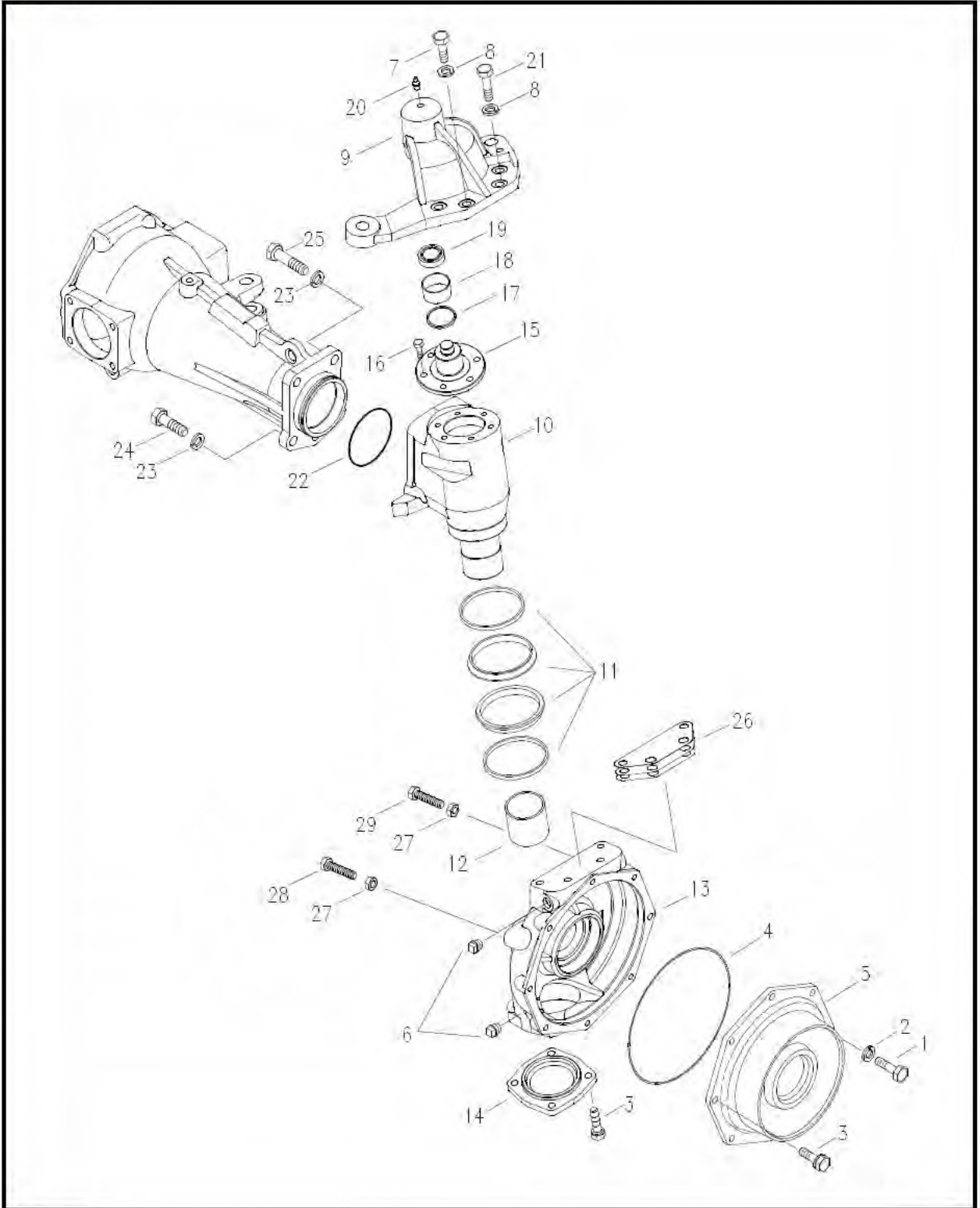
FRONT AXLE CASE(400)

FIG. 5-4

KEY NO.	PART NO.	PART NAME & DESCRIPTION		MODEL & QTY		APPLI. NO.	REMARK
				330HT	360HT		
1	3A1970055	BOLT, REAMER	M10×1.25	1	1		
2	S361100013	WASHER, SPRING	φ10.2×φ18.4×2.5t	1	1		
3	S154103033	BOLT, HEX . W / WASHER	M10×1.25×30L	7	7		
4	A1402067	COVER, GEAR CASE		1	1		
5	3A1970056	O-RING	φ231×3	1	1		
6	3A1970052	PLUG, TAPER	PT 3/8"	2	2		
7	S101123043	BOLT, HEX	M12×1.75×30L	4	4		
8	S361120013	WASHER, SPRING	φ12.2×φ21.5×3.0t	4	4		
9	A1400116	ARM (R)		1	1		
10	A1400162	CASE, KINGPIN		1	1		
11~12	A1400167	GROUP SEAL		1	1		
11	A1400158	SEAL, O-RING	φ84×6.5J	2	2		
12	A1400157	RETAINER, GROUP SEAL		2	2		
13	A1970267	BEARING, TAPER	#32012XJ	1	1		
14	A1400155	CASE, GEAR (R)		1	1		
15	A1970268	BEARING, TAPER	#30210J	1	1		
16	A1400128	NUT, LOCK	M50×1.5	1	1		
17	S802090010	O-RING	φ89.4×W3.1	1	1		
18	S361140013	WASHER, SPRING	φ14.2×φ24.5×3.5t	5	5		
19	S101144043	BOLT, HEX	M14×2×40L	4	4		
20	A1970307	BOLT, REAMER	M14×2×50L	1	1		

FRONT AXLE CASE(400)

FIG. 5-5



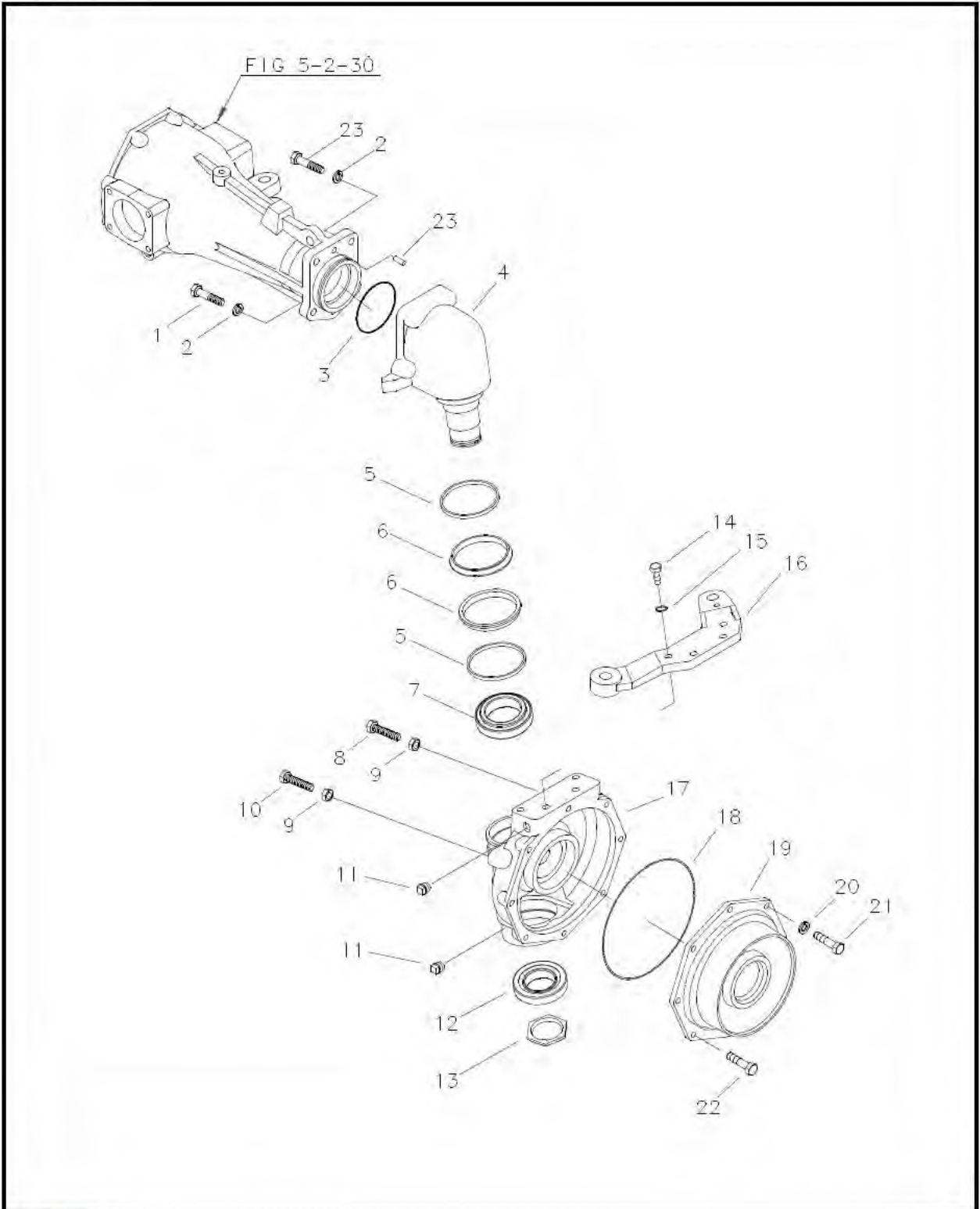
FRONT AXLE CASE(400)

FIG. 5-5

KEY NO.	PART NO.	PART NAME & DESCRIPTION		MODEL & QTY		APPLI. NO.	REMARK
				330HT	360HT		
1	3A1970055	BOLT, REAMER	M10×1.25	1	1		
2	S361100013	WASHER, SPRING	Φ18.4×10.2×2.5t	1	1		
3	S154103033	BOLT, HEX. W/WASHER	M10×1.25×30	11	11		
4	A1402067	COVER, GEAR CASE		1	1		
5	3A1970056	O-RING	D231×3	1	1		
6	3A1970052	PLUG, TAPER	PT 3/8	2	2		
7	S101123043	BOLT, HEX	M12×1.75×30	2	2		
8	S361120013	WASHER, SPRING	Φ21.5×Φ12.2×3t	4	4		
9	A1400290	ARM(LH)		1	1		
10	A1400293	CASE, KINGPIN		1	1		
11	A1400168	GROUP SEAL		1	1		
12	A1400077	BUSHING, DU	MB6030DU	1	1		
13	A1400291	CASE, GEAR(LH)		1	1		
14	A1400288	COVER, W/BRG CASE		1	1		
15	A1400286	HOLDER, ARM		1	1		
16	S153082533	BOLT, HEX. W/WASHER	M8×1.25×25	6	6		
17	A0652582	SEAL, DUST	Φ40×Φ48×6.5t	1	1		
18	A0678120	BUSHING	MB4020DU	1	1		
19	A1400076	BEARING, T/ROLLER	#32004XJ	1	1		
20	3A1970069	NIPPLE, GREASE	PT 1/8	1	1		
21	3A1970057	BOLT, REAMER	M12X1.75X35	2	2		
22	S802090010	O-RING	D89.4×3.1	1	1		
23	S361140013	WASHER, SPRING	Φ24.5×Φ14.2×3.5t	5	5		
24	S101144043	BOLT, HEX	M14×2×40	4	4		
25	A1970307	BOLT, REAMER	M14×2×50	1	1		
26	A1402048	SHIM	0.15t	1	1		
	A1402049	SHIM	0.30t	1	1		
	A1402050	SHIM	0.40t	1	1		
27	S301120043	NUT, HEX. 1-TY	M12×1.75	2	2		
28	S101125543	BOLT, HEX.	M12×1.75×55	1	1		
29	S163123543	BOLT, HEX. F-THRD	M12×1.75×35	1	1		

FRONT AXLE CASE(400)

FIG. 5-5



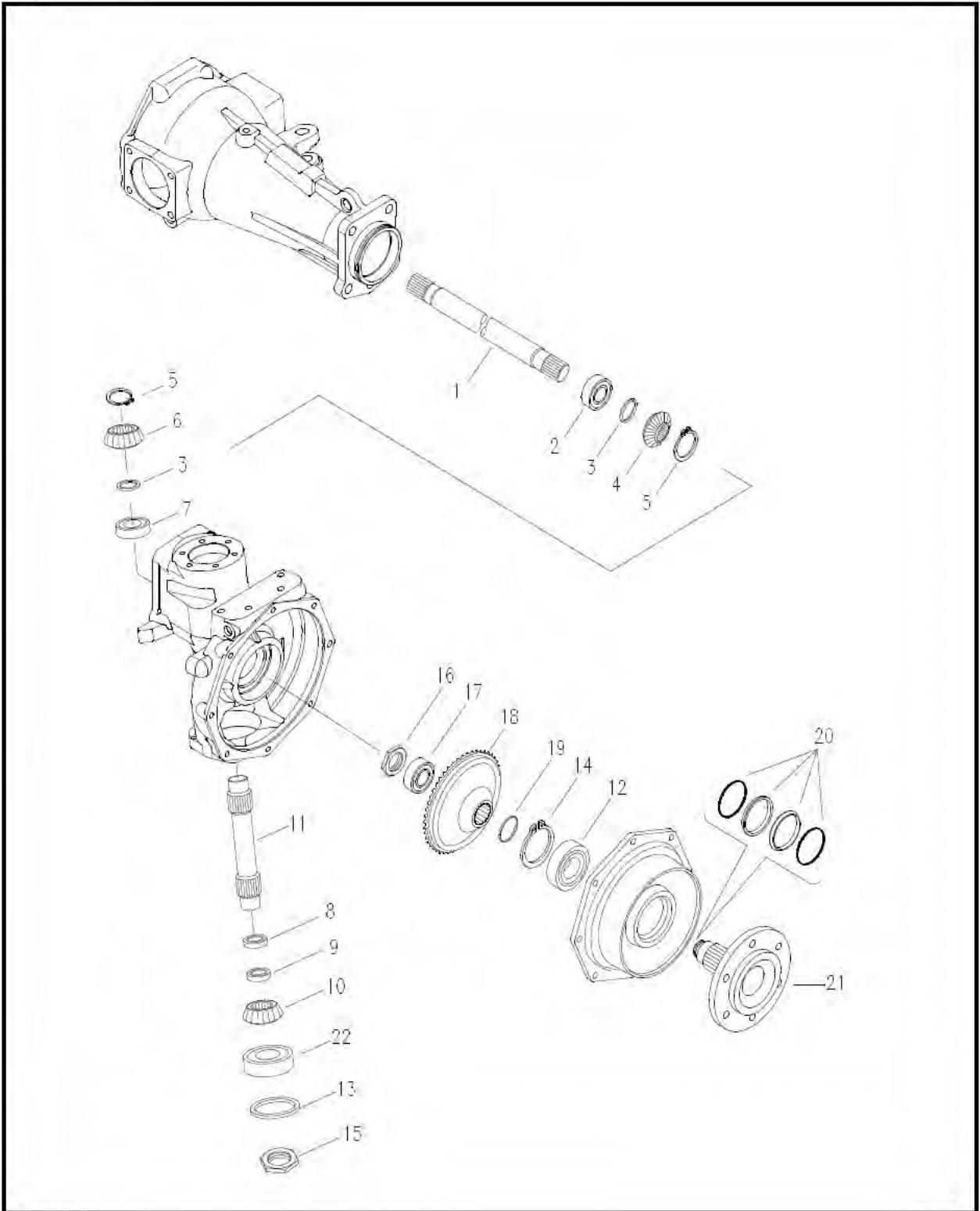
FRONT AXLE CASE(400)

FIG. 5-5

KEY NO.	PART NO.	PART NAME & DESCRIPTION		MODEL & QTY		APPLI. NO.	REMARK
				330HT	360HT		
1	S101144043	BOLT, HEX	M14×2.0×40L	4	4		
2	S361140013	WASHER, SPRING	Φ14.2×Φ24.5×3.5t	5	5		
3	S802090010	O-RING	Φ89.4×3.1	1	1		
4	A1400162	CASE, KINGPIN		1	1		
5-6	A1400167	GROUP SEAL		1	1		
5	A1400158	SEAL, O-RING	Φ84×6.5	2	2		
6	A1400157	RETAINER, GROUP SEAL		2	2		
7	A1970267	BEARING, TAPER	#32012XJ	1	1		
8	S163123543	BOLT, HEX . F-THRD	M12×1.75×35L	1	1		
9	S301120043	NUT, HEX .1-TY	M12×1.75	2	2		
10	S101125543	BOLT, HEX	M12×1.75×55L	1	1		
11	3A1970052	PLUG, TAPER	PT 3/8"	2	2		
12	A1970268	BEARING, TAPER	#30210J	1	1		
13	A1400128	NUT, LOCK	M50×1.5	1	1		
14	S101123043	BOLT, HEX	M12×1.75×30L	4	4		
15	S361120013	WASHER, SPRING	Φ12.2×Φ21.5×3t	4	4		
16	A1400117	ARM (L)		1	1		
17	A1400156	CASE, GEAR (L)		1	1		
18	3A1970056	O-RING	Φ231×3	1	1		
19	A1402067	COVER, GEAR CASE		1	1		
20	S361100013	WASHER, SPRING	Φ10.2×Φ18.4×2.5t	1	1		
21	3A1970055	BOLT, REAMER	M10×1.25	1	1		
22	S154103033	BOLT, HEX . W / WASHER	M10×1.25×30L	7	7		
23	A1970307	BOLT, REAMER	M14×2.0×50L	1	1		

FRONT DRIVE(400)

FIG. 5-6



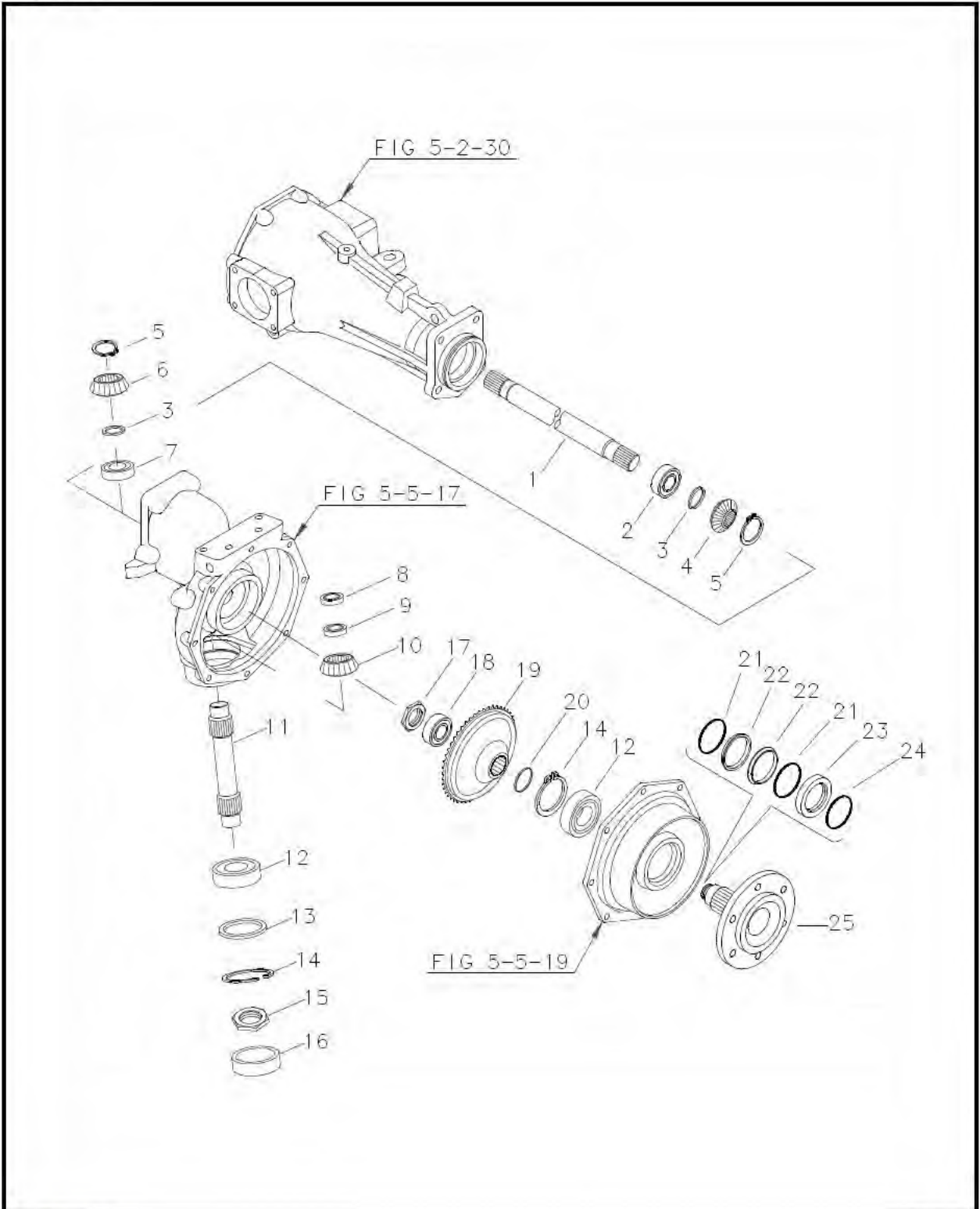
FRONT DRIVE(400)

FIG. 5-6

KEY NO.	PART NO.	PART NAME & DESCRIPTION		MODEL & QTY		APPLI. NO.	REMARK
				330HT	360HT		
1	A1400120	SHAFT, F/DIFF		2	2		
2	A0863070	BEARING, BALL	#6307 (OD80×ID35)	2	2		
3	A0870108	LINER	0.15t	AR	AR		
	A0870109	LINER	0.4t	AR	AR		
	A0870110	LINER	0.5t	AR	AR		
4	A1400121	GEAR	14t	2	2		
5	S810030001	RING, SNAP		4	4		
6	A1400153	GEAR	15t	2	2		
7	A1400093	BEARING, TAPER	#32206C (OD62×ID	2	2		
8	3A1970034	BEARING, THRUST	NSK51107 (OD52×I	2	2		
9	A1400127	SPACER		2	2		
10	A1400124	GEAR	14t	2	2		
11	A1400123	SHAFT, KINGPIN		2	2		
12	A0862100	BEARING, BALL	#6210 (OD90×ID50)	2	2		
13	3A1970119	LINER	0.07t	AR	AR		
	3A1970120	LINER	0.2t	AR	AR		
14	S811090001	RING, SNAP	#30210	2	2		
15	A1281034	NUT, LOCK	M25×1.5	2	2		
16	A1402047	NUT, LOCK	M30×1.5	2	2		
17	A0863080	BEARING, BALL	#6308 (OD90×ID40)	2	2		
18	A1402044	GEAR	38t	2	2		
19	3A1970112	LINER	0.4t	AR	AR		
	3A1970113	LINER	0.6t	AR	AR		
	3A1970114	LINER	0.8t	AR	AR		
	3A1970115	LINER	1.0t	AR	AR		
20	A1400168	GROUP SEAL		2	2		
21	A1402068	SHAFT, AXLE		2	2		
22	A26799980	BEARING, T/ROLLER	#30210	2	2		

FRONT DRIVE(400)

FIG. 5-6



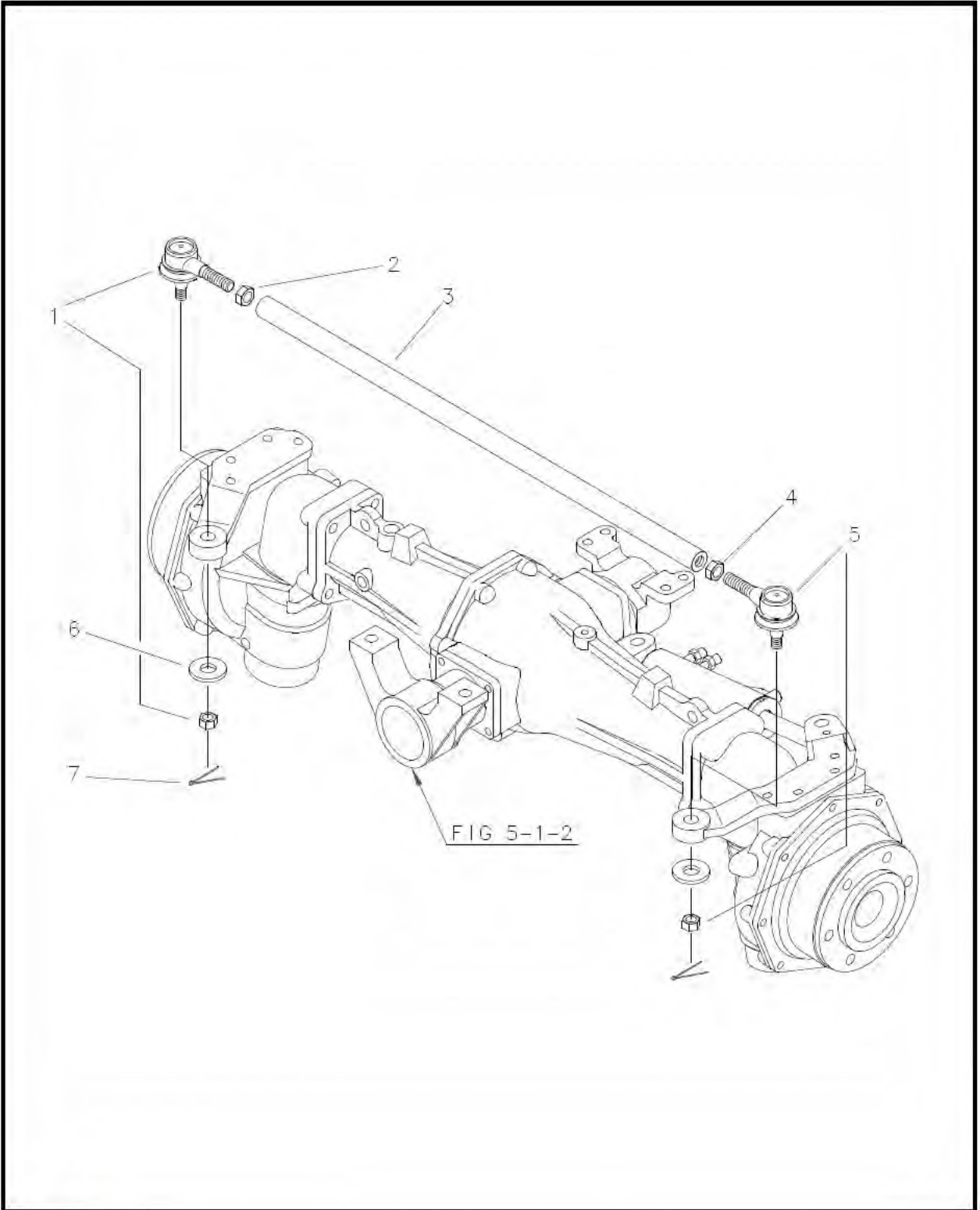
FRONT DRIVE(400)

FIG. 5-6

KEY NO.	PART NO.	PART NAME & DESCRIPTION		MODEL & QTY		APPLI. NO.	REMARK
				330HT	360HT		
1	A1400120	SHAFT, F/DIFF		2	2		
2	3A1970031	BEARING, BALL	#6307	2	2		
3	A0870108	LINER	0.15t	AR	AR		
	A0870109	LINER	0.4t	AR	AR		
	A0870110	LINER	0.5t	AR	AR		
4	A1400121	GEAR	14T	2	2		
5	S810030001	SNAP, RING		4	4		
6	A1400153	GEAR	15T	2	2		
7	A1400093	BEARING, TAPER	#32206C	2	2		
8	3A1970034	BEARING, THRUST	NSK51107	2	2		
9	A1400127	SPACER		2	2		
10	A1400124	GEAR	14T	2	2		
11	A1400123	SHAFT, KINGPIN		2	2		
12	3A1970033	BEARING, BALL	#6210	4	4		
13	3A1970119	LINER	0.07t	AR	AR		
	3A1970120	LINER	0.2t	AR	AR		
	3A1970121	LINER	1.0t	AR	AR		
14	S811090001	RING, SNAP		4	4		
15	A1281034	NUT, LOCK	M25×1.5	2	2		
16	A1653044	COVER, RUBBER	φ90×10	2	2		
17	A1402047	NUT, LOCK	M30×1.5	2	2		
18	3A1970032	BEARING, BALL	#6308	2	2		
19	A1402044	GEAR	38T	2	2		
20	3A1970112	LINER	0.4t	AR	AR		
	3A1970113	LINER	0.6t	AR	AR		
	3A1970114	LINER	0.8t	AR	AR		
	3A1970115	LINER	1.0t	AR	AR		
21~22	A1400168	GROUP SEAL		2	2		
21	A1400066	SEAL	φ64.5×4.8	4	4		
22	A1400094	RETAINER		4	4		
23	A1400074	HOUSING, G-SEAL		2	2		
24	S804055010	O-RING		2	2		
25	A1402068	SHAFT, AXLE		2	2		

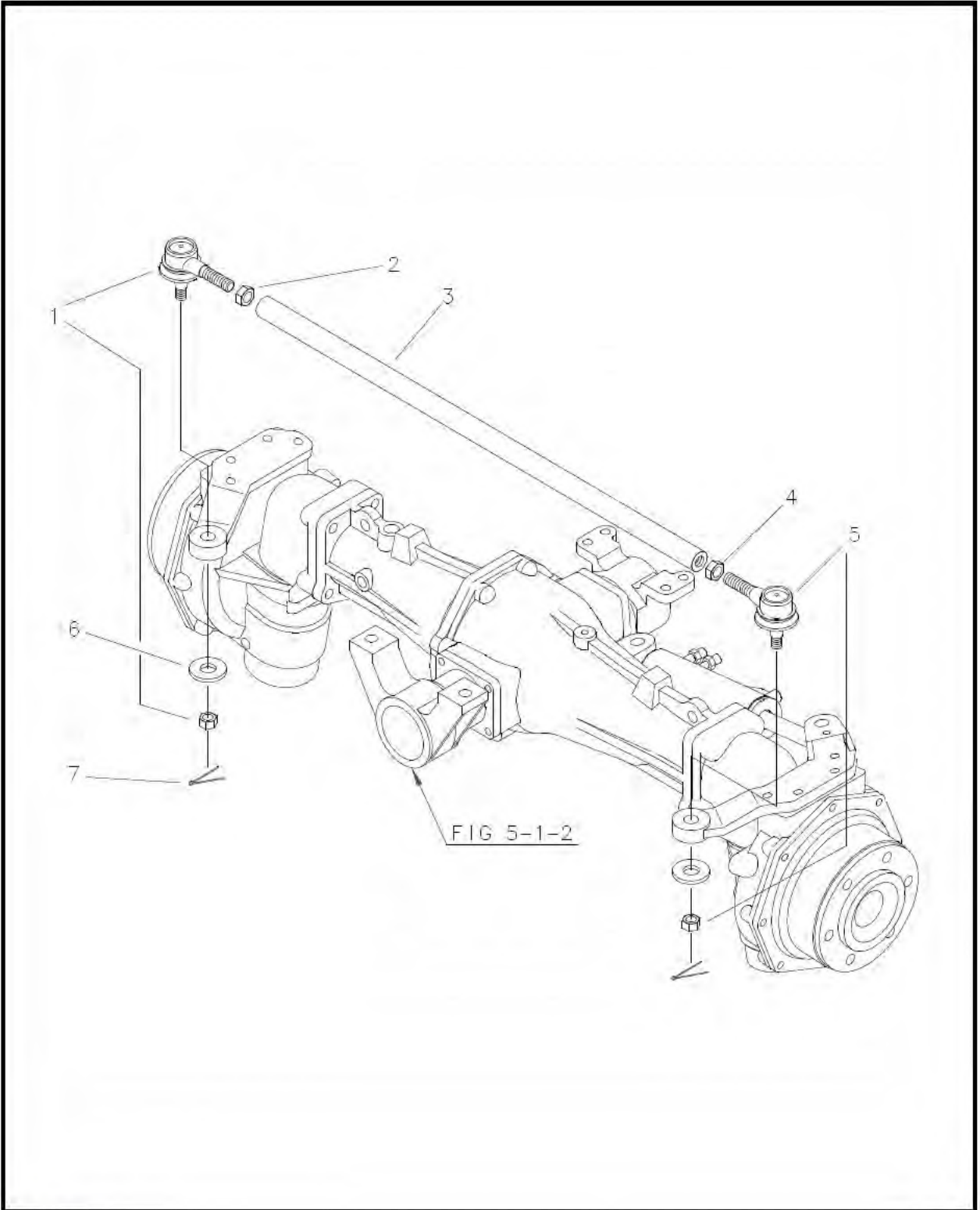
TIE ROD(610)

FIG. 6-1



TIE ROD(610)

FIG. 6-1



TIE ROD(610)

FIG. 6-1

KEY NO.	PART NO.	PART NAME & DESCRIPTION		MODEL & Q'TY		APPLI. NO.	REMARK
				330HT	360HT		
1-5	A1610031	TIE ROD ASSY	930L	1	1		
1	A1610036	END ASSY (R)		1	1		
2	S306180043	NUT, HEX (R)	M18×1.5	1	1		
3	A1610034	PIPE, TIEROD	784L	1	1		
4	A1610023	NUT, HEX (L)	M18×1.5	1	1		
5	A1610035	END ASSY (L)		1	1		
6	S365164013	WASHER, PLAIN	3t	2	2		
7	S441403613	PIN, COTTER	φ4×36	2	2		

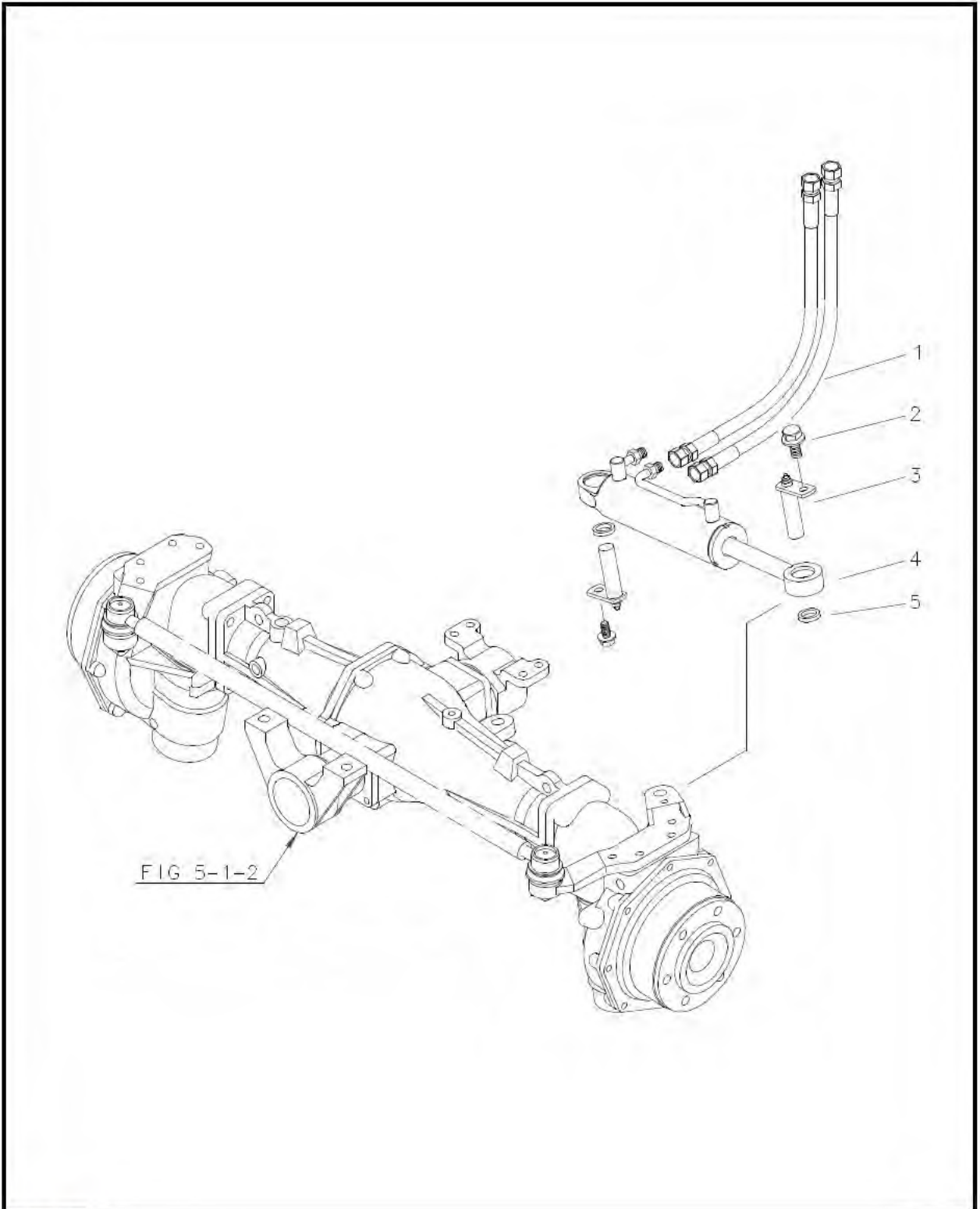
TIE ROD(610)

FIG. 6-1

KEY NO.	PART NO.	PART NAME & DESCRIPTION		MODEL & Q'TY		APPLI. NO.	REMARK
				330HT	360HT		
1-5	A1610031	TIE ROD ASSY	930L	1	1		
1	A1610036	END ASSY (R)		1	1		
2	S306180043	NUT, HEX (R)	M18×1.5	1	1		
3	A1610034	PIPE, TIEROD	784L	1	1		
4	A1610023	NUT, HEX (L)	M18×1.5	1	1		
5	A1610035	END ASSY (L)		1	1		
6	A1402060	WASHER, PLAIN	3t	2	2		
7	S441403613	PIN, COTTER	φ4×36	2	2		

STEERING CYLINDER(630)

FIG. 6-2



STEERING CYLINDER(630)

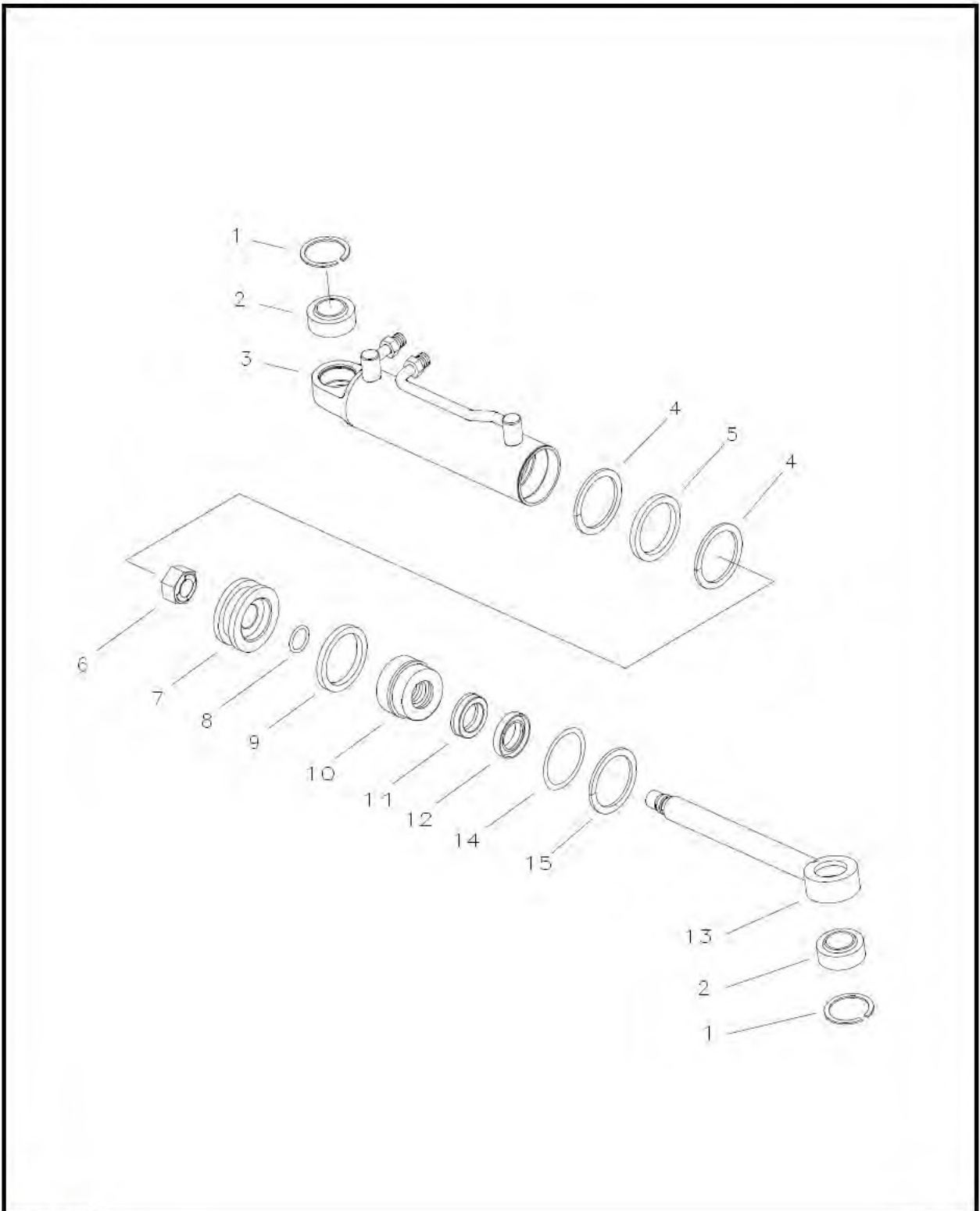
FIG. 6-2

AG, VA, TF

KEY NO.	PART NO.	PART NAME & DESCRIPTION		MODEL & QTY		APPLI. NO.	REMARK
				330HT	360HT		
1	A1630245	HOSE, STR CYLINDER	410L	2	2		
2	S154102033	BOLT, HEX	M10×1.25×20L	2	2		
3	A1630327	PIN, CYLINDER		2	2		
4	A1630293	STR. CYLINDER ASSY	293-446	1	1		
5	A1630135	SPACER	Φ20×5t	2	2		

STEERING CYLINDER(630)

FIG. 6-3



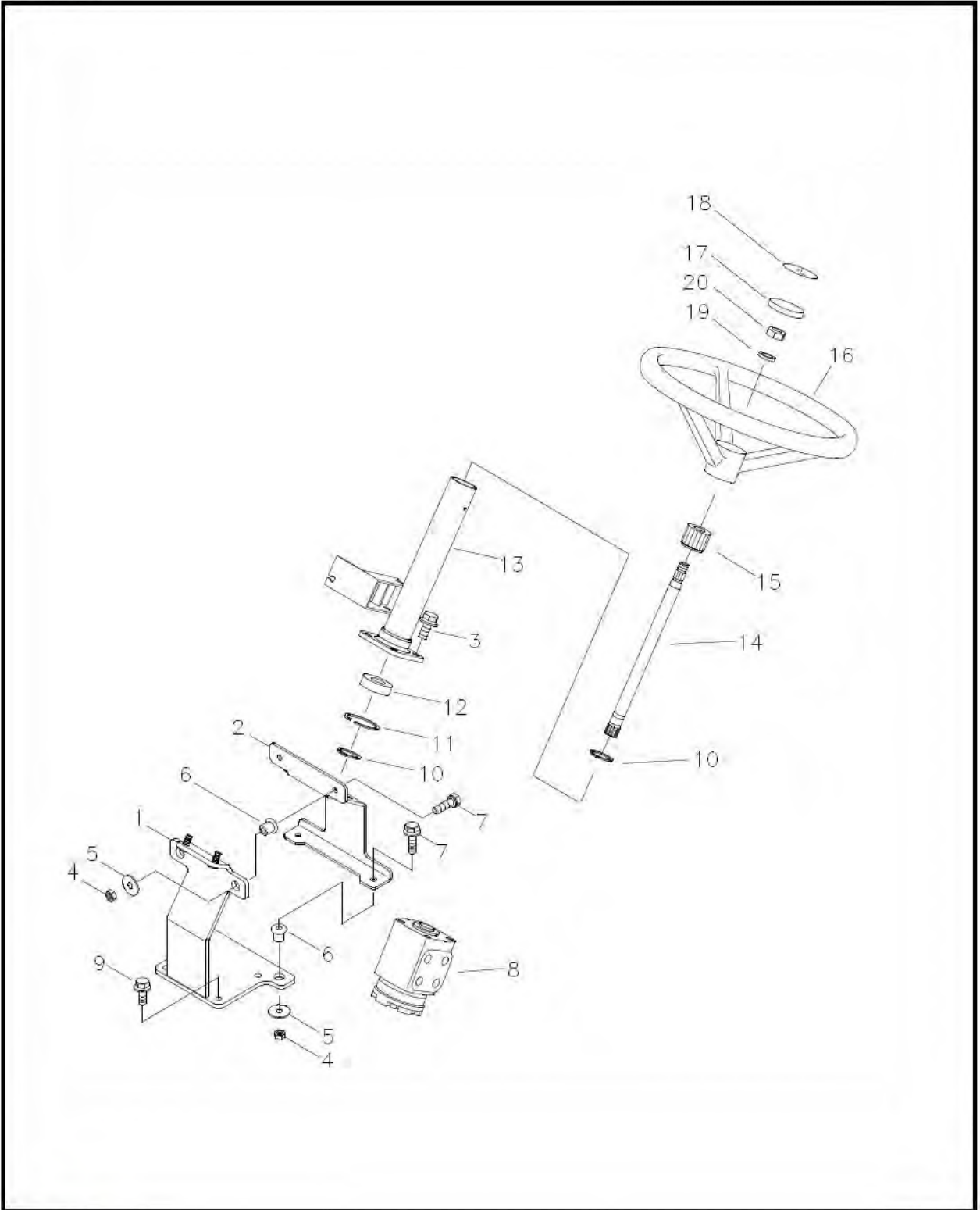
STEERING CYLINDER(630)

FIG. 6-3

KEY NO.	PART NO.	PART NAME & DESCRIPTION		MODEL & QTY		APPLI. NO.	REMARK
				330HT	360HT		
1-15	A1630293	STR. CYLINDER ASSY	293-446	1	1		
1	S813035001	RING, SNAP	φ35	2	2		
2	A1630159	BUSHING, BALL		2	2		
3	A1630319	CYLINDER ASSY		1	1		
4	A1630161	RING, BACKUP	φ50	2	2		
5	A1630162	O-RING	φ43.7×3.5	1	1		
6	A1630160	NUT, LOCK	M16×2	1	1		
7	A1630321	PISTON	φ50	1	1		
8	S801014010	O-RING	φ13.8×2.4	1	1		
9	S801046010	O-RING	φ45.7×3.5	1	1		
10	A1630322	SLEEVE		1	1		
11	A1630163	U-PACKING	φ22.4	1	1		
12	A1630164	SEAL, DUST	φ22.4	1	1		
13	A1630320	ROD, PISTON	φ22.4	1	1		
14	A1630323	RING, WIRE	φ2	1	1		
15	A1630324	RING, STOP		1	1		

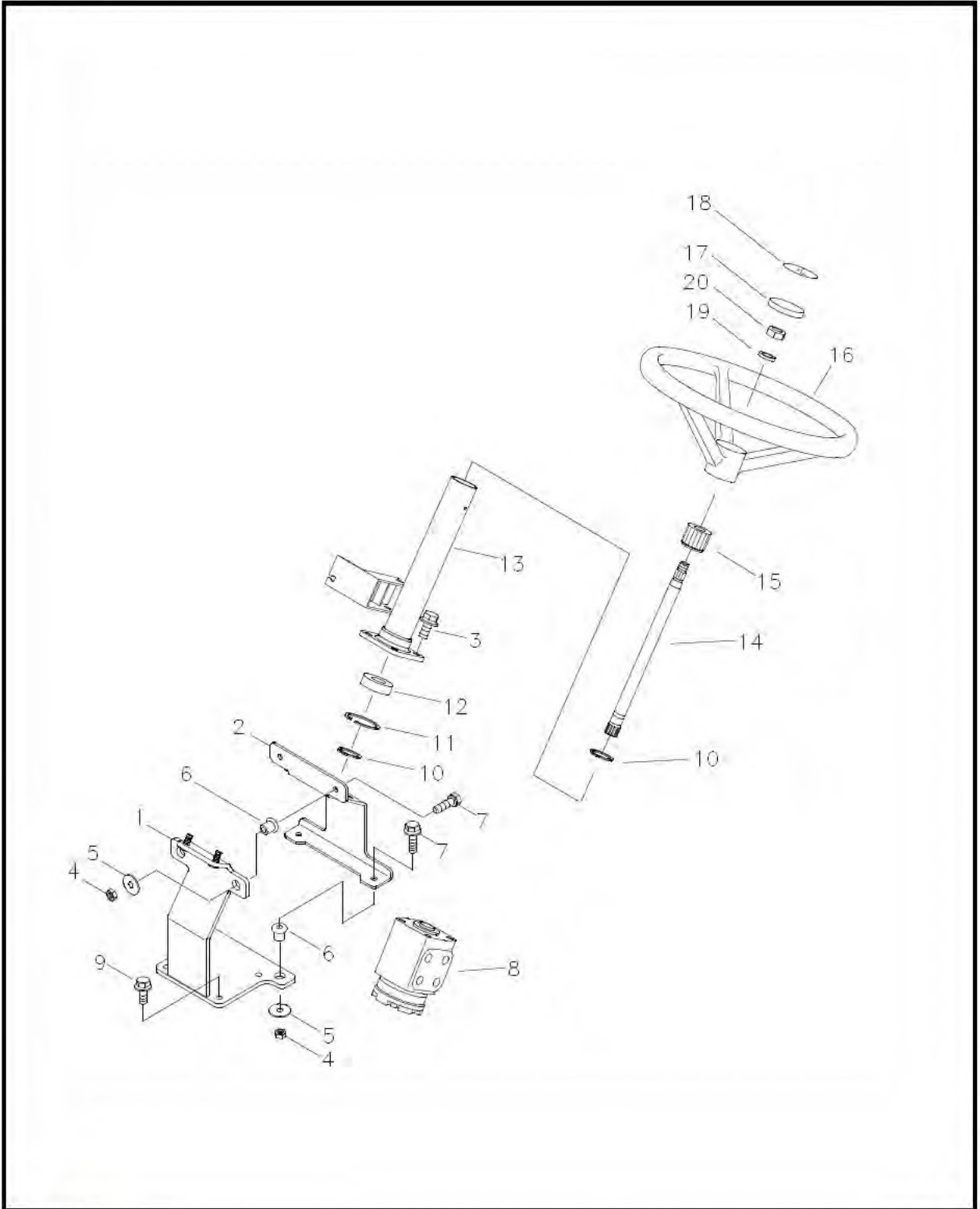
STEERING COLUMN(630)

FIG. 6-4



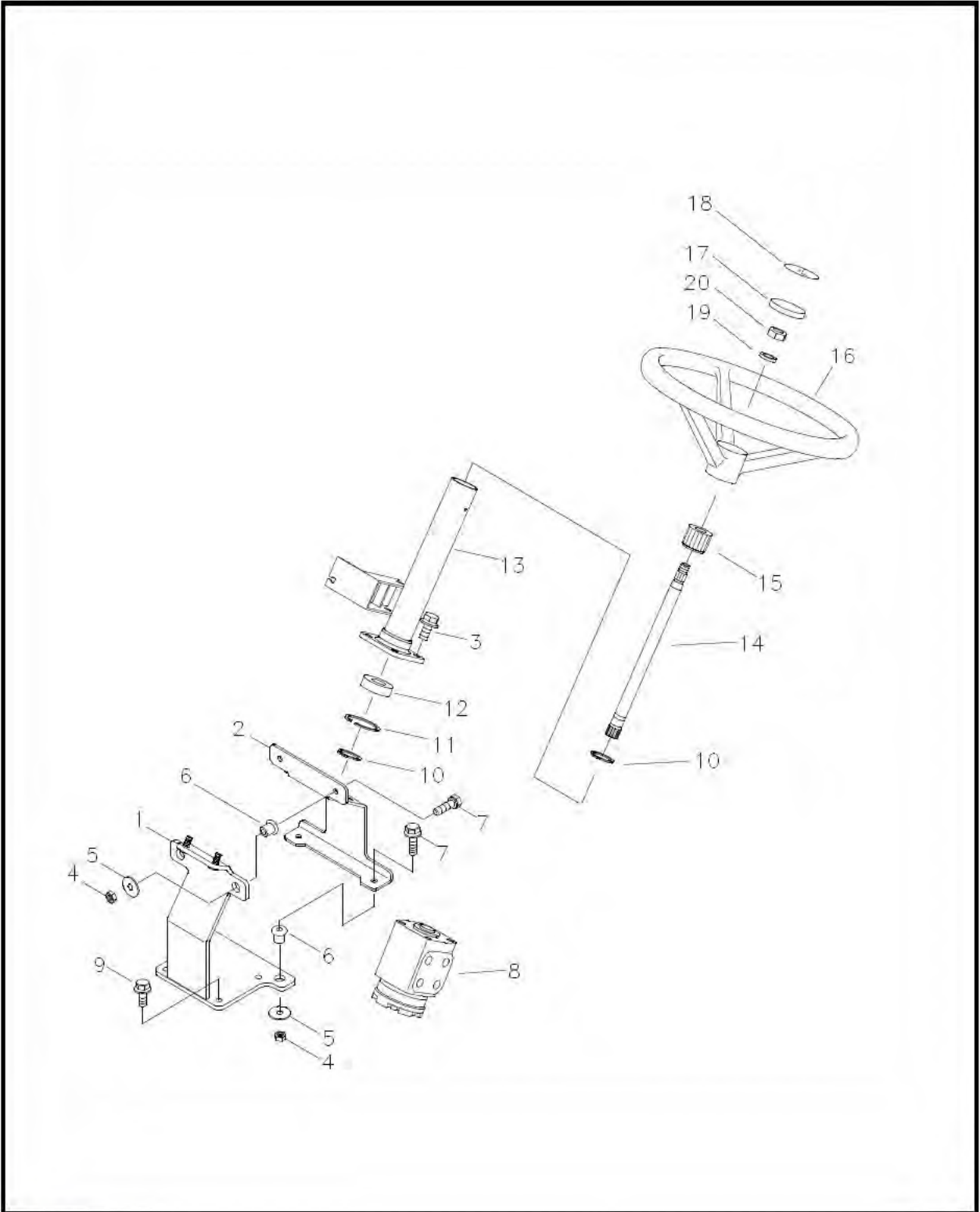
STEERING COLUMN(630)

FIG. 6-4



STEERING COLUMN(630)

FIG. 6-4



STEERING COLUMN(630)

FIG. 6-4

KEY NO.	PART NO.	PART NAME & DESCRIPTION		MODEL & QTY		APPLI. NO.	REMARK
				330HT	360HT		
1	A1630453	SUPPORT, STR. LOWER		1	1		
2	A1630452	SUPPORT, STR. UPPER		1	1		
3	S154102533	BOLT, HEX	M10×1.25×25	4	4		
4	S306100043	NUT, HEX	M10×1.25×25	4	4		
5	S365103213	WASHER, PLAIN	φ10.5×φ32×3.0t	4	4		
6	A1970366	MOUNT, SILENT		4	4		
7	S154105033	BOLT, HEX	M10×1.25×50L	4	4		
8	A1630624	STEERING UNIT	80cc/rev	1	1		
9	S156102533	BOLT, HEX	M10×1.25×25L	4	4		
10~15	A1630230	STEERING COLUMN ASSY		1	1		
10	S810020001	RING, SNAP	φ20	2	2		
11	S811042001	RING, SNAP(C)H	φ42	1	1		
12	A1970233	BEARING	6004DD	1	1		
13	A1630231	COLUMN, STEERING		1	1		
14	A1630232	SHAFT, STEERING	φ20	1	1		
15	A1630153	SEAL, STEERING		1	1		
16~18	A5002130	STR, WHEEL ASSY		1	1		
16	A5001458	WHEEL, STEERING		1	1		
17	A5000583	CAP, WHEEL		1	1		
18	A1981077	DECAL, LS MARK		1	1		
19	S361140013	WASHER, SPR	φ14.2×φ24.5×3.5	1	1		
20	S314140013	NUT, HEX	M14×1.5	1	1		

STEERING COLUMN(630)

FIG. 6-4

KEY NO.	PART NO.	PART NAME & DESCRIPTION		MODEL & QTY		APPLI. NO.	REMARK
				330HT	360HT		
1	A1630453	SUPPORT, STR. LOWER		1	1		
2	A1630452	SUPPORT, STR. UPPER		1	1		
3	S154102533	BOLT, HEX	M10×1.25×25	4	4		
4	S306100043	NUT, HEX	M10×1.25×25	4	4		
5	S365103213	WASHER, PLAIN	φ10.5×φ32×3.0t	4	4		
6	A1970366	MOUNT, SILENT		4	4		
7	S154105033	BOLT, HEX	M10×1.25×50L	4	4		
8	A1630222	STEERING UNIT	80cc/rev	1	1		
9	S156102533	BOLT, HEX	M10×1.25×25L	4	4		
10~15	A1630230	STEERING COLUMN ASSY		1	1		
10	S810020001	RING, SNAP	φ20	2	2		
11	S811042001	RING, SNAP(C)H	φ42	1	1		
12	A1970233	BEARING	6004DD	1	1		
13	A1630231	COLUMN, STEERING		1	1		
14	A1630232	SHAFT, STEERING	φ20	1	1		
15	A1630153	SEAL, STEERING		1	1		
16~18	A5002130	STR, WHEEL ASSY		1	1		
16	A5001458	WHEEL, STEERING		1	1		
17	A5000583	CAP, WHEEL		1	1		
18	A1980437	DECAL, LG MARK		1	1		
19	S361140013	WASHER, SPR	φ14.2×φ24.5×3.5	1	1		
20	S314140013	NUT, HEX	M14×1.5	1	1		

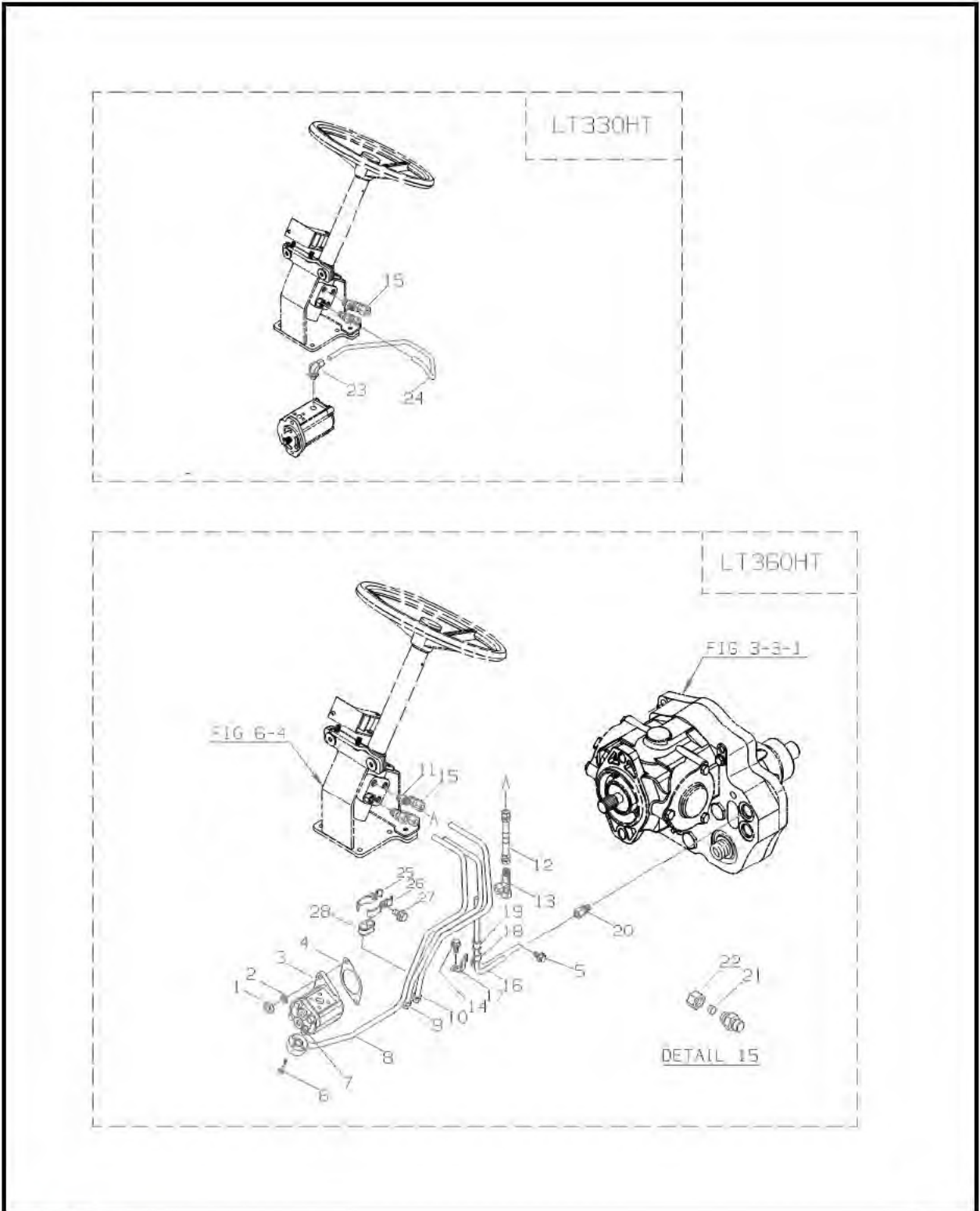
STEERING COLUMN(630)

FIG. 6-4

KEY NO.	PART NO.	PART NAME & DESCRIPTION		MODEL & QTY		APPLI. NO.	REMARK
				330HT	360HT		
1	A1630453	SUPPORT, STR. LOWER		1	1		
2	A1630452	SUPPORT, STR. UPPER		1	1		
3	S154102533	BOLT, HEX	M10×1.25×25	4	4		
4	S306100043	NUT, HEX	M10×1.25×25	4	4		
5	S365103213	WASHER, PLAIN	φ10.5×φ32×3.0t	4	4		
6	A1970366	MOUNT, SILENT		4	4		
7	S154105033	BOLT, HEX	M10×1.25×50L	4	4		
8	A1630253	STEERING UNIT	80cc/rev	1	1		
9	S156102533	BOLT, HEX	M10×1.25×25L	4	4		
10~15	A1630230	STEERING COLUMN ASSY		1	1		
10	S810020001	RING, SNAP	φ20	2	2		
11	S811042001	RING, SNAP(C)H	φ42	1	1		
12	A1970233	BEARING	6004DD	1	1		
13	A1630231	COLUMN, STEERING		1	1		
14	A1630232	SHAFT, STEERING	φ20	1	1		
15	A1630153	SEAL, STEERING		1	1		
16~18	A5002130	STR, WHEEL ASSY		1	1		
16	A5001458	WHEEL, STEERING		1	1		
17	A5000583	CAP, WHEEL		1	1		
18	A1980437	DECAL, LG MARK		1	1		
19	S361140013	WASHER, SPR	φ14.2×φ24.5×3.5	1	1		
20	S314140013	NUT, HEX	M14×1.5	1	1		

STEERING PIPE(630)

FIG. 6-5B



STEERING PIPE(630)

FIG. 6-5B

AG, VA, TF

KEY NO.	PART NO.	PART NAME & DESCRIPTION		MODEL & QTY		APPLI. NO.	REMARK
				330HT	360HT		
1	S313080013	NUT, HEX	M8×1.25	*	2		
2	S361080013	WASHER, SPRING	Φ8.2×Φ15.4×2.0t	*	2		
3	A1630562	PUMP, STEERING	7cc/rev	*	1		
4	A1630547	GASKET, PUMP	0.6t	*	1		
5	S155082033	BOLT, HEX	M8×1.25×20L	1	1		
6	S153063533	BOLT, HEX	M6×1.0×35L	*	3		
7	S801018010	O-RING	Φ17.8×2.4	*	1		
8,15	A1630587	PIPE, P/S PRESSURE SUB	Φ12	*	1		
8	A1630588	PIPE, P/S PRESSURE	Φ12	*	1		
9,15	A1CMS003	P/S PIPE ASSY(RH)	Φ12	1	1		
9	A1630242	PIPE, P/S RH	Φ12	1	1		
10,15	A1CMS002	P/S PIPE ASSY(LH)	Φ12	1	1		
10	A1630243	PIPE, P/S LH	Φ12	1	1		
11	A1630498	JOINT, BITE TYPE	PF 3/8	1	1		
12	A1640017	HOSE, P/S DRAIN	M18x1.5	1	1		
13	A1630499	TEE, UNION		1	1		
14	S153102033	BOLT, HEX	M10x1.25x20L	1	1		
15	A1630144	JOINT	BOM12-03G	3	3		
16	A1630432	PIPE, BYPASS	Φ12	1	1		
17	A1630454	BRACKET, CLAMP		1	1		
18	A1630238	CLAMP		1	1		
19	A1630239	RUBBER, CLAMP		1	1		
20	A1640007	JOINT		1	1		
21	A1630169	SLEEVE		2	2		
22	A1630170	NUT, HEX		2	2		
15, 23, 24	A1630460	PIPE, P/S PRESSURE SUB		1	*		
23	A1630101	ELBOW	BOLM12-03G	1	*		
24	A1630429	PIPE, P/S PRESSURE	Φ12	1	*		
25~27	A1630338	CLAMP ASSY, STR. PIPE		1	1		
25	A1630339	CLAMP A, STR. PIPE		1	1		
26	A1630340	CLAMP B, STR. PIPE		1	1		
27	S155062533	BOLT, HEX. W/WASHER		1	1		
28	A1630166	RUBBER		1	1		

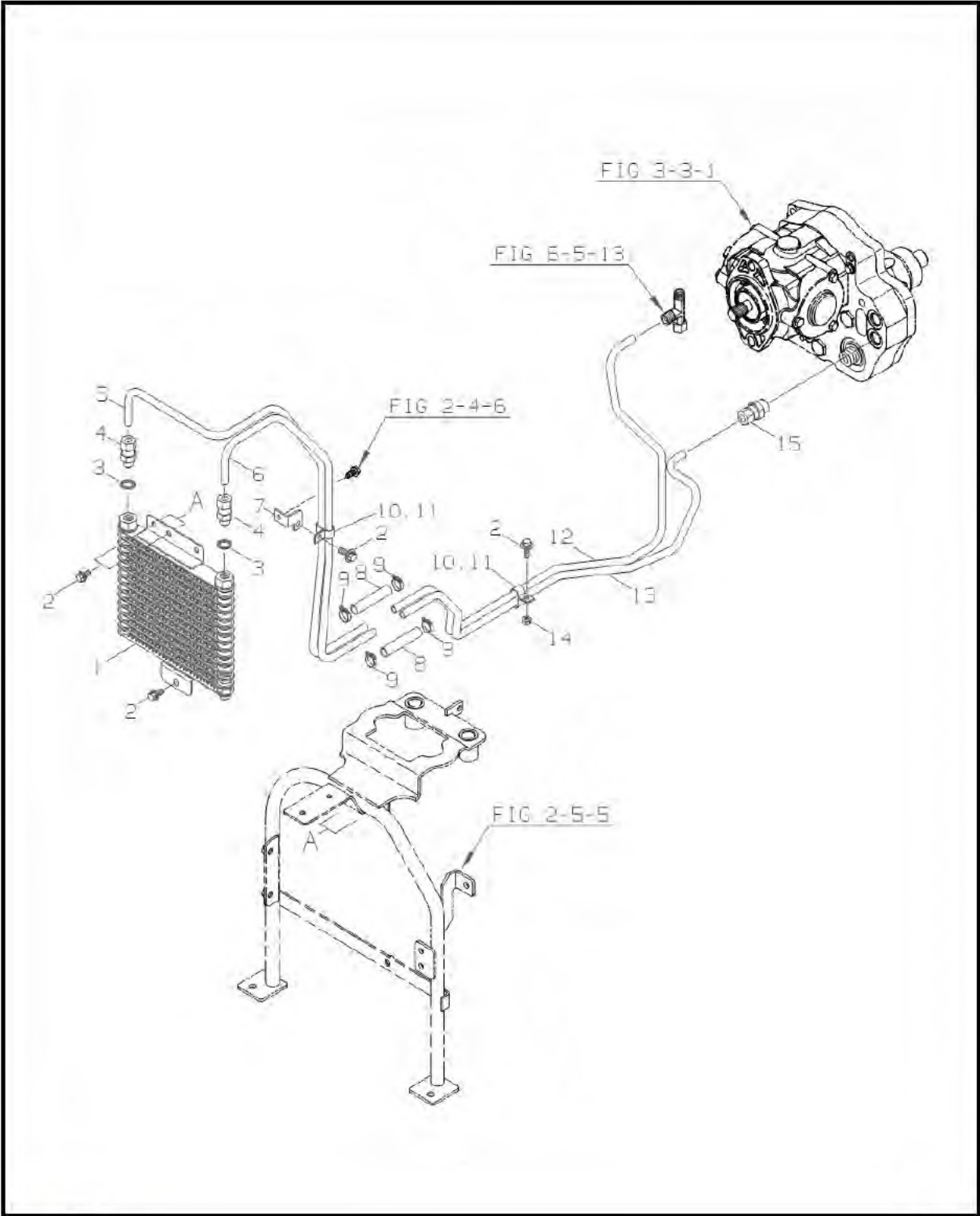
STEERING PIPE(630)

FIG. 6-5

KEY NO.	PART NO.	PART NAME & DESCRIPTION		MODEL & QTY		APPLI. NO.	REMARK
				330HT	360HT		
1	S313080013	NUT, HEX	M8×1.25	*	2		
2	S361080013	WASHER, SPRING	φ8.2×φ15.4×2.0t	*	2		
3	A1630221	PUMP, STEERING	6.99cc/rev	*	1		
4	3A1823010	PACKING, PUMP	0.6t	*	1		
5	S153082033	BOLT, HEX	M8×1.25×20L	1	2		
6	S153063533	BOLT, HEX	M6×1.0×35L	*	3		
7	S801018010	O-RING	φ17.8×2.4	*	1		
8	A1630241	PIPE, P/S PRESSURE	φ12	*	1	+1630144=A1CMS005	
	A1630429	PIPE, P/S PRESSURE	φ12	1	*		
9	A1630242	PIPE, P/S RH	φ12	1	1	+1630144=A1CMS003	
10	A1630243	PIPE, P/S LH	φ12	1	1	+1630144=A1CMS002	
11	A1630433	PIPE, P/S DRAIN	φ12	1	1	+1630144=A1630458	
12	A1970201b	CLAMP		2	2		
13	A1640005	HOSE		1	1		
14	A1630431	PIPE, BY-STR-DRAIN	φ12	1	1		
15	A1630144	JIONT	12-03G	4	4		
16	A1630432	PIPE, BYPASS	φ12	1	1		
17	A1630454	BRACKET, CLAMP		1	1		
18	A1630238	CLAMP		1	1		
19	A1630239	RUBBER, CLAMP		1	1		
20	S155102533	BOLT, HEX	M10×1.25×25L	1	1		
21	A1640007	JIONT		1	1		
22	A1823033	SLEEVE		2	2		
23	A1823034	NUT, HEX		2	2		
24	A1630430	TEE, UNION		1	1		
25	A1630247	CLAMP		1	1		
26	A1630166	RUBBER		1	1		
27	S155062033	BOLT, HEX	M6×1.0×20L	1	1		
28	S153102033	BOLT, HEX	M10×1.25×20L	1	1		
29	A1630436	ELBOW		1	*		

HST COOLER(640)

FIG. 6-6



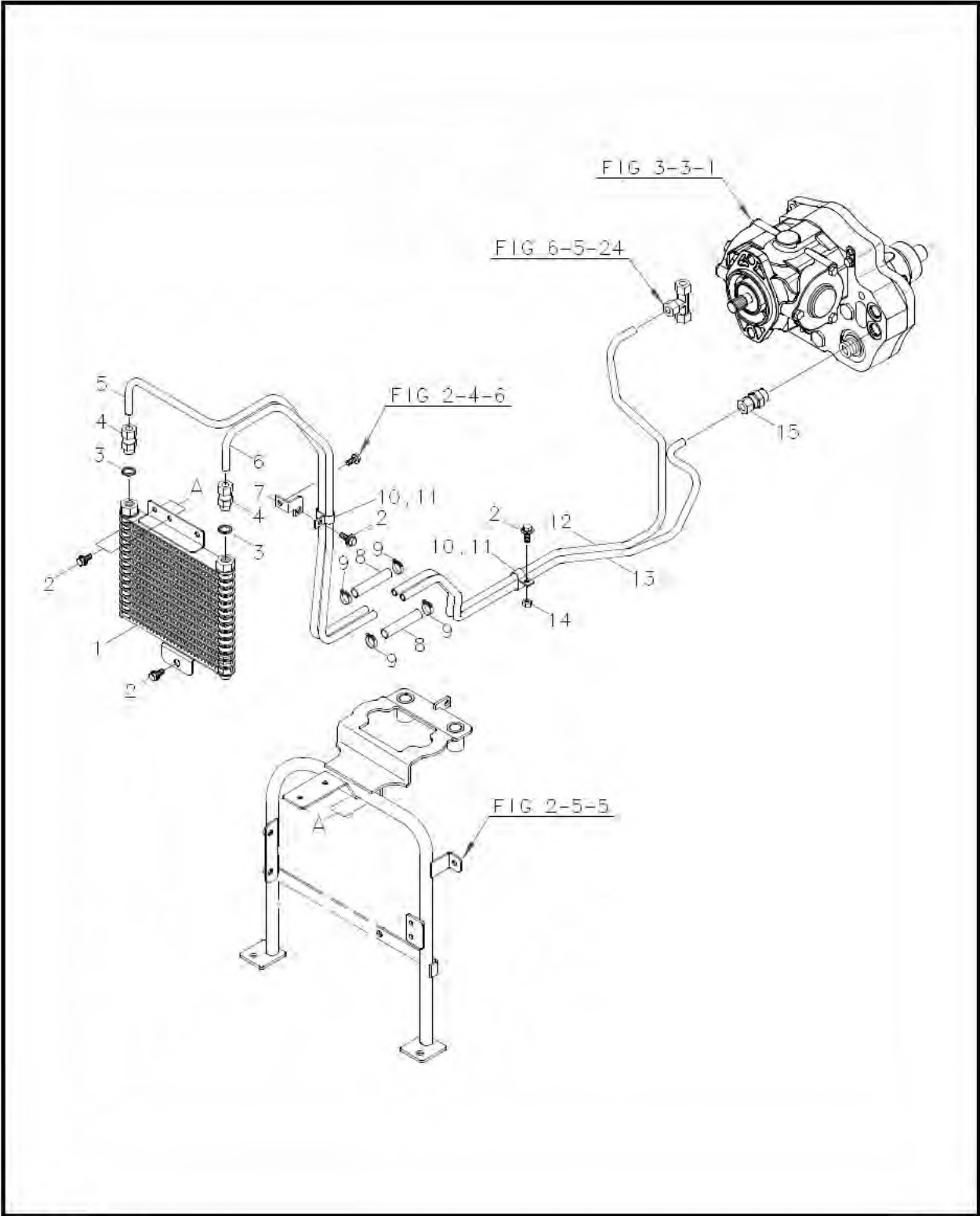
HST COOLER(640)

FIG. 6-6

KEY NO.	PART NO.	PART NAME & DESCRIPTION		MODEL & QTY		APPLI. NO.	REMARK
				330HT	360HT		
1	A3180673	COOLER, OIL		1	1		
2	S155082033	BOLT, HEX	M8x1.25x20L	5	5		
3	A1823245	SEAL, BONDED		2	2		
4	A1640008	JOINT	M16	2	2		
5	A1640004	PIPE B, COOLER IN	Φ12	1	1	+A1640008=A1640009	
6	A1640001	PIPE A, COOLER RETURN	Φ12	1	1	+A1640008=A1640010	
7	A1630167	BRACKET, CLAMP		1	1		
8	A1640012	HOSE, COOLER JOINT		2	2		
9	A1970201b	CLAMP		4	4		
10	A1630165	CLAMP		2	2		
11	A1630166	RUBBER		2	2		
12	A1640003	PIPE A, COOLER IN	Φ12	1	1		
13	A1640002	PIPE B, COOLER RETURN	Φ12	1	1	+A1640007=A1640011	
14	S311080013	NUT, HEX	M8x1.25	1	1		
15	A1640007	JOINT	M22	1	1		

HST COOLER(640)

FIG. 6-6



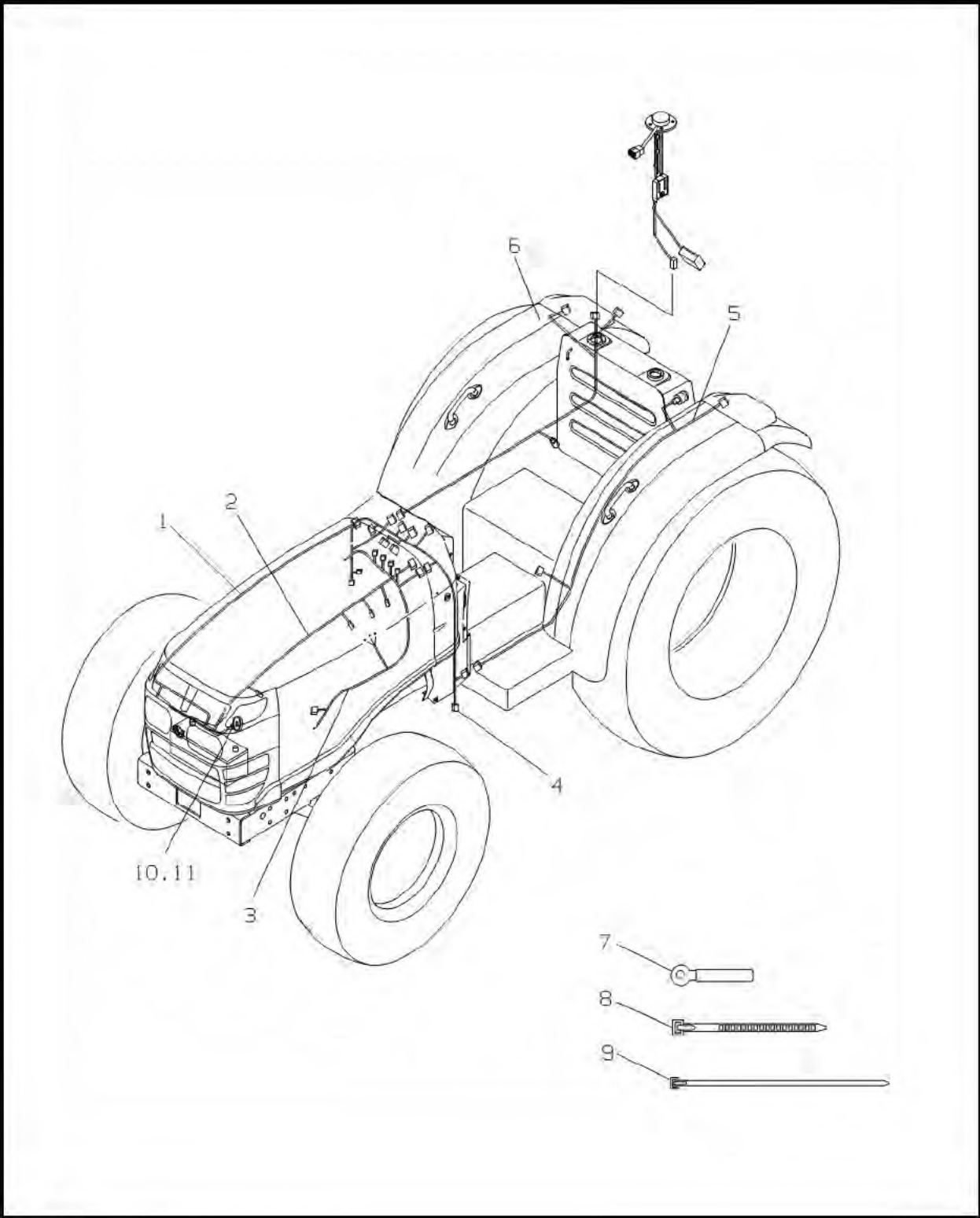
HST COOLER(640)

FIG. 6-6

KEY NO.	PART NO.	PART NAME & DESCRIPTION		MODEL & QTY		APPLI. NO.	REMARK
				330HT	360HT		
1	A3180673	COOLER, OIL		1	1		
2	S155082033	BOLT, HEX	M8x1.25x20L	5	5		
3	A1823245	SEAL, BONDED		2	2		
4	A1640008	JOINT	M16	2	2		
5	A1640004	PIPE B, COOLER IN	Φ12	1	1	+A1640008=A1640009	
6	A1640001	PIPE A, COOLER RETURN	Φ12	1	1	+A1640008=A1640010	
7	A1630167	BRACKET, CLAMP		1	1		
8	A1640005	HOSE, COOLER JOINT		2	2		
9	A1970201b	CLAMP		4	4		
10	A1630165	CLAMP		2	2		
11	A1630166	RUBBER		2	2		
12	A1640003	PIPE A, COOLER IN	Φ12	1	1		
13	A1640002	PIPE B, COOLER RETURN	Φ12	1	1	+A1640007=A1640011	
14	S311080013	NUT, HEX	M8x1.25	1	1		
15	A1640007	JOINT	M22	1	1		

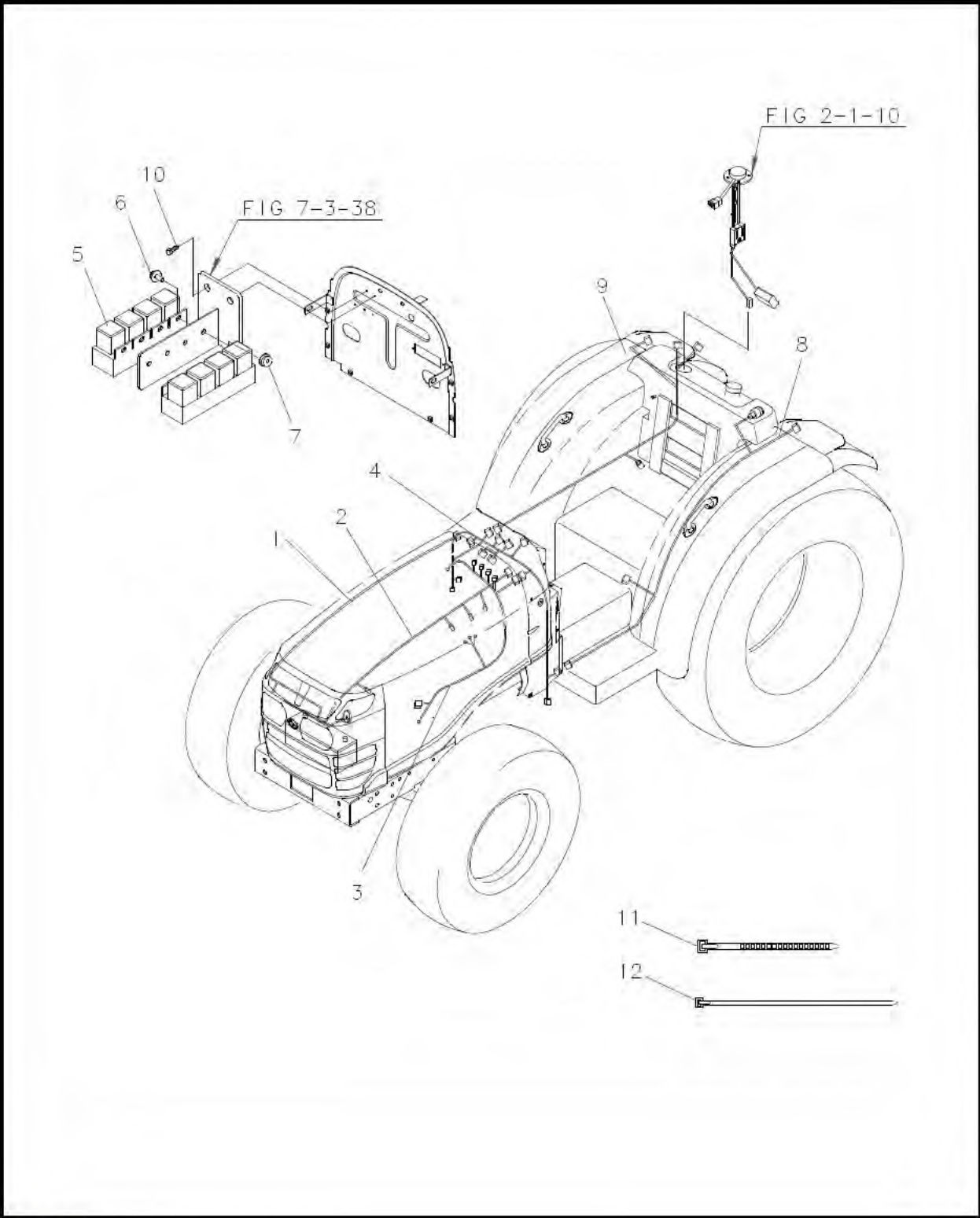
ELECTRICAL WIRING(730)

FIG. 7-1B



ELECTRICAL WIRING(730)

FIG. 7-1



ELECTRICAL WIRING(730)

FIG. 7-1B

AG

KEY NO.	PART NO.	PART NAME & DESCRIPTION	MODEL & Q'TY		APPLI. NO.	REMARK
			330HT	360HT		
1	A1730152	HARNESS, FRONT LIGHT	1	1		
2	A1730064	HARNESS, FRONT SENSOR	*	1		
3	A1730111	HARNESS, ENGINE UNIT	*	1		
	A1730180	HARNESS, ENGINE UNIT	1	*		
4	A1730251	HARNESS, PANEL	1	1		
5	A1730183	HARNESS, REAR(LH)	1	1		
6	A1730182	HARNESS, MIDDLE	1	1		
7	A0640015	CLAMP	5	5		
8	A0640028	TIE	14	14		
9	A0640009	TIE	15	15		
10	S155062033	BOLT, HEX	1	1		M6x1.0x20L
11	A5002054	HORN	1	1		

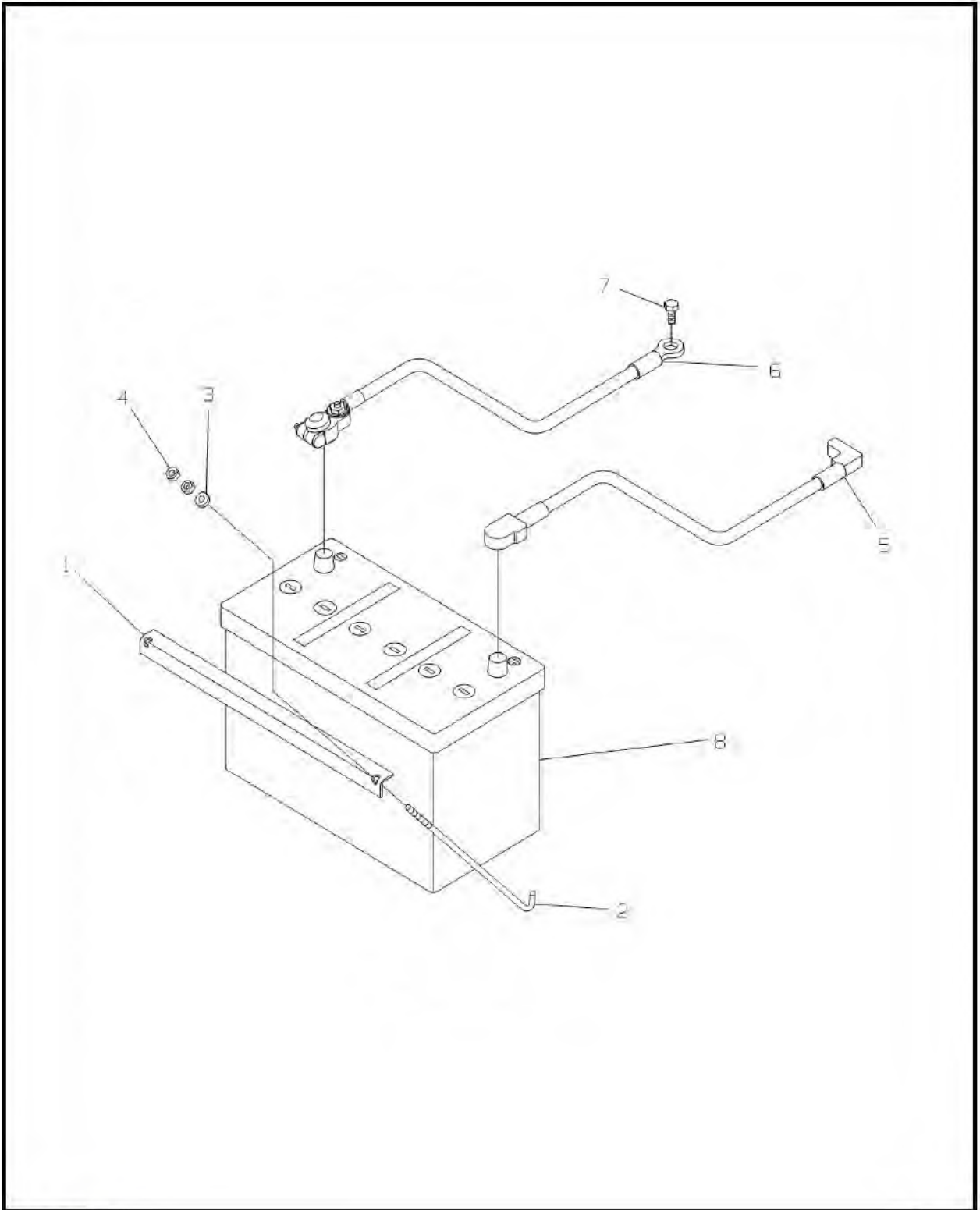
ELECTRICAL WIRING(730)

FIG. 7-1

KEY NO.	PART NO.	PART NAME & DESCRIPTION	MODEL & QTY		APPLI. NO.	REMARK
			330HT	360HT		
1	A1730152	HARNESS, FRONT LIGHT	1	1		
2	A1730108	HARNESS, FRONT SENSOR	*	1		
3	A1730111	HARNESS, ENGINE UNIT	*	1		
	A1730180	HARNESS, ENGINE UNIT	1	*		
4	A1730181	HARNESS, PANEL	1	1		
5	A1750242	RELAY, MICRO	8	8		
6	S157051633	BOLT, HEX W/WASHER	4	4		
7	S309050013	NUT, HEX	4	4		
8	A1730183	HARNESS, REAR(LH)	1	1		
9	A1730182	HARNESS, MIDDLE	1	1		
10	S159062033	BOLT, HEX W/WASHER	M6x1.0x20L	3	3	
11	A0640028	TIE		14	14	
12	A0640009	TIE		15	15	

BATTERY(740)

FIG. 7-2



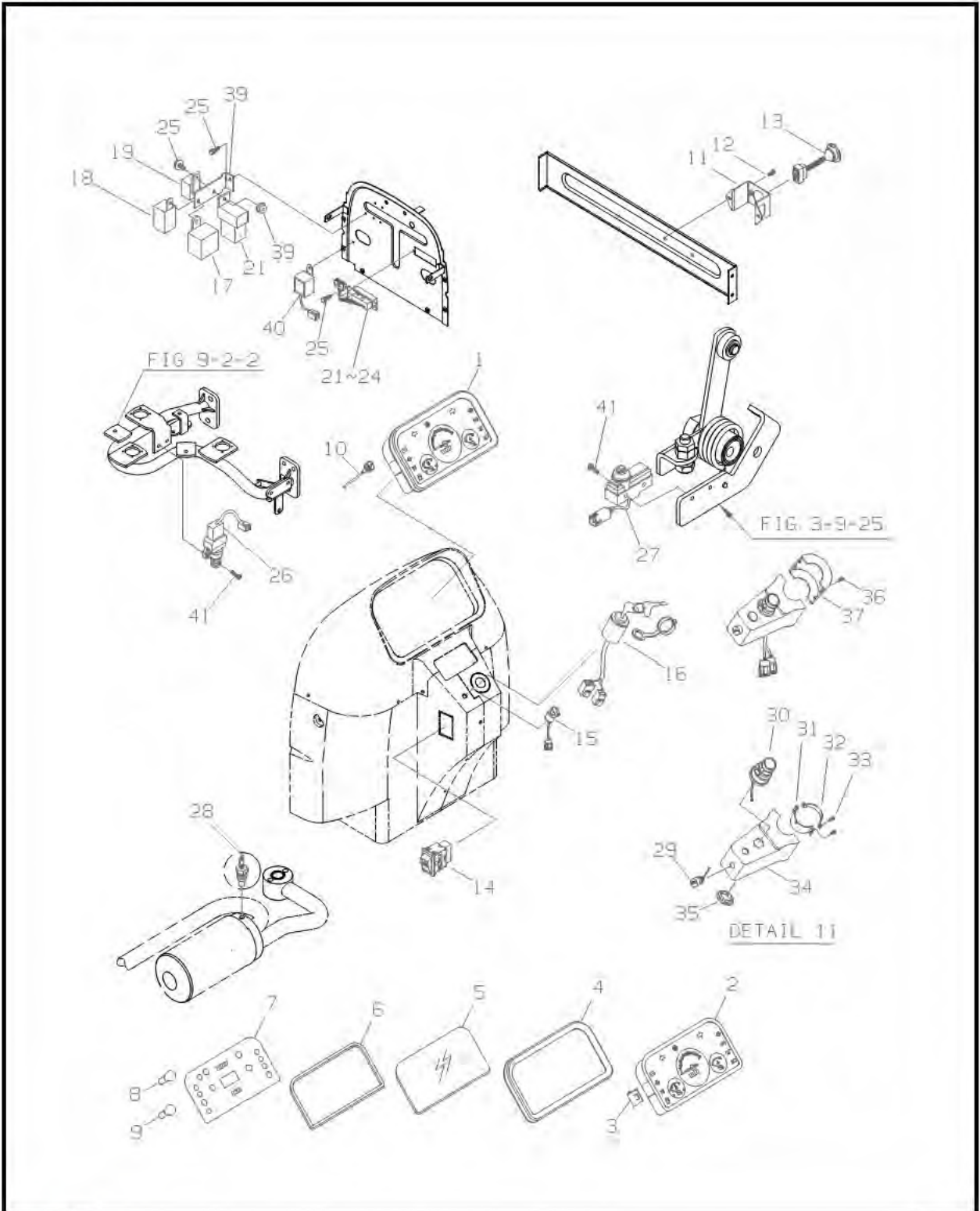
BATTERY(740)

FIG. 7-2

KEY NO.	PART NO.	PART NAME & DESCRIPTION		MODEL & QTY		APPLI. NO.	REMARK
				330HT	360HT		
1	A1740003	CLAMP, BATTERY		1	1		
2	A1741021	ROD, BATTERY CLAMP		2	2		
3	S363060013	WASHER, PLAIN		2	2		
4	S305060013	NUT, HEX	M6x1.0	4	4		
5	A1740020	CABLE, BATTERY(+) POS.		1	1		
6	A1740030	CABLE, BATTERY(-) NEG.		1	1		
7	S155082033	BOLT, HEX W/WASHER	M8X1.25x20L	1	1		
8	A1740002	BATTERY, MF	12V-80AH	1	1		

INSTRUMENT PANEL(750)

FIG. 7-3B



INSTRUMENT PANEL(750)

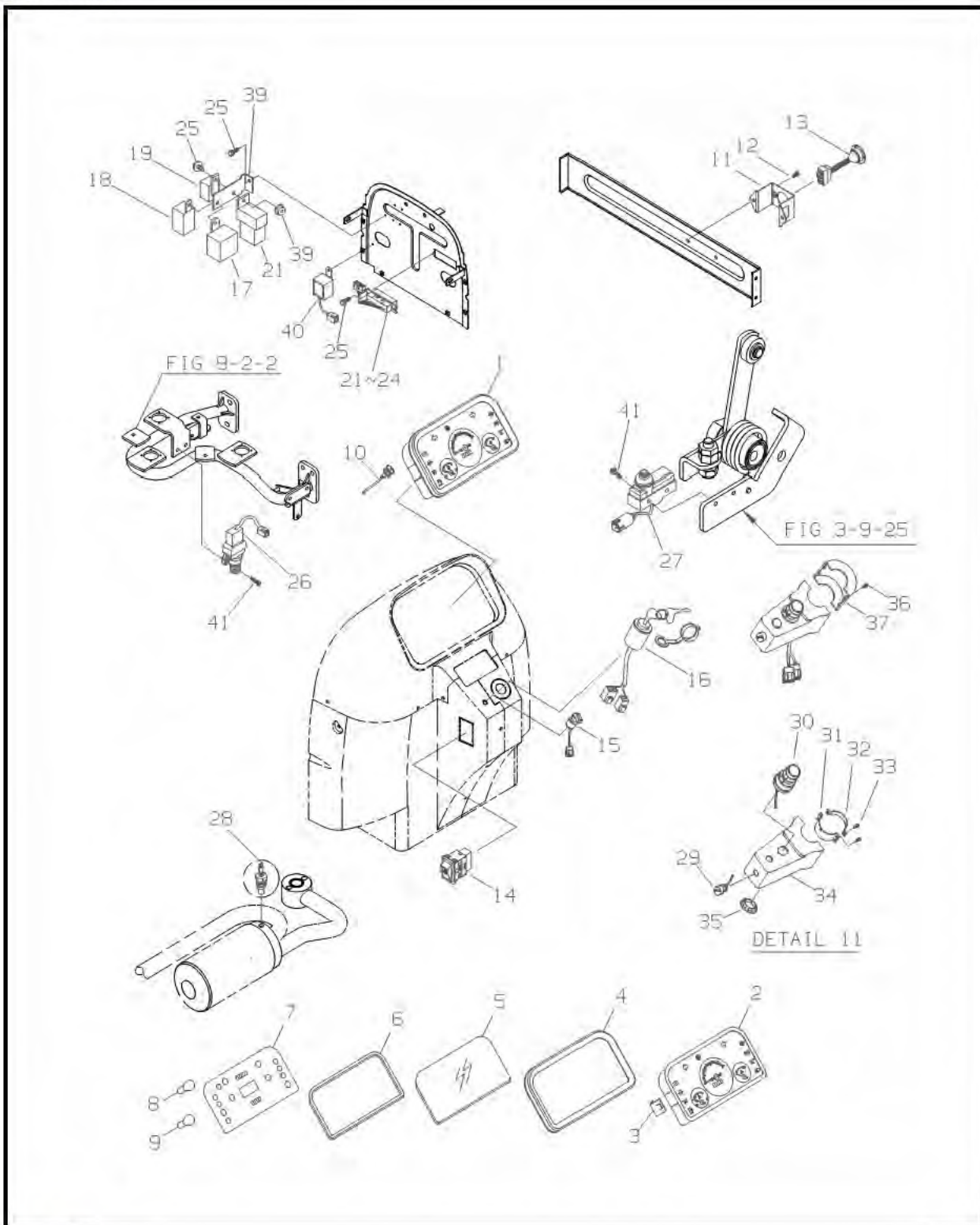
FIG. 7-3B

AG

KEY NO.	PART NO.	PART NAME & DESCRIPTION	MODEL & QTY		APPLI. NO.	REMARK
			330HT	360HT		
1	A1750217	INSTRUMENT PANEL ASSY	*	1		
	A1750239	INSTRUMENT PANEL ASSY	1	*		
2	A1750200	METER PANEL ASSY	*	1		
	A1750240	METER PANEL ASSY	1	*		
3	A1750139	BRACKET, PANEL	2	2		
4	A1750127	HOOD, PANEL	1	1		
5	A1750128	WINDOW GLASS, PANEL	1	1		
6	A1750137	PACKING, PANEL	1	1		
7	A1750143	PCB, PANEL	1	1		
8	A1750140	BULB	12V, 1.4W	6	6	
9	A1750141	BULB	12V, 3.4W	6	6	
10	A1750165	CABLE, TACHOMETER	*	1		
	A1750222	CABLE, TACHOMETER	1	*		
11	A1750267	BRACKET, 7-POLE	1	1		
12	S155081633	BOLT, HEX	M8X1.25X16L	4	4	
13	A1750171	CONNECTOR, 7-POLE	1	1		
14	A1750161	SWITCH, EMERGENCY	1	1		
15	A1750152	SWITCH, PTO SELECTOR	1	1		
16	A5001132	KEY SWITCH ASSY	1	1		
17	Q1800023	RELAY, GROW	1	1		
18	Q1800017	TIMER, GLOW	1	1		
19	Q1800018	RELAY, START	1	1		
20	A1750284	FLASHER	1	1		
21	A1750225	FUSE BOX ASY	1	1		
22	A0751005	FUSE	10A	6	6	
23	A0751006	FUSE	15A	2	2	
24	A0751007	FUSE	20A	3	3	
25	S159061633	BOLT, HEX W/WASHER	M6X1.0X16L	6	5	
26	A1750209	SWITCH, CLUTCH	1	1		
27	A1750227	SWITCH, NEUTRAL	1	1		
28	A1750175	HYD, SENSOR ASSY	1	1		OPT
29-35	A1750258	STR. COLUMN SW ASSY	1	1		
29	A1750179	SWITCH, HORN	1	1		
30	A1750257	SWITCH, COMBI	1	1		
31	A1750181	CLAMP A	1	1		
32	A1750182	CLAMP B	1	1		
33	S226401211	SCREW	M4X0.7X12L	4	4	
34	A1750178	COVER, COMBI. SW	1	1		
35	A1750187	CAP, RUBBER	1	1		
36	S224402511	SCREW	M4X0.7X25L	2	2	

INSTRUMENT PANEL(750)

FIG. 7-3B



INSTRUMENT PANEL(750)

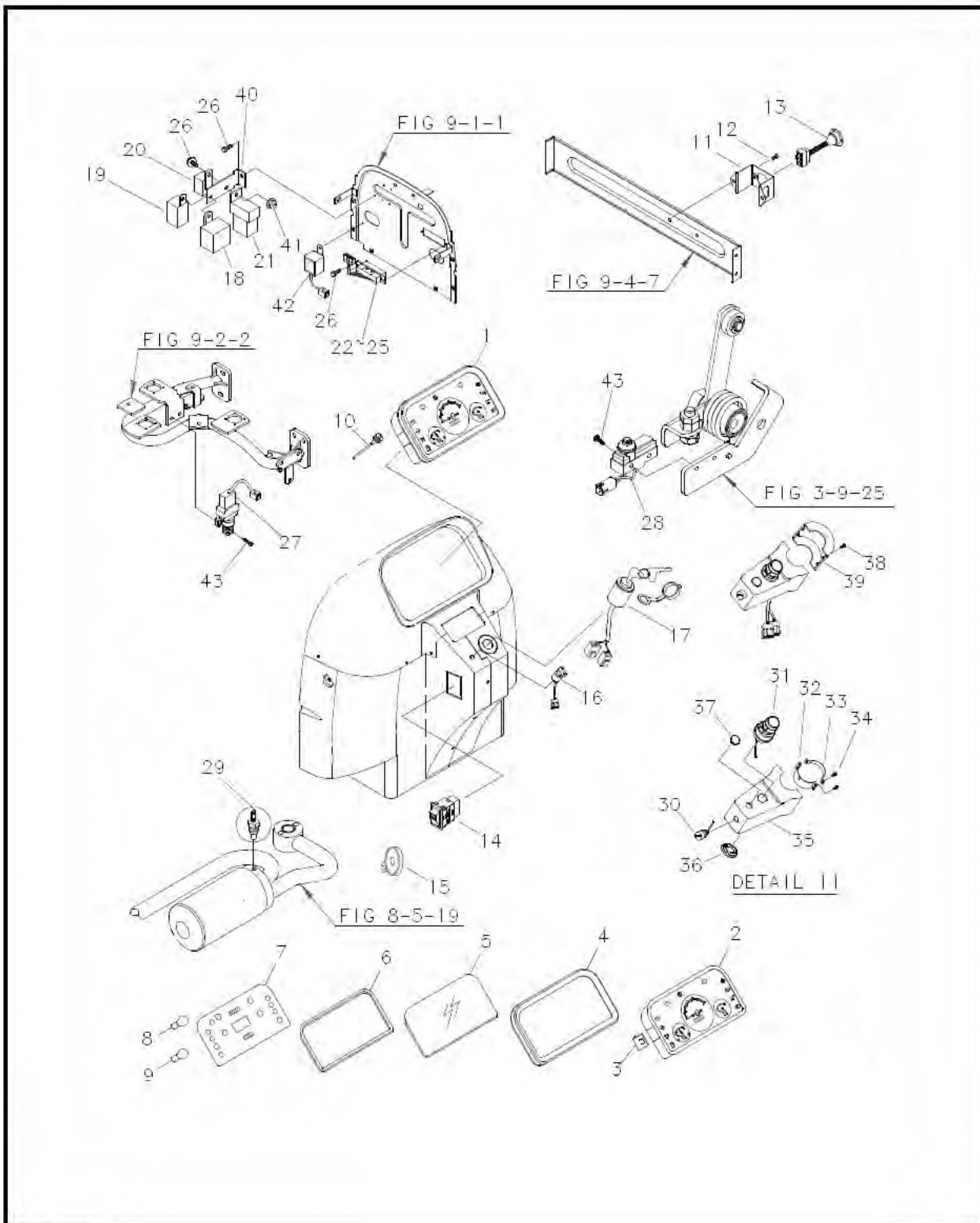
FIG. 7-3B

AG

KEY NO.	PART NO.	PART NAME & DESCRIPTION	MODEL & QTY		APPLI. NO.	REMARK
			330HT	360HT		
37	A1750153	COVER, COMB. SWITCH	1	1		
38	A1750226	BRACKET, RELAY	1	1		
39	S345060013	NUT, FLANGE B-TY	2	2		
40	A1750243	TIMER, ENGINE STOP	1	*		
41	S227402511	SCREW	4	4		

INSTRUMENT PANEL(750)

FIG. 7-3



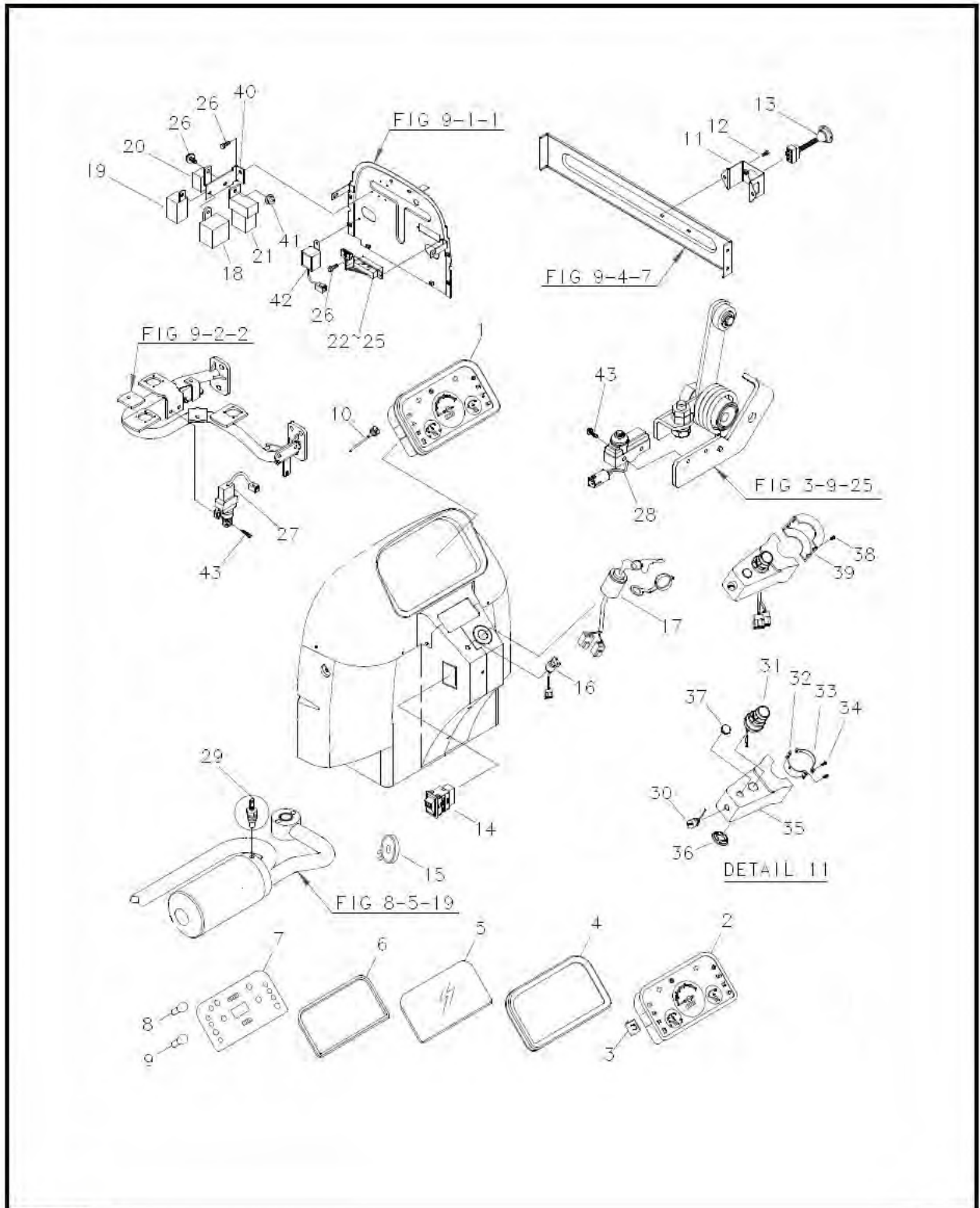
INSTRUMENT PANEL(750)

FIG. 7-3

KEY NO.	PART NO.	PART NAME & DESCRIPTION	MODEL & QTY		APPLI. NO.	REMARK
			330HT	360HT		
1	A1750217	INSTRUMENT PANEL ASSY	*	1		
	A1750239	INSTRUMENT PANEL ASSY	1	*		
2	A1750200	METER PANEL ASSY	*	1		
	A1750240	METER PANEL ASSY	1	*		
3	A1750139	BRACKET, PANEL	2	2		
4	A1750127	HOOD, PANEL	1	1		
5	A1750128	WINDOW GLASS, PANEL	1	1		
6	A1750137	PACKING, PANEL	1	1		
7	A1750193	PCB, PANEL	1	1		
8	A1750140	BULB	12V, 1.4W	6	6	
9	A1750141	BULB	12V, 3.4W	6	6	
10	A1750166	CABLE, TACHOMETER	*	1		
	A1750222	CABLE, TACHOMETER	1	*		
11	A1750172	BRACKET, 7-POLE	1	1		
12	S155081633	BOLT, HEX	M8X1.25X16L	4	4	
13	A1750171	CONNECTOR, 7-POLE	1	1		
14	A1750161	SWITCH, EMERGENCY	1	1		
15	A1730121	HORN ASSY	1	1		
16	A1750152	SWITCH, PTO SELECTOR	1	1		
17	A5001132	KEY SWITCH ASSY	1	1		
18	Q1800011	GLOW RELAY ASSY	1	1		
19	Q1800017	TIMER, GLOW	1	1		
20	Q1800018	RELAY, START	1	1		
21	A1750251	FLASHER	1	1		
22	A1750225	FUSE BOX ASY	1	1		
23	A0751005	FUSE	10A	6	6	
24	A0751006	FUSE	15A	2	2	
25	A0751007	FUSE	20A	3	3	
26	S159061633	BOLT, HEX W/WASHER	M6X1.0X16L	6	5	
27	A1750209	SWITCH, CLUTCH	1	1		
28	A1750227	SWITCH, NEUTRAL	1	1		
29	A1750175	HYD, SENSOR ASSY	1	1		
30-37	A1750177	STR. COLUMN SW ASSY	1	1		
30	A1750179	SWITCH, HORN	1	1		
31	A1750180	SWITCH, COMBI	1	1		
32	A1750181	CLAMP A	1	1		
33	A1750182	CLAMP B	1	1		
34	S226401211	SCREW	M4X0.7X12L	4	4	
35	A1750178	COVER, COMBI. SW	1	1		
36	A1750187	CAP, RUBBER	1	1		

INSTRUMENT PANEL(750)

FIG. 7-3



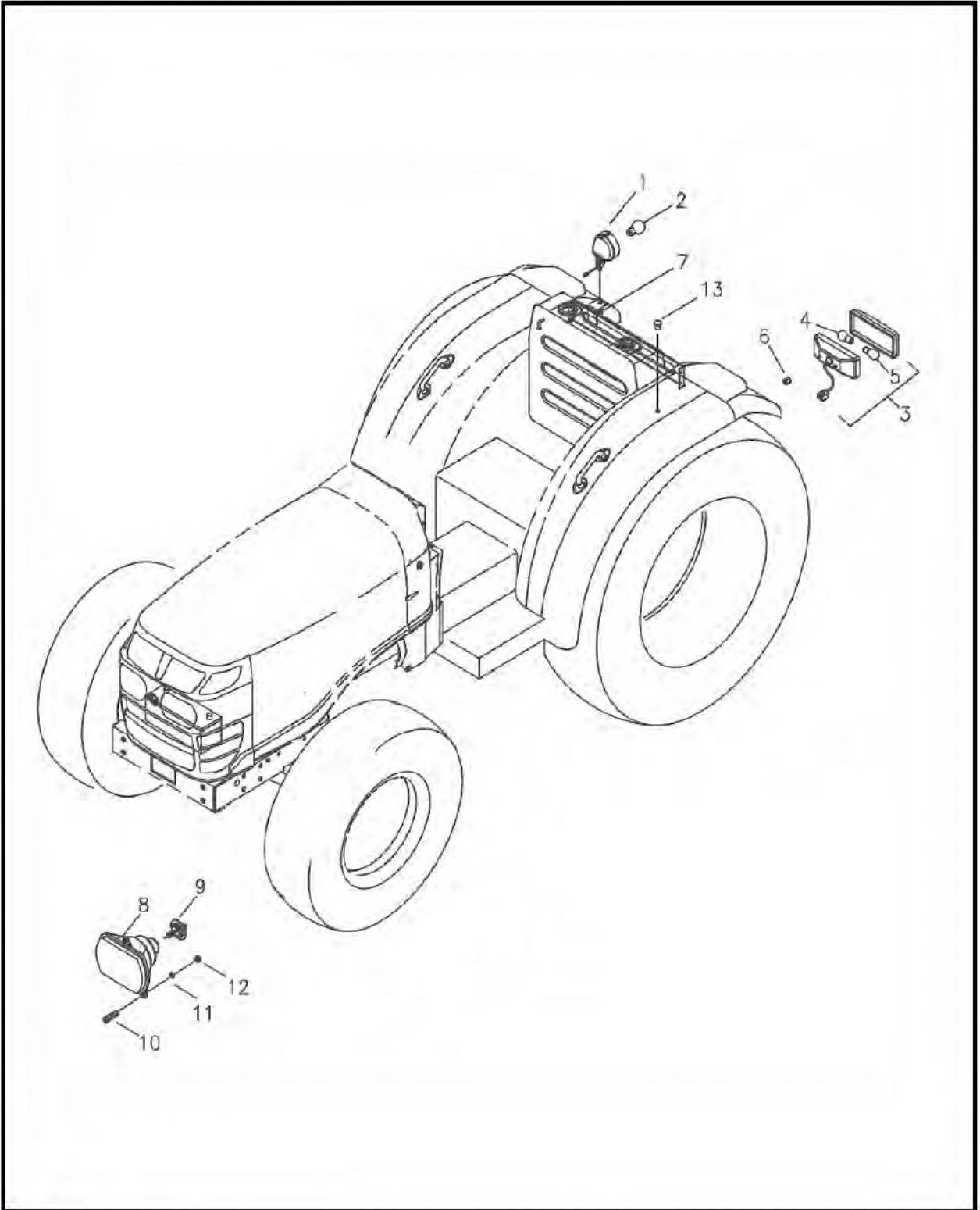
INSTRUMENT PANEL(750)

FIG. 7-3

KEY NO.	PART NO.	PART NAME & DESCRIPTION		MODEL & QTY		APPLI. NO.	REMARK
				330HT	360HT		
37	A1750230	CAP, RUBBER		1	1		
38	S224402511	SCREW	M4X0.7X25L	2	2		
39	A1750153	COVER, COMB. SWITCH		1	1		
40	A1750226	BRACKET, RELAY		1	1		
41	S345060013	NUT, FLANGE B-TY		2	2		
42	A1750243	TIMER, ENGINE STOP		1	*		
43	S227402511	SCREW		4	4		

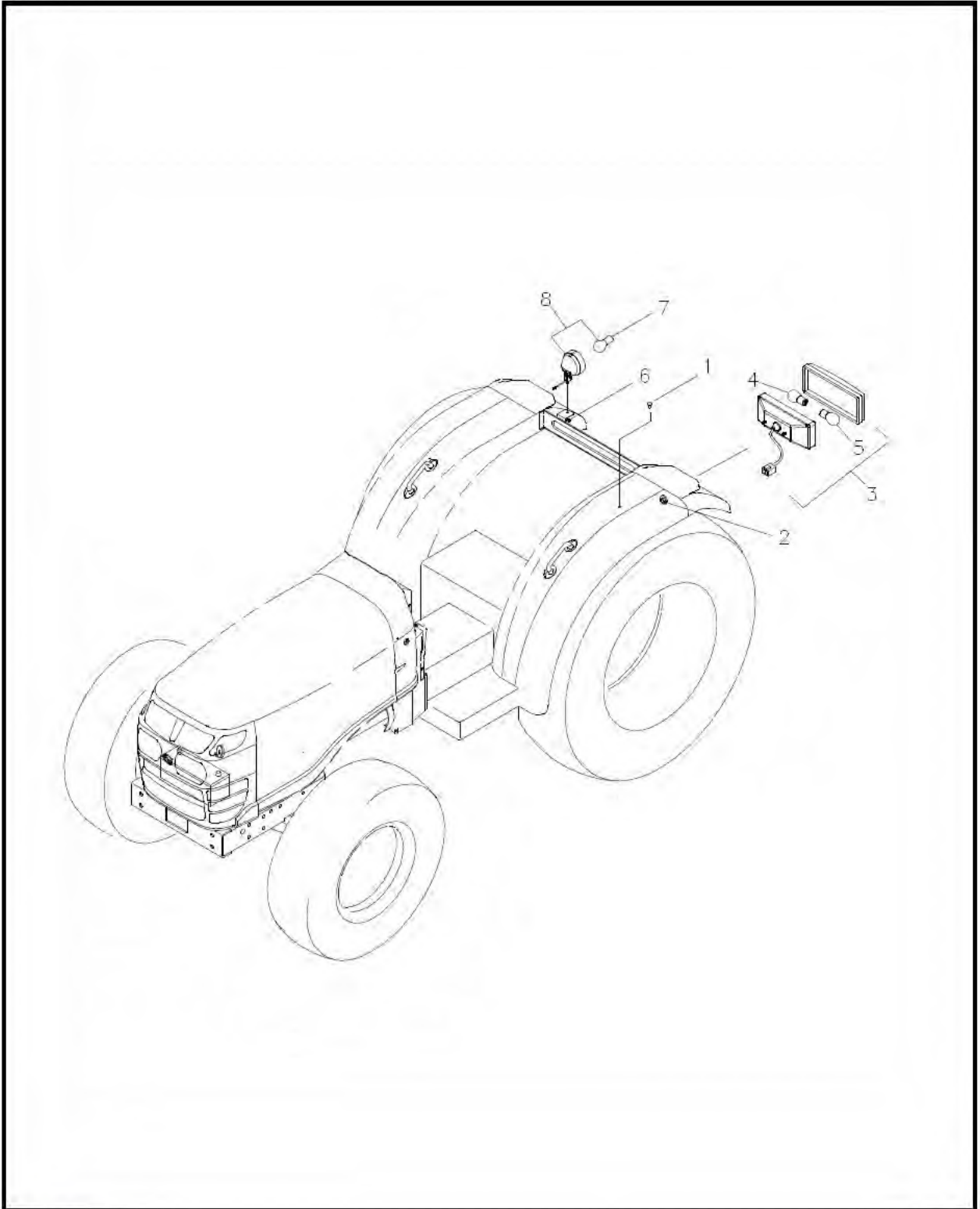
LAMP(760)

FIG. 7-4A



LAMP(760)

FIG. 7-4



LAMP(760)

FIG. 7-4A

EX, AG, TF

KEY NO.	PART NO.	PART NAME & DESCRIPTION		MODEL & QTY		APPLI. NO.	REMARK
				330HT	360HT		
1	A1760037	LAMP, WORKING		1	1		
2	A1760043	BULB	12V/23W	1	1		
3	A1760047	COMBI LAMP ASSY		2	2		
4	A1760016	BULB	12V/21/5W	2	2		
5	A1760017	BULB	12V/21W	3	3		
6	S345050013	NUT, HEX	M5x1.0P	4	4		
7	S313080013	NUT, HEX	M8x1.25P	1	1		
8	A1760044	HEAD LAMP		2	2		
9	A1760048	BULB	12V, 40/45W	2	2		
10	A1760003	SPRING		6	6		
11	S364060013	WASHER, PLN. F-RD		6	6		
12	A1970309	NUT, LOCK		6	6		
13	A0610083	PLUG		2	2		

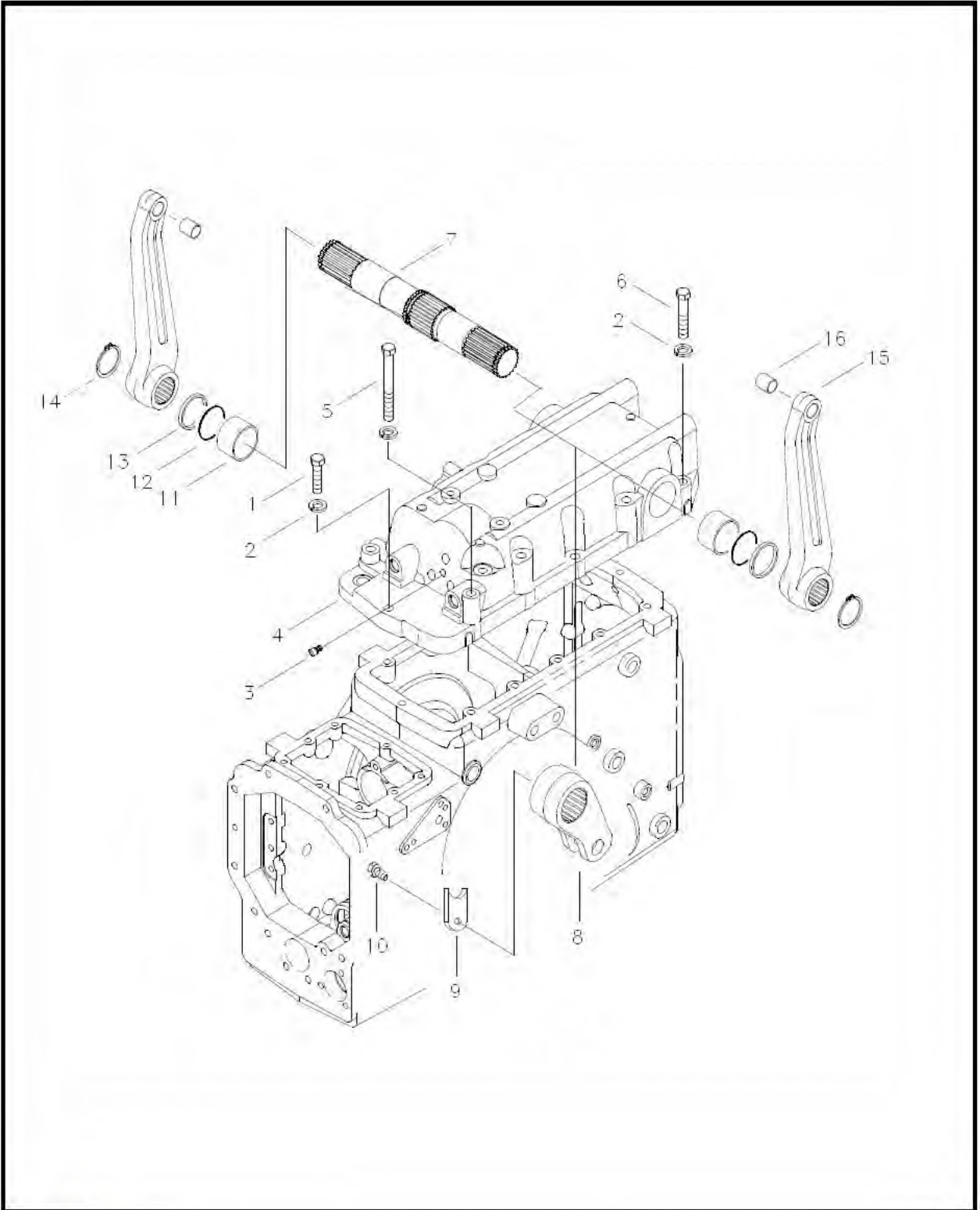
LAMP(760)

FIG. 7-4

KEY NO.	PART NO.	PART NAME & DESCRIPTION		MODEL & QTY		APPLI. NO.	REMARK
				330HT	360HT		
1	A0610083	PLUG	LG 3385	2	2		
2	S345050013	NUT, FLANGE B-TY	M5X1.0	4	4		
3	A1760047	COMB. LAMP ASSY		2	2		
4	A1760016	BULB, COMBIN LAMP ASSY	12V/21/5W	2	2		
5	A1760017	BULB, COMBIN TAIL	12V/21W	2	2		
6	S313080013	NUT, HEX	M8X1.25	3	3		
7~8	A1760037	WORKING ASSY	LG 2343	1	1		
7	A1760043	BULB, WORK LAMP	12V/23W, LG4060	1	1		
8	*	HOUSING, LAMP		1	1		

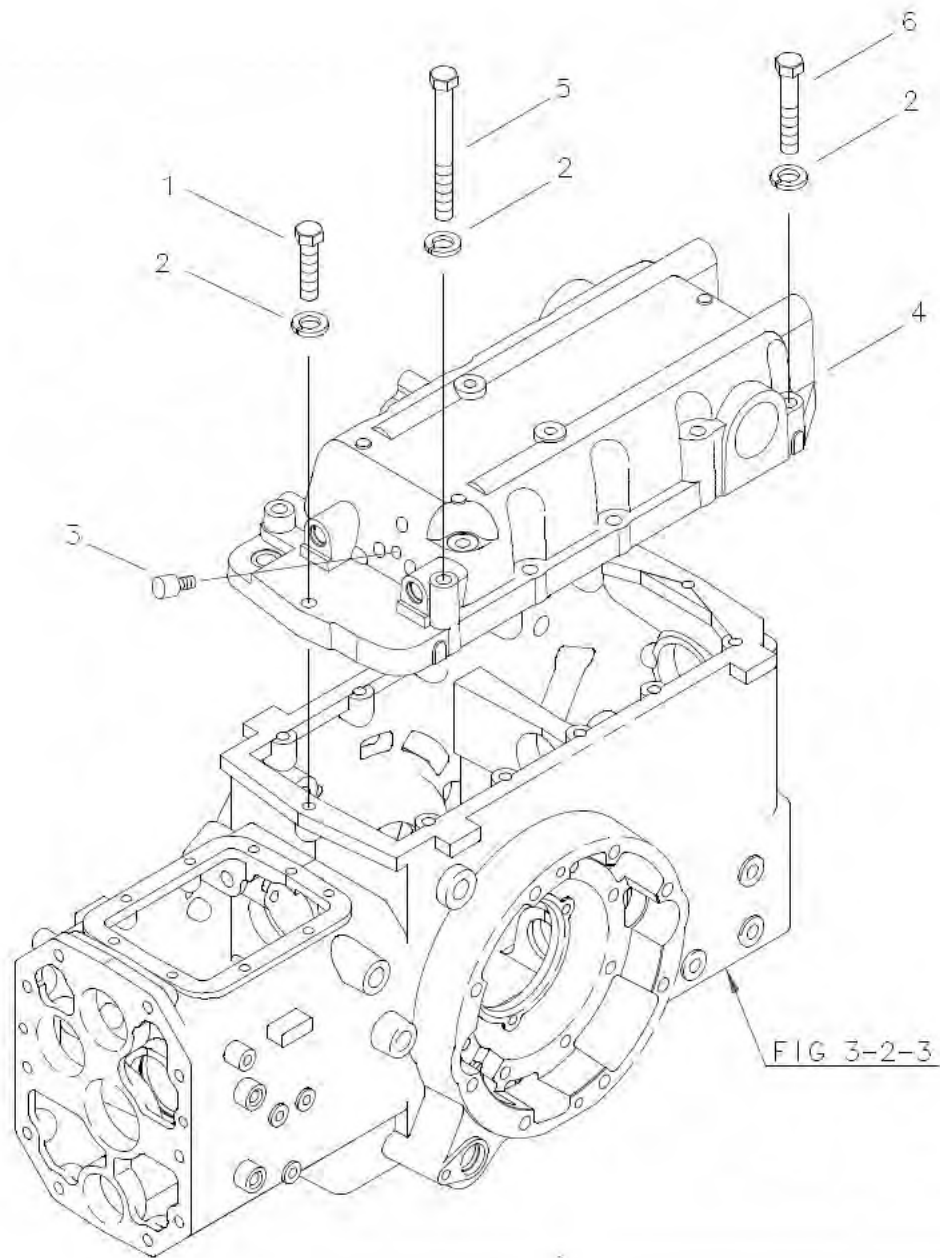
HYDAULIC HOUSING(820)

FIG. 8-1



HYDAULIC HOUSING(820)

FIG. 8-1



HYDAULIC HOUSING(820)

FIG. 8-1

KEY NO.	PART NO.	PART NAME & DESCRIPTION		MODEL & QTY		APPLI. NO.	REMARK
				330HT	360HT		
1	S105124543	BOLT, HEX. SMALL	M12×1.75×45	4	4		
2	S361120013	WASHER, SPRING	φ21.5×φ12.2×3t	12	12		
3	A1250049	PLUG, AIRVENT		1	1		
4	A1820032	HOUSING, HYD		1	1		
5	S105128543	BOLT, HEX. SMALL	M12×1.75×85	3	3		
6	S105126043	BOLT, HEX. SMALL	M12×1.75×60	4	4		
7	A1821030	SHAFT, HYD. LIFT		1	1		
8	A1821029	ARM, POWER		1	1		
9	A1826094	PLATE, LOCK		1	1		
10	S153081633	BOLT, HEX	M8×1.25×16	1	1		
11	3A1821005	BUSHING	φ45×φ50×30	2	2		
12	S802045010	O-RING	D44.4×3.1	2	2		
13	3A1821004	COLLAR	φ45×φ50×5	2	2		
14	S810042001	RING, SNAP	φ38.5	2	2		
15	2A1821006	ARM, LIFT		2	2		
16	3A1821007	BUSHING	φ19×φ22×25	2	2		

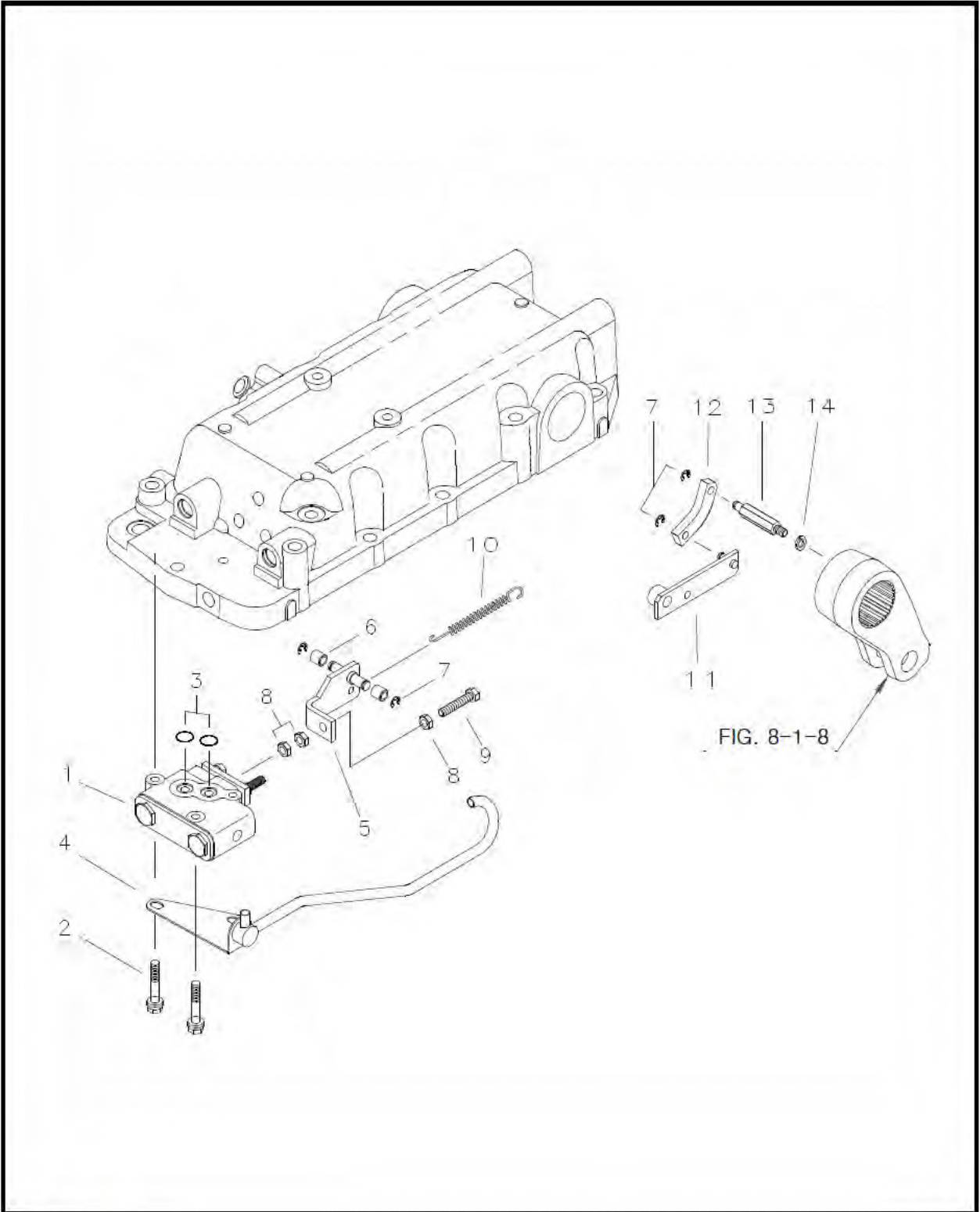
HYDAULIC HOUSING(820)

FIG. 8-1

KEY NO.	PART NO.	PART NAME & DESCRIPTION		MODEL & Q'TY		APPLI. NO.	REMARK
				330HT	360HT		
1	S105124543	BOLT, HEX . SMALL	M12×1.75×45L	5	5		
2	S361120013	WASHER, SPRING	φ12.2×φ21.5×3.0t	12	12		
3	A1250049	PLUG, AIRVENT		1	1		
4	A1820032	HOUSING, HYD. LIFT		1	1		
5	S105128543	BOLT, HEX . SMALL	M12×1.75×85L	3	3		
6	S105126043	BOLT, HEX . SMALL	M12×1.75×60L	4	4		

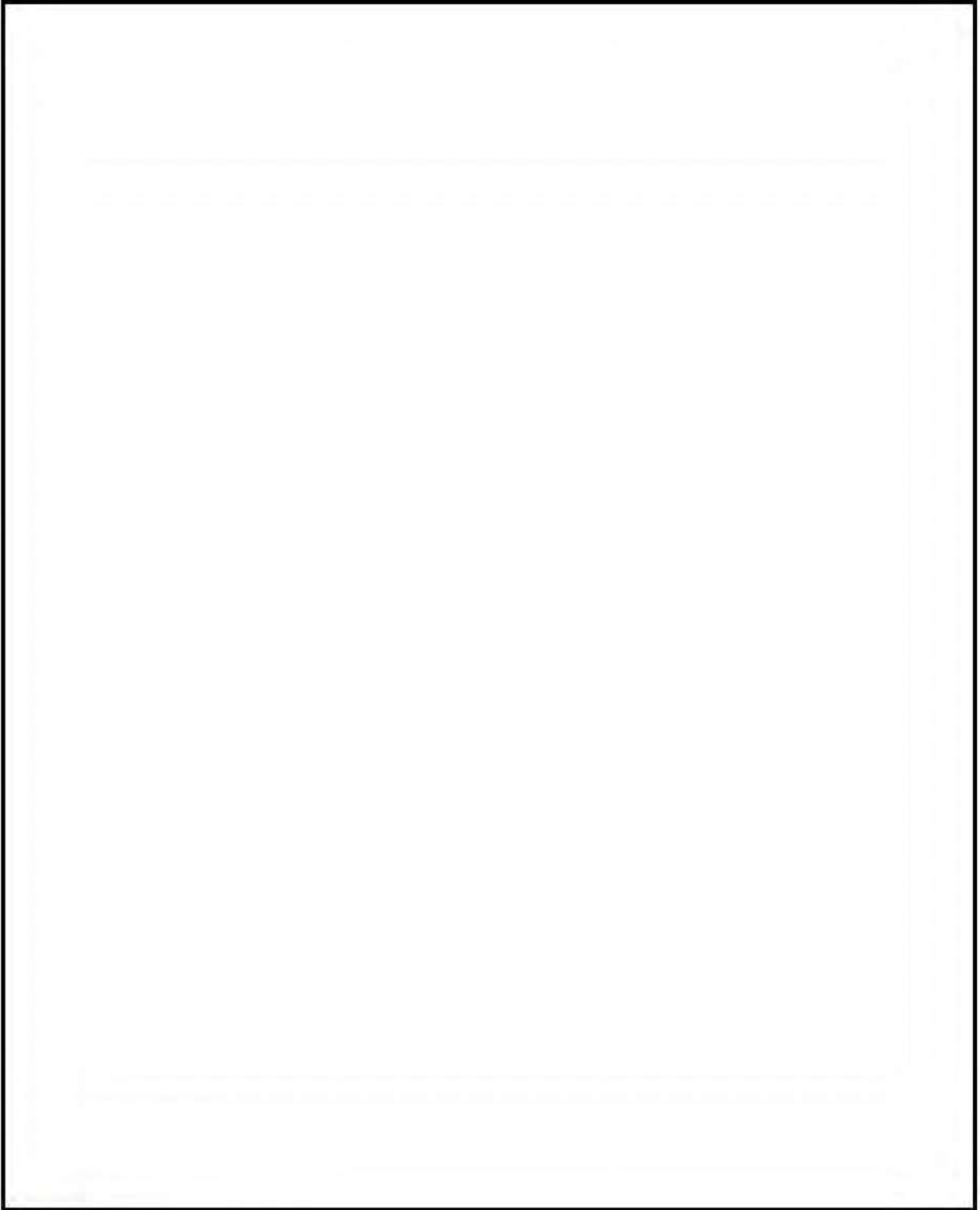
CONTROL VALVE & LINK(822)

FIG. 8-3



CONTROL VALVE & LINK(822)

FIG. 8-3



CONTROL VALVE & LINK(822)

FIG. 8-3

KEY NO.	PART NO.	PART NAME & DESCRIPTION		MODEL & QTY		APPLI. NO.	REMARK
				330HT	360HT		
1	A1822151	VALVE, CONTROL		1	1		
2	S155085033	BOLT, HEX	M8×1.25×50L	3	3		
3	S801012020	O-RING	φ11.8×2.4	2	2		
4	2A1822012	PIPE, LUBRICATION		1	1		
5-7	A1824025	CLEVIS ASSY		1	1		
5	A1824030	CLEVIS		1	1		
6	3A1822006	ROLLER	φ8×φ12×12.5L	2	2		
7	S814006003	RING, SNAP (E)	φ6	4	4		
8	S313080043	NUT, HEX	M8×1.25	3	3		
9	S163085043	BOLT, HEX	M8×1.25×50L	1	1		
10	A1822086	SPRING		1	1		
11	A1824028	LINK		1	1		
12	3A1822010	LINK (E)		1	1		
13	A1822031	PIN	H12	1	1		
14	S361080013	WASHER, SPRING	φ8.2×φ15.4×2.0t	1	1		

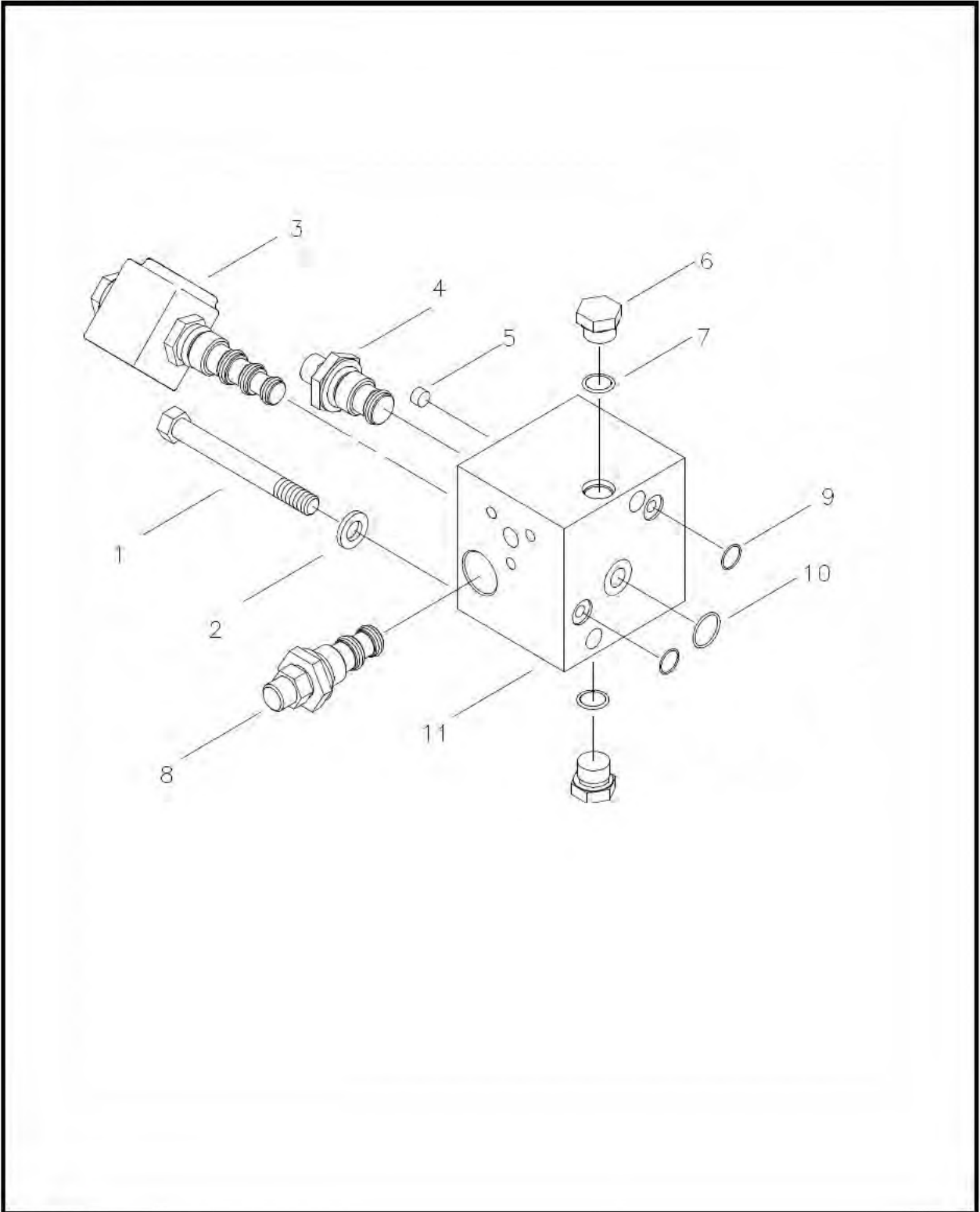
CONTROL VALVE & LINK(822)

FIG. 8-3

KEY NO.	PART NO.	PART NAME & DESCRIPTION		MODEL & Q'TY		APPLI. NO.	REMARK
				330HT	360HT		
1	A1822111	VALVE, CONTROL		1	1		
2	S155085033	BOLT, HEX	M8×1.25×50L	3	3		
3	S801012020	O-RING	φ11.8×2.4	2	2		
4	2A1822012	PIPE, LUBRICATION		1	1		
5-7	A1824025	CLEVIS ASSY		1	1		
5	A1824030	CLEVIS		1	1		
6	3A1822006	ROLLER	φ8×φ12×12.5L	2	2		
7	S814006003	RING, SNAP (E)	φ6	4	4		
8	S313080043	NUT, HEX	M8×1.25	3	3		
9	S163085043	BOLT, HEX	M8×1.25×50L	1	1		
10	A1822086	SPRING		1	1		
11	A1824028	LINK		1	1		
12	3A1822010	LINK (E)		1	1		
13	A1822031	PIN	H12	1	1		
14	S361080013	WASHER, SPRING	φ8.2×φ15.4×2.0t	1	1		

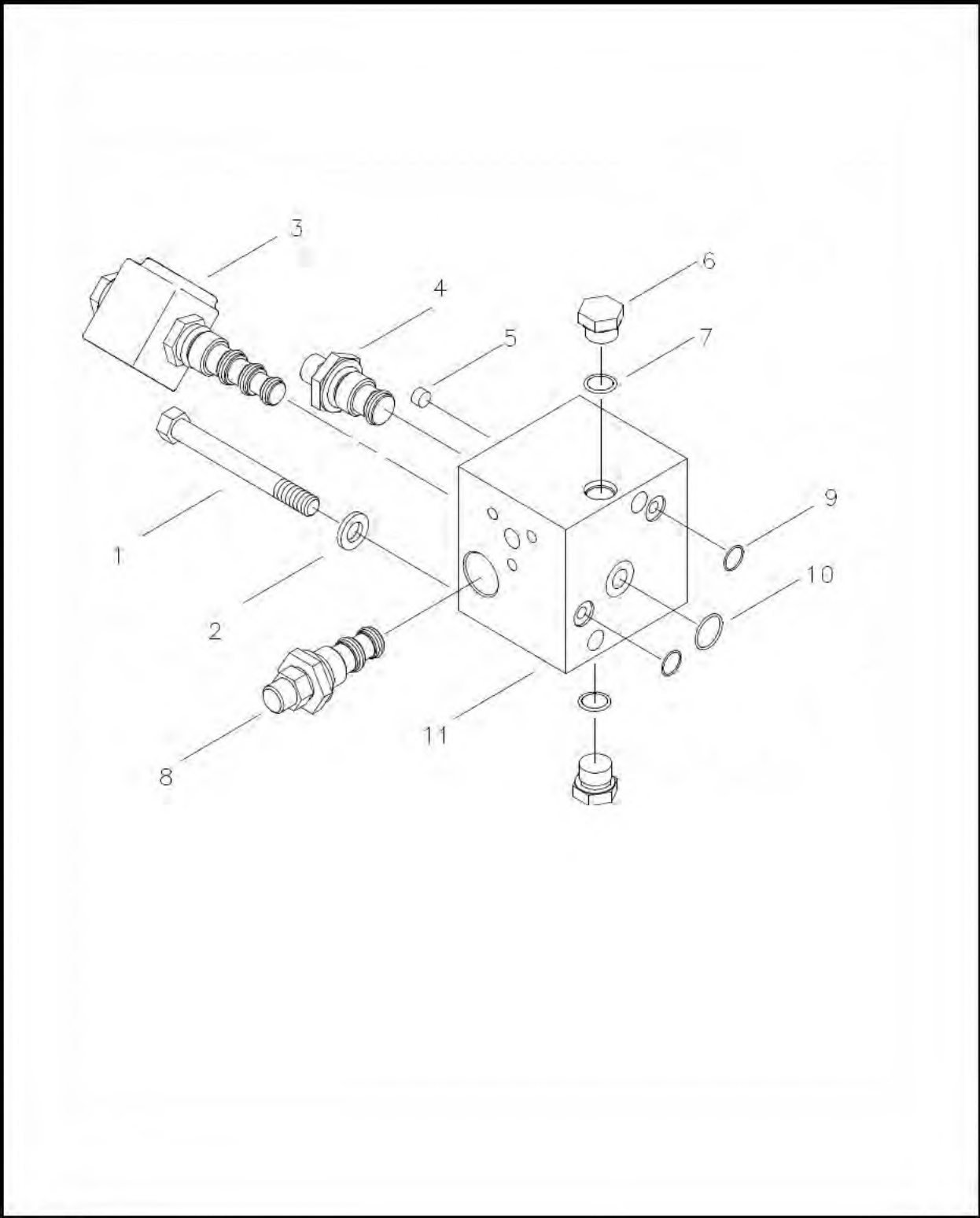
INDEPENDENT PTO VALVE(822)

FIG. 8-4A



INDEOENDENT PTO VALVE(822)

FIG. 8-4



INDEPENDENT PTO VALVE(822)

FIG. 8-4A

KEY NO.	PART NO.	PART NAME & DESCRIPTION		MODEL & QTY		APPLI. NO.	REMARK
				330HT	360HT		
1	S107109043	BOLT, HEX	M10×1.25×90	2	2		
2	S361100013	WASHER, SPRING	φ18.4×φ10.2×2.5t	2	2		
3-11	A1822089	IND. PTO VAVLE ASSY		1	1		
3	A1822091	VAVLE, SOLENOID		1	1		
4	A1822105	VALVE, SEQUENCE		1	1		
5	A1822095	ORIFICE	φ1.3	1	1		
6	A1822094	PLUG	PF1/4	2	2		
7	S801011010	O-RING	D10.8x2.4	2	2		
8	A1822093	REDUCING VALVE		1	1		
9	S801011011	O-RING	D9.8x2.4	2	2		
10	S801018010	O-RING	D17.8x2.4	1	1		
11	A1822090	BODY, PTO VALVE		1	1		

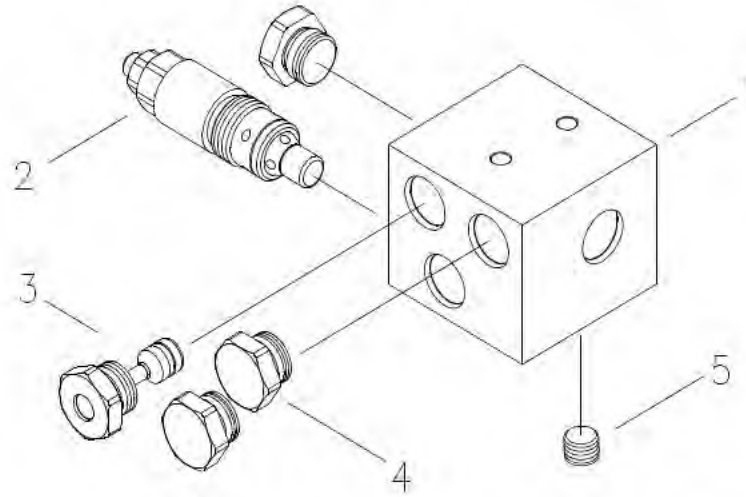
INDEOENDENT PTO VALVE(822)

FIG. 8-4

KEY NO.	PART NO.	PART NAME & DESCRIPTION		MODEL & Q'TY		APPLI. NO.	REMARK
				330HT	360HT		
1	S107109043	BOLT, HEX	M10×1.25×90L	2	2		
2	S361100013	WASHER, SPRING	Φ10.2×Φ18.4×2.5t	2	2		
3-11	A1822089	IND . PTO VAVLE ASSY		1	1		
3	A1822092	VAVLE, SEQUENCE		1	1		
4	A1822095	ORIFICE		1	1		
5	A1822093	VAVLE, REDUCING		1	1		
6	A1822091	VAVLE, SOLENOID		1	1		
7	A1822090	BLOCK, IND . PTO VAVLE		1	1		
8	S801010011	O-RING	Φ10.8×2.4	2	2		
9	S801018010	O-RING	Φ17.8×2.4	1	1		
10	A1822094	PLUG	PF1/4"	2	2		
11	S801011010	O-RING	Φ10.8×2.4	2	2		

FRONT OUTLET & LOADER VALVE(822)

FIG. 8-4B



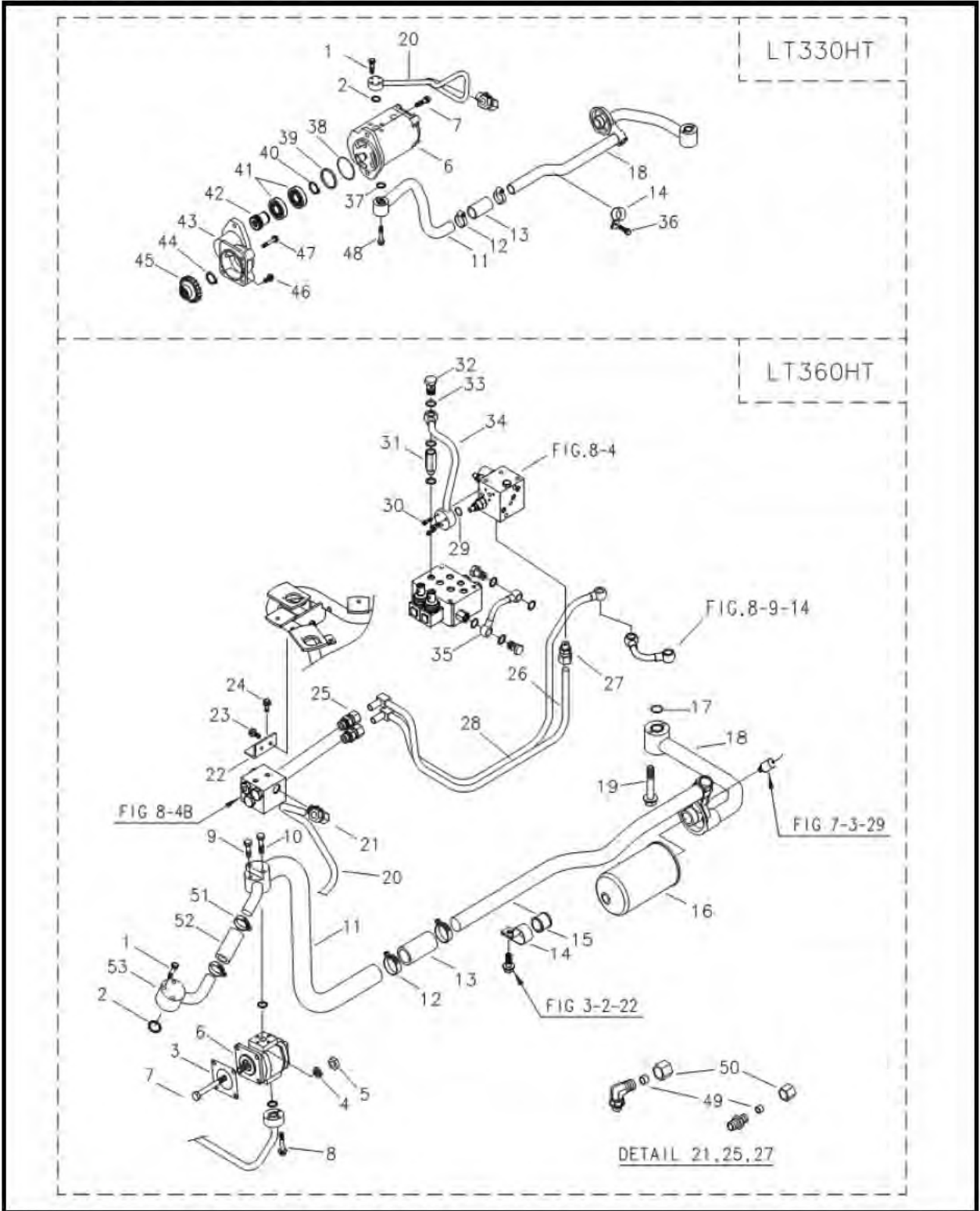
FRONT OUTLET & LOADER VALVE(822)

FIG. 8-4B

KEY NO.	PART NO.	PART NAME & DESCRIPTION		MODEL & QTY		APPLI. NO.	REMARK
				330HT	360HT		
1-5	A1822127	OUTLET VALVE ASSY		1	1		
1	A1822128	VALVE BLOCK		1	1		
2	A1822077	VALVE, RELIEF		1	1		
3	A1822131	PLUG, CARRY OVER		1	1		
4	A5001244	PLUG	PF1/2	3	3		
5	A0610168	PLUG	PT1/4	1	1		

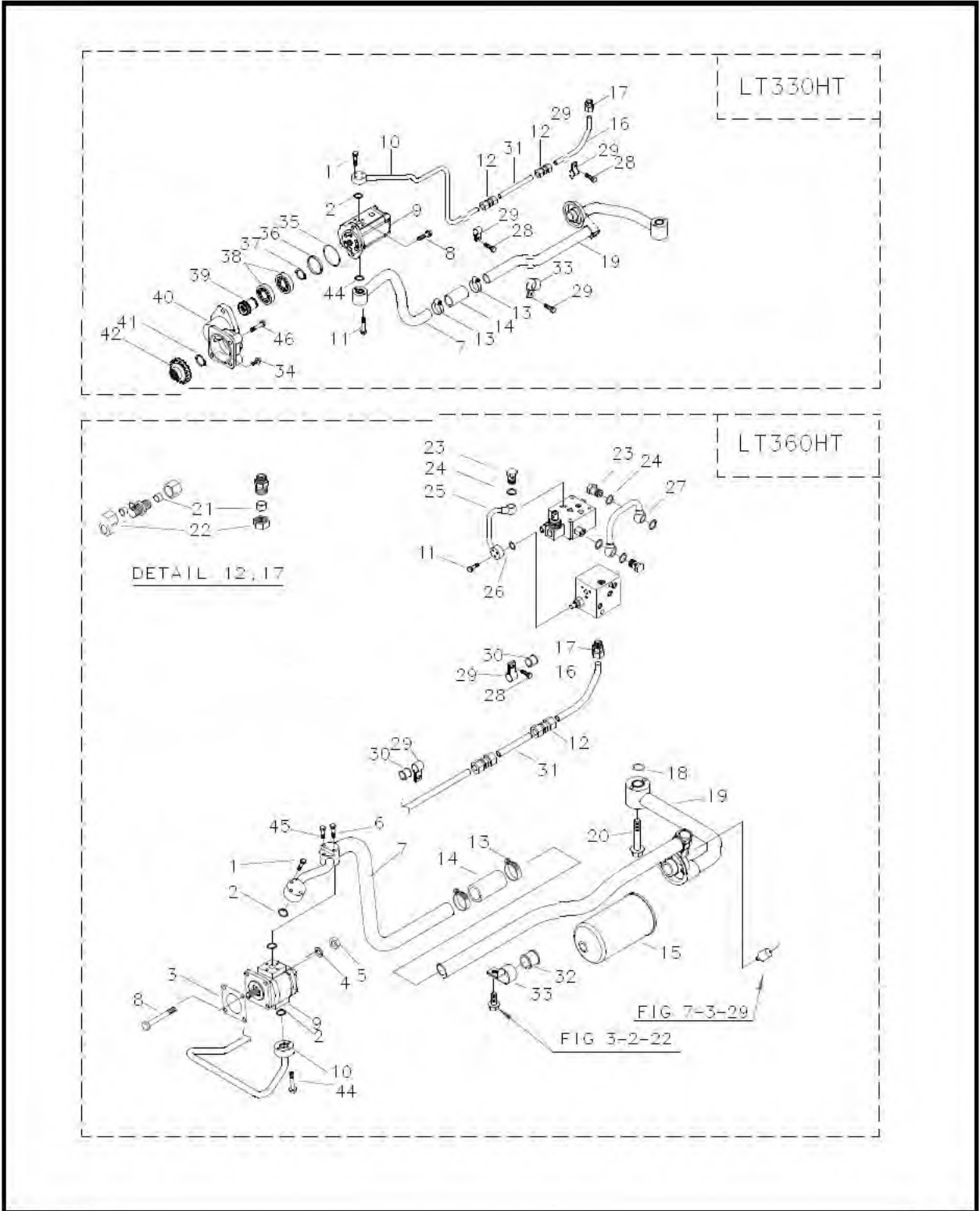
HYDRAULIC PIPE(823)

FIG. 8-5B



HYDRAULIC PIPE(823)

FIG. 8-5



HYDRAULIC PIPE(823)

FIG. 8-5B

AG, VA

KEY NO.	PART NO.	PART NAME & DESCRIPTION		MODEL & QTY		APPLI. NO.	REMARK
				330HT	360HT		
1	S153064533	BOLT, HEX	M6×1.0×45L	*	3		
	S153083533	BOLT, HEX	M8×1.25×35L	4	*		
2	S801018010	O-RING	Φ17.8×2.4	1	3		
3	3A1823010	GASKET, PUMP	0.5t	*	1		
4	S361080013	WASHER, SPRING	Φ8.2×Φ15.4×2.0t	*	4		
5	S313080043	NUT, HEX . S 2-TY	M8×1.25	*	2		
6	A1823279	PUMP, HYD . LIFT	12cc/rev	*	1		
	A1823351	PUMP, HYD . LIFT	7.2/12 cc/rev	1	*		
7	A1970325	BOLT, HEX.	M8×1.25×150L	*	2		
	S107103033	BOLT, HEX.	M10×1.25×30L	2	*		
8	S153063533	BOLT, HEX	M6×1.0×35L	*	3		
9	S153064033	BOLT, HEX	M6×1.0×40L	*	1		
10	S153065033	BOLT, HEX	M6×1.0×50L	*	2		
11	A1823535	PIPE, FRT/SUCTION	Φ35	*	1		
	A1823344	PIPE, FRT/SUCTION	Φ35	1	*		
12	A1970201G	CLAMP, HOSE	27-50	2	2		
13	A5000401	HOSE, SUCTION		1	1		
14	A1823350	CLAMP		*	1		
	A1823307	CLAMP		1	*		
15	A1823313	CUSHION , CLAMP		1	1		
16	A1823315	FILTER, HYD		1	1		
17	S804030010	O-RING	Φ29.5×2.0	1	1		
18	A1823343	PIPE, R/SUCTION	Φ35	*	1		
	A1823345	PIPE, R/SUCTION	Φ35	1	*		
19	S154107533	BOLT, HEX	M10×1.25×75L	2	2		
20	A1823498	PIPE, FRONT PRESSURE		1	1		
21	A1823092	ELBOW		1	1		
22	A1822157	BRACKET, OUTLET VALVE		1	1		
23	S153082533	BOLT, HEX. W/WASHER	M8×1.25×25L	2	2		
24	S153082033	BOLT, HEX. W/WASHER	M8×1.25×20L	2	2		
25	A1823144	JOINT	BOM15-04G	2	2		
26	A1823502	PIPE, MIDDLE PRESSURE		1	1		
27	A1823189	JOINT	BOM15-03G	1	1		
28	A1823500	PIPE, VALVE DRAIN		1	1		
29	S801016010	O-RING	Φ15.8×2.4	1	1		
30	S153063033	BOLT, HEX	M6×1.0×30L	3	3		
31	A1827157	CONNECTOR		1	1		
32	A1630201	BOLT, UNION	PF3/8	3	3		
33	A1823245	SEAL, BONDED	Φ16.8×Φ24×1.5t	6	6		
34	A1823181	PIPE, AUX . PRESSURE	Φ12	1	1		

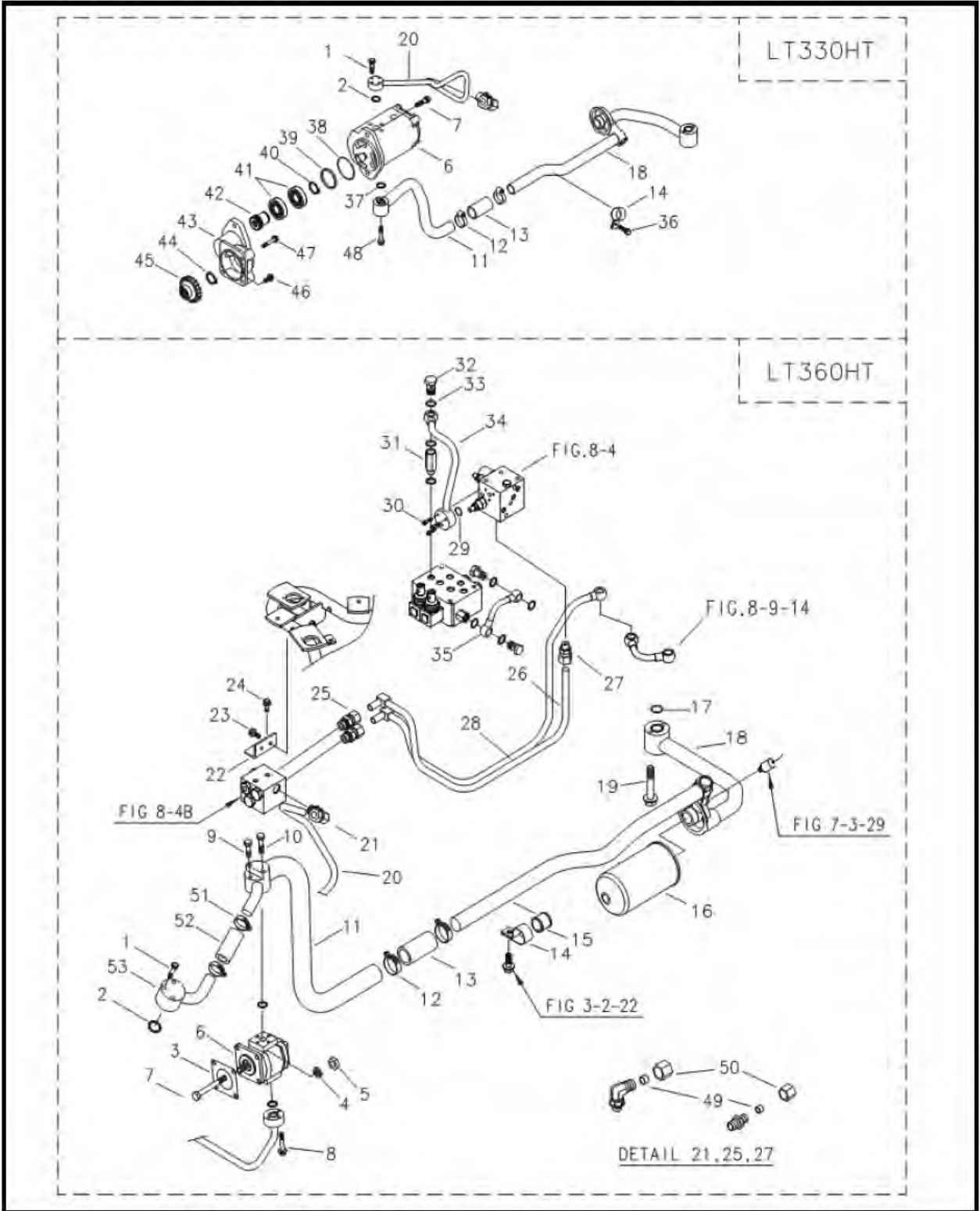
HYDRAULIC PIPE(823)

FIG. 8-5

KEY NO.	PART NO.	PART NAME & DESCRIPTION		MODEL & QTY		APPLI. NO.	REMARK
				330HT	360HT		
1	S153064533	BOLT, HEX	M6×1.0×45L	*	3		
	S153083533	BOLT, HEX	M8×1.25×35L	4	*		
2	S801018010	O-RING	Φ17.8×2.4	1	3		
3	3A1823010	GASKET, PUMP	0.5t	*	1		
4	S361080013	WASHER, SPRING	Φ8.2×Φ15.4×2.0t	*	4		
5	S313080043	NUT, HEX . S 2-TY	M8×1.25	*	2		
6	S153065533	BOLT, HEX	M6×1.0×55L	*	2		
7	A1823342	PIPE, FRT/SUCTION	Φ35	*	1		
	A1823344	PIPE, FRT/SUCTION	Φ35	1	*		
8	A1970325	BOLT, HEX.	M8×1.25×150L	*	2		
9	S107103033	BOLT, HEX.	M10×1.25×30L	2	*		
	A1823279	PUMP, HYD . LIFT	12cc/rev	*	1		
10	A1823351	PUMP, HYD . LIFT	7.2/12 cc/rev	1	*		
	A1823347	PIPE, F/PRESSURE	Φ15	*	1		
	A1823348	PIPE, F/PRESSURE	Φ15	1	*		
11	S153063533	BOLT, HEX	M6×1.0×35L	3	3		
	S153085533	BOLT, HEX	M8×1.25×55L	2	*		
12	A1823076	STRAIGHT UNION	BU-15	2	2		
13	A1970201G	CLAMP, HOSE	27-50	2	2		
14	A5000401	HOSE, SUCTION		1	1		
15	A1823315	FILTER, HYD		1	1		
16	A1823349	PIPE, MID/PRESSURE	Φ15	1	1		
17	A1823189	JOINT	BOM15-03G	1	1		
18	S804030010	O-RING	Φ29.5×2.0	1	1		
19	A1823343	PIPE, R/SUCTION	Φ35	*	1		
20	A1823345	PIPE, R/SUCTION	Φ35	1	*		
	S154107533	BOLT, HEX	M10×1.25×75L	2	2		
21	A1823033	SLEEVE	Φ15	5	5		
22	A1823034	NUT, HEX		5	5		
23	A1630201	BOLT, UNION	PF3/8	3	3		
24	A1823245	SEAL, BONDED	Φ16.8×Φ24×1.5t	6	6		
25	A1823393	PIPE, AUX. PRESSURE	Φ12	1	1		
26	S801016010	O-RING	Φ15.8×2.4	1	1		
27	A1823182	PIPE, R/PRESSURE	Φ12	1	1		
28	S159082533	BOLT, HEX	M8×1.25×25L	3	2		
29	A1823121	CLAMP, PIPE		2	2		
30	3A1823029	CUSHION , CLAMP		2	2		
31	A1823256	PIPE, MID/CONNECTION	Φ15	1	1		
32	A1823313	CUSHION , CLAMP		1	1		
33	A1823350	CLAMP		*	1		

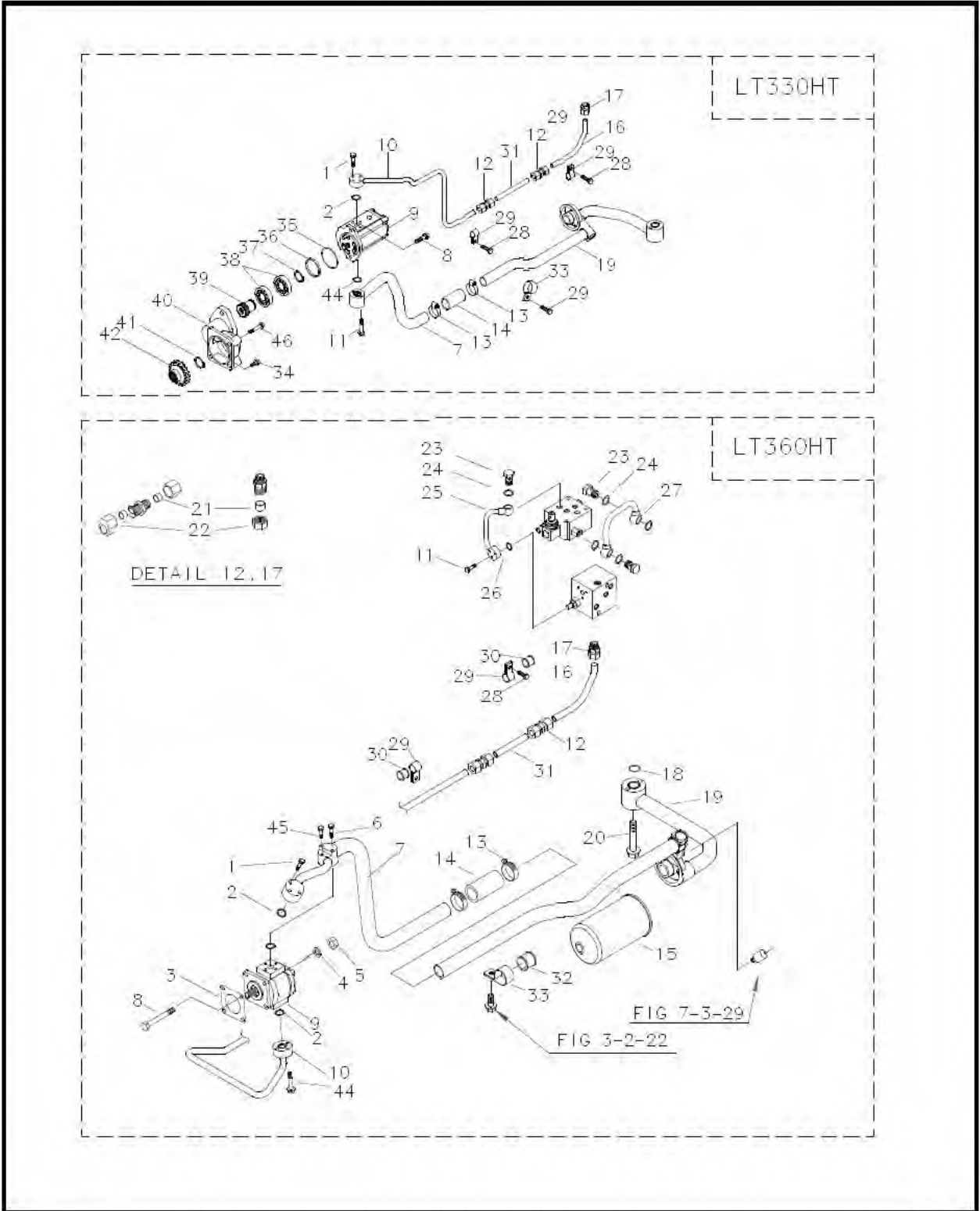
HYDRAULIC PIPE(823)

FIG. 8-5B



HYDRAULIC PIPE(823)

FIG. 8-5



HYDRAULIC PIPE(823)

FIG. 8-5B

AG, VA

KEY NO.	PART NO.	PART NAME & DESCRIPTION		MODEL & QTY		APPLI. NO.	REMARK
				330HT	360HT		
35	A1823182	PIPE, R/PRESSURE	Φ12	1	1		
36	S159082533	BOLT, HEX	M8×1.25×25L	1	*		
37	S804024010	O-RING	Φ23.5×2.0	1	*		
38	S804080010	O-RING	Φ79.5×2.0	1	*		
39	A1823335	SPACE, HOLDER	Φ60.5×5.5t	1	*		
40	S810030001	RING, SNAP	Φ30	1	*		
41	A0860060	BEARING, BALL	#6006	2	*		
42	A1823334	GEAR, PUMP DRVN		1	*		
43	A1823336	HOLDER, GEAR PUMP		1	*		
44	S810025001	RING, SNAP	Φ25	1	*		
45	A1823333	GEAR, PUMP DRN		1	*		
46	S155082533	BOLT, HEX	M8×1.25×25L	1	*		
47	S153084533	BOLT, HEX	M8×1.25×45L	2	*		
48	S153085533	BOLT, HEX	M8×1.25×55L	2	*		
49	A1823033	SLEEVE	Φ15	5	5		
50	A1823034	NUT, HEX		5	5		
51	A1970201D	CLAMP, HOSE		*	2		
52	A1823331	HOSE, F/SUCTION PIPE		*	1		
53	A1823457	ADAPTOR, F/SUCTION(S4L)		*	1		

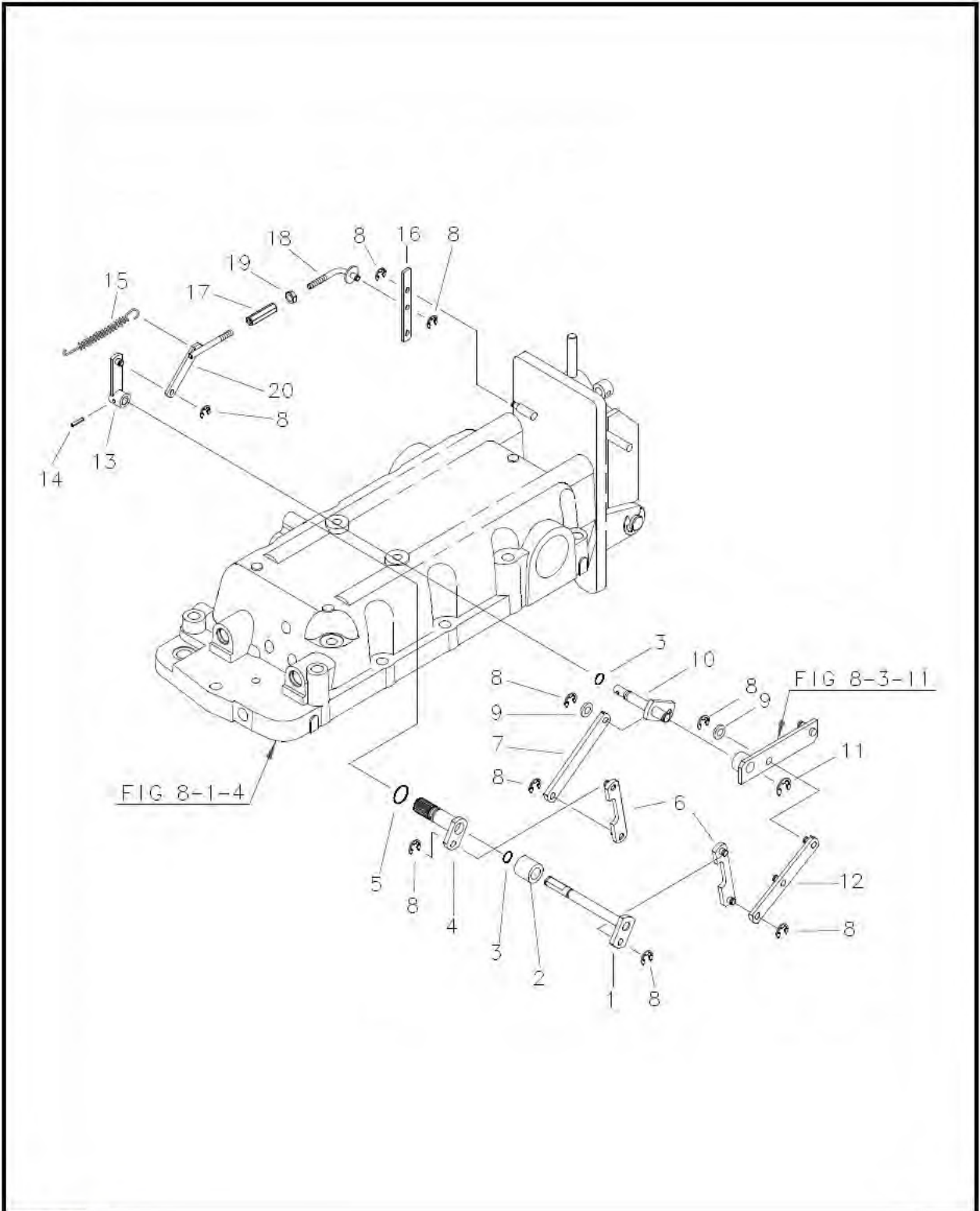
HYDRAULIC PIPE(823)

FIG. 8-5

KEY NO.	PART NO.	PART NAME & DESCRIPTION		MODEL & Q'TY		APPLI. NO.	REMARK
				330HT	360HT		
33	A1823307	CLAMP		1	*		
34	S155082533	BOLT, HEX	M8x1.25x25L	1	*		
35	S804080010	O-RING	Φ79.5x2.0	1	*		
36	A1823335	SPACE, HOLDER	Φ60.5x5.5t	1	*		
37	S810030001	RING, SNAP	Φ30	1	*		
38	A0860060	BEARING, BALL	#6006	2	*		
39	A1823334	GEAR, PUMP DRVN		1	*		
40	A1823336	HOLDER, GEAR PUMP		1	*		
41	S810025001	RING, SNAP	Φ25	1	*		
42	A1823333	GEAR, PUMP DRN		1	*		
43	S804024010	O-RING	Φ23.5x2.0	1	*		
44	S153063033	BOLT, HEX	M6x1.0x40L	*	3		
45	S153064033	BOLT, HEX	M6x1.0x30L	*	1		
46	S155084533	BOLT, HEX	M8x1.25x45L	2	*		

HYDRAULIC LINKAGE(824)

FIG. 8-6



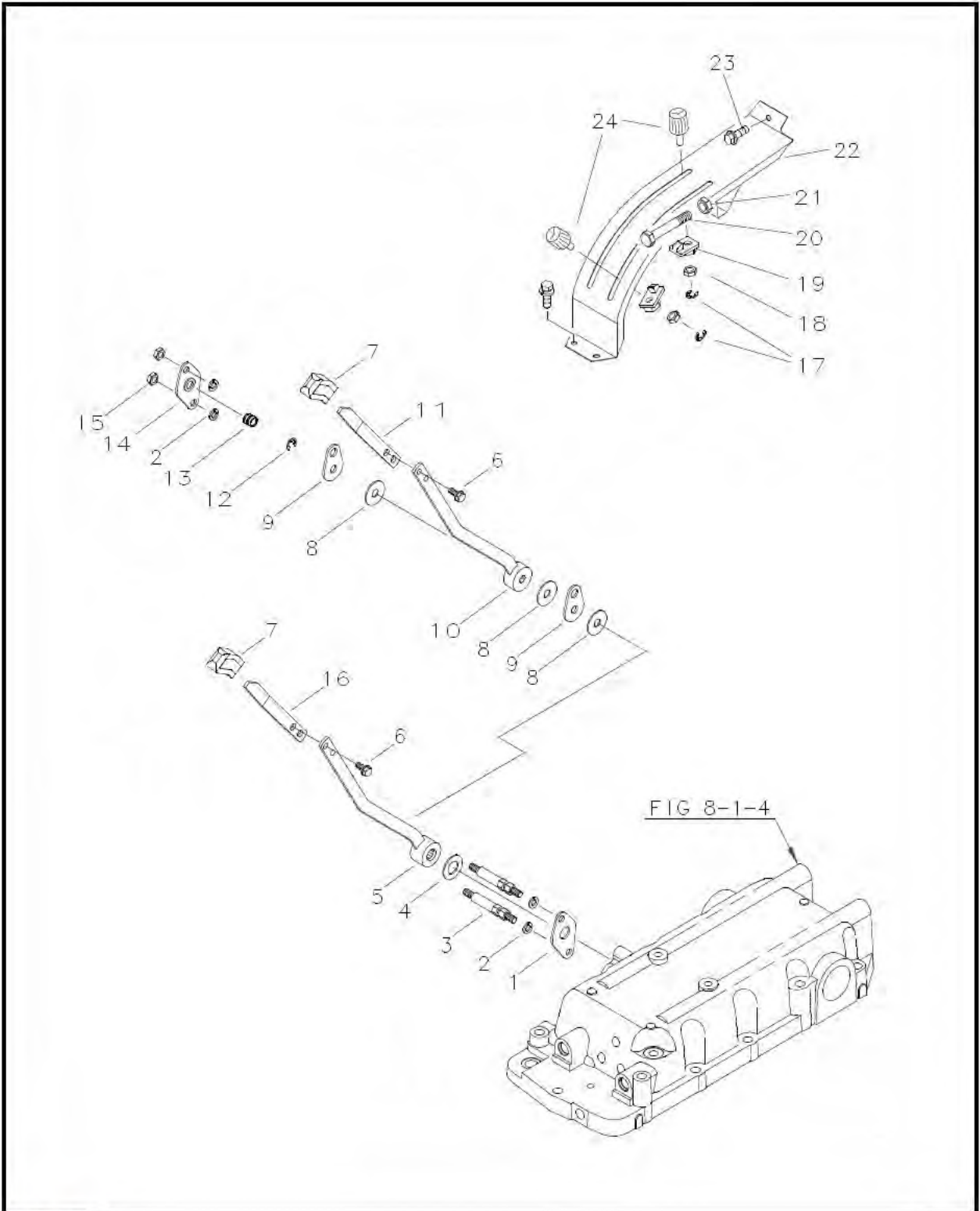
HYDRAULIC LINKAGE(824)

FIG. 8-6

KEY NO.	PART NO.	PART NAME & DESCRIPTION		MODEL & QTY		APPLI. NO.	REMARK
				330HT	360HT		
1	A1824020	SHAFT, POSITION		1	1		
2	A1824029	SPACER	Φ12×Φ20×23.5	1	1		
3	S801009010	O-RING	Φ8.8×19	2	2		
4	A1824021	SHAFT, DRAFT		1	1		
5	S801016010	O-RING	D15.8×2.4	1	1		
6	3A1824003	LINK (B)		2	2		
7	A1824097	LINK, DRAFT		1	1		
8	S814006003	RING, SNAP	Φ6	9	9		
9	S364080013	WASHER, FLAT	Φ8.4×Φ17×1.6t	2	2		
10	A1824022	SHAFT		1	1		
11	S814009003	RING, SNAP	Φ9	1	1		
12	A1824026	LINK, POSITION		1	1		
13	A1824019	ARM		1	1		
14	S446042012	PIN, SPRING	Φ4×20	1	1		
15	A1824035	SPRING		1	1		
16	3A1824011	LINK		1	1		
17	3A1824014	JOINT		1	1		
18	3A1824010	ROD (A)		1	1		
19	S313080043	NUT, HEX		1	1		
20	3A1824007	ROD (B)		1	1		

HYDRAULIC LEVER GROUP(825)

FIG. 8-7



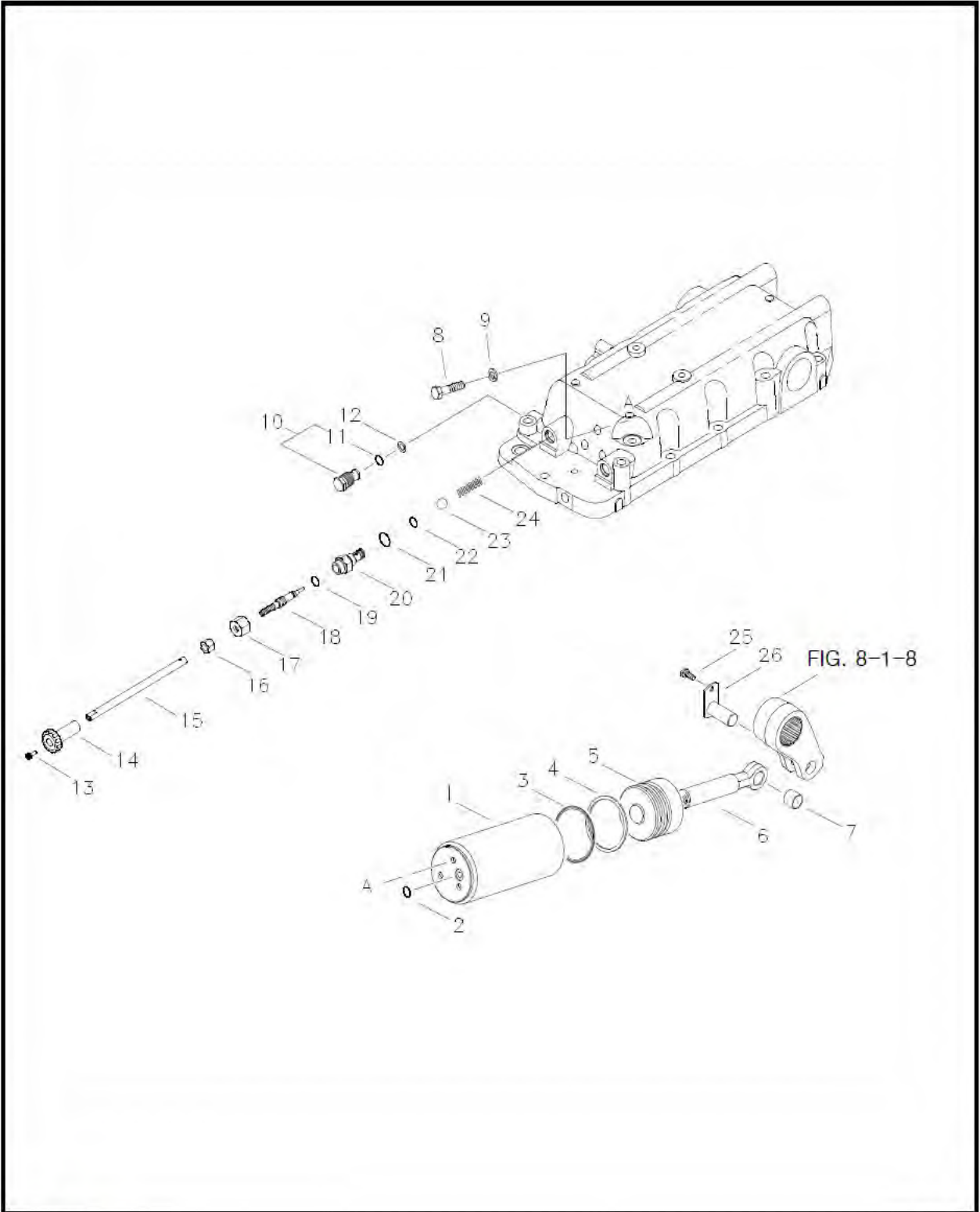
HYDRAULIC LEVER GROUP(825)

FIG. 8-7

KEY NO.	PART NO.	PART NAME & DESCRIPTION		MODEL & QTY		APPLI. NO.	REMARK
				330HT	360HT		
1	A1825033	COVER		1	1		
2	S361100013	WASHER, SPRING	Φ10.2×Φ18.4×2.5t	4	4		
3	A1825085	SUPPORT, LEVER		2	2		
4	A1825023	PLATE, FRICTION(L)	Φ21×2t	1	1		
5	A1825059	LEVER, DRAFT CONTROL		1	1		
6	S155082033	BOLT, HEX	M8×1.25×20L	4	4		
7	A1970241	GRIP, HANDLE		2	2		
8	A1825024	PLATE, FRICTION(S)	Φ13×2t	3	3		
9	A1825053	PLATE, LOCKING		2	2		
10	A1825058	LEVER, POSITION		1	1		
11	A1825061	EXTENTION, LEVER		1	1		
12	S810012001	RING, SNAP	Φ12	1	1		
13	A1825086	SPRING		1	1		
14	A1825034	COVER		1	1		
15	S302100043	NUT, HEX	M10×1.25	2	2		
16	A1825060	EXTENTION, LEVER		1	1		
17	S814006003	RING, SNAP		4	4		
18	S305080043	NUT, HEX		4	4		
19	A1825057	STOP, PLATE		4	4		
20	S163085043	BOLT, HEX		2	2		
21	S313080013	NUT, HEX		2	2		
22	A1825159	GUIDE, HYD . LEVER		1	1		
23	S159081633	BOLT, HEX		3	3		
24	A1825056	KNOB		4	4		

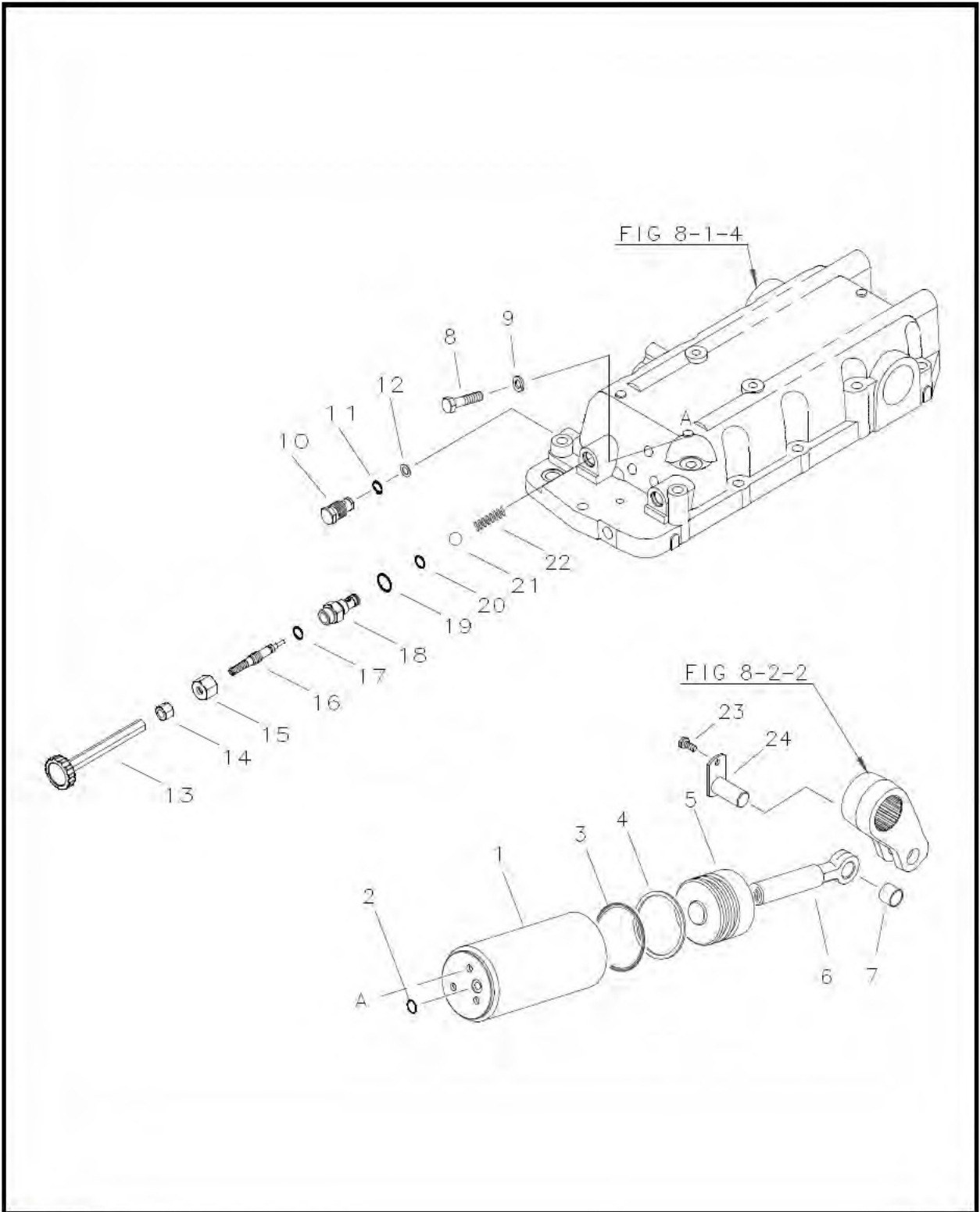
HYDRAULIC CYLINDER(826)

FIG. 8-8



HYDRAULIC CYLINDER(826)

FIG. 8-8



HYDRAULIC CYLINDER(826)

FIG. 8-8

KEY NO.	PART NO.	PART NAME & DESCRIPTION		MODEL & QTY		APPLI. NO.	REMARK
				330HT	360HT		
1	A1826032	CYLINDER, HYD.	Φ80	1	1		
2	S801014020	O-RING	Φ13.8×2.4	1	1		
3	A1826085	O-RING	Φ69.6×5.7	2	2		
4	A1826048	RING, BACKUP	Φ80×Φ70×3t	2	2		
5	3A1826003	PISTON, HYD.	Φ80	1	1		
6	A1826033	ROD, PISTON		1	1		
7	3A1970002	BUSHING	Φ22×Φ25×20	1	1		
8	S103125043	BOLT, HEX	M12×1.25×50	3	3		
9	S361120013	WASHER, SPRING	Φ12.2×3t	3	3		
10	A1826037	VALVE, SAFETY		1	1		
11	S801018010	O-RING	D17.8×2.4	1	1		
12	A1826036	SEAL	Φ10.5×Φ18×1t	1	1		
13	S157051633	BOLT, HEX.	M5X0.8X16	1	1		
14	A1970353	KNOB		1	1		
15	A1826130	ROD		1	1		
16	S345080013	NUT, FLANGE B-TY	M8×1.25	1	1		
17~22	A1826078	FLOW, REGULATOR		1	1		
17	A1826081	NUT, HEX	M18×1.25	1	1		
18	A1826080	SCREW, ADJUST		1	1		
19	S801006020	O-RING	Φ5.8×1.9	1	1		
20	A1826079	BODY, REGULATOR		1	1		
21	S801014020	O-RING	D13.8×2.4	1	1		
22	S801010020	O-RING	D9.8×1.9	1	1		
23	A20063480	BALL, STEEL	3/8"	1	1		
24	A1826058	SPRING	Φ8.6×1.4	1	1		
25	S153081633	BOLT, HEX	M8×1.25×16	1	1		
26	3A1826001	PIN	Φ22	1	1		

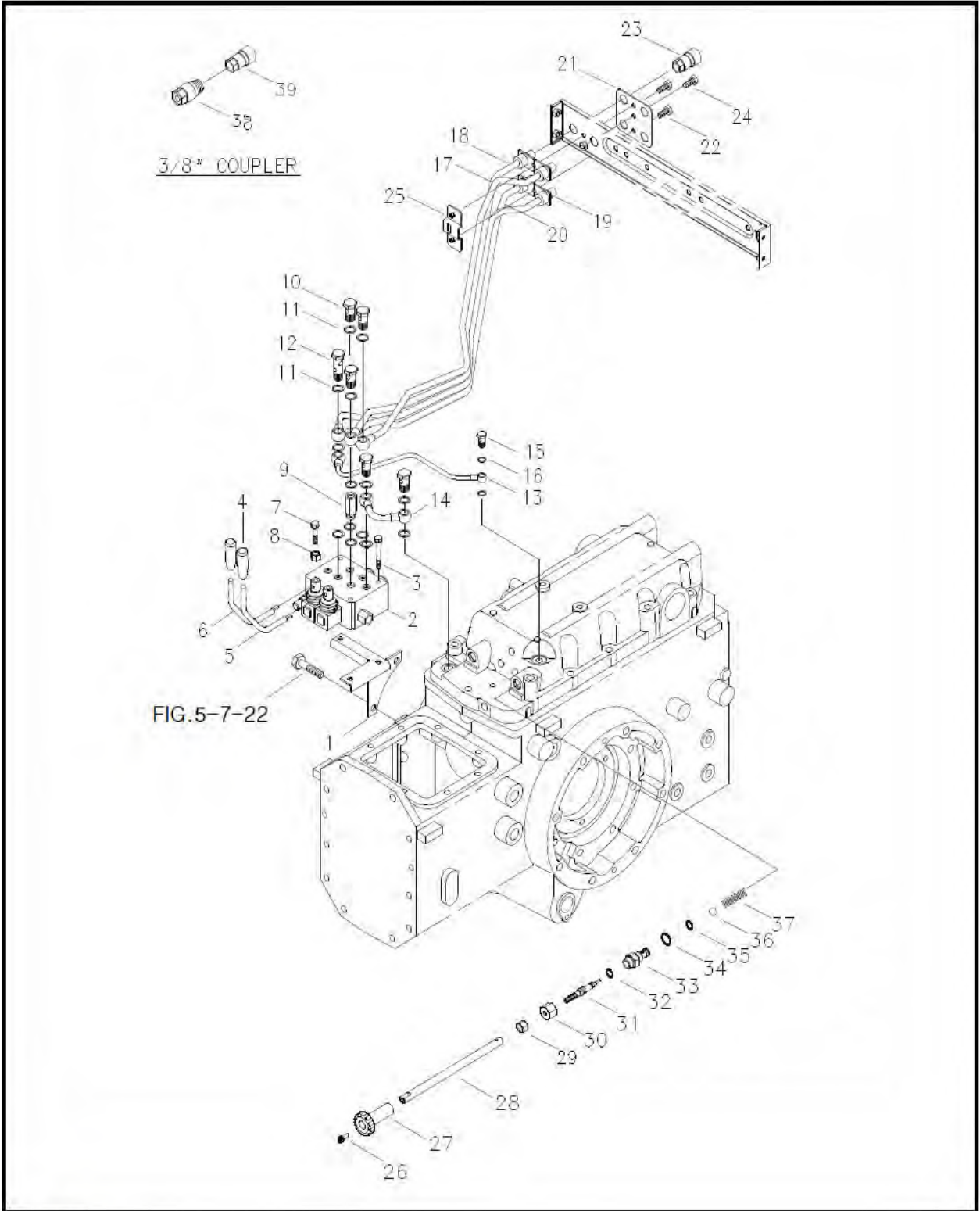
HYDRAULIC CYLINDER(826)

FIG. 8-8

KEY NO.	PART NO.	PART NAME & DESCRIPTION		MODEL & QTY		APPLI. NO.	REMARK
				330HT	360HT		
1	A1826032	CYLINDER, HYD	Φ80	1	1		
2	S801014020	O-RING	Φ13.8×2.4	1	1		
3	A1826085	O-RING	Φ69.6×5.7	2	2		
4	A1826048	RING, BACKUP	Φ70×Φ80×3.0t	2	2		
5	3A1826003	PISTON, HYD	Φ80	1	1		
6	A1826033	ROD, POSITION		1	1		
7	3A1970002	BUSHING	Φ22×Φ25×20L	1	1		
8	S103125043	BOLT, HEX	M12×1.25×50L	3	3		
9	S361120013	WASHER, SPRING	Φ12.2×Φ21.5×3.0t	3	3		
10	A1826037	VALVE, SAFETY		1	1		
11	S801018010	O-RING	Φ17.8×2.4	1	1		
12	A1826036	SEAL	Φ10.5×Φ18×1.0t	1	1		
13	A1970259	KNOB		1	1		
14	S345080013	NUT, FLANGE B-TY	M8×1.25	1	1		
15-20	A1826078	FLOW, REGULATOR		1	1		
15	A1826081	NUT, HEX	M18×1.25	1	1		
16	A1826080	SCREEW, ADJUST		1	1		
17	S801006020	O-RING	Φ5.8×1.9	1	1		
18	A1826079	BODY, REGULATOR		1	1		
19	S801014020	O-RING	Φ13.8×2.4	1	1		
20	S801010020	O-RING	Φ9.8×1.9	1	1		
21	A20063480	BALL, STEEL	3/8"	1	1		
22	A1826058	SPRING	Φ8.6×1.4	1	1		
23	S153101633	BOLT, HEX	M8×1.25×16L	1	1		
24	3A1826001	PIN	Φ22	1	1		

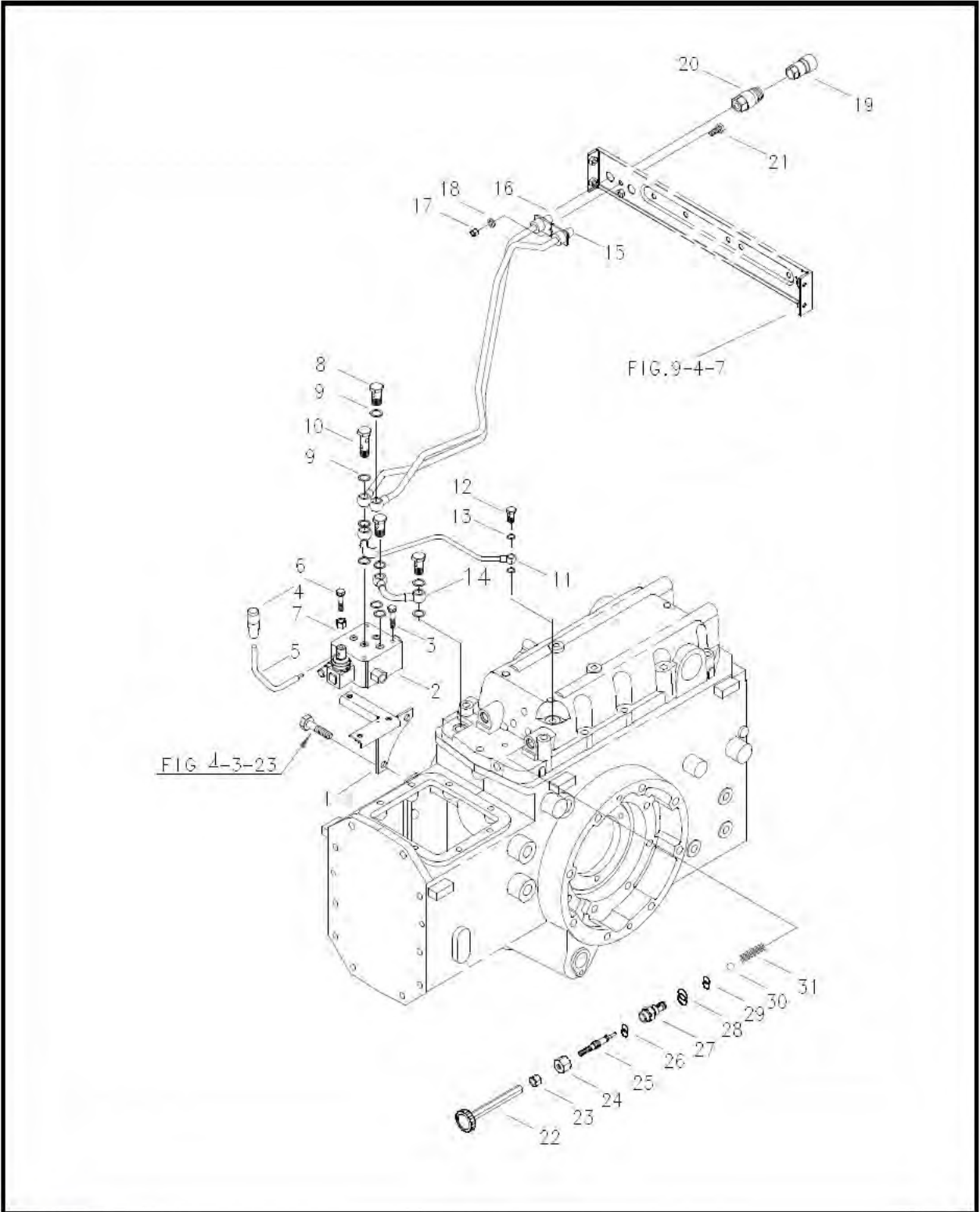
SUB VALVE(827)

FIG. 8-9



SUB VALVE(827)

FIG. 8-9



SUB VALVE(827)

FIG. 8-9

AG, VA

KEY NO.	PART NO.	PART NAME & DESCRIPTION		MODEL & QTY		APPLI. NO.	REMARK
				330HT	360HT		
1	A1827278	BRACKET, VALVE		1	1		
2	A1827260	VALVE, REMOTE CON.	SD5-2	1	1		
3	S153086033	BOLT, HEX	M8×1.25×60	3	3		
4	A1970242	GRIP, VALVE LEVER		2	2		
5	A1827145	LEVER(2), VALVE		1	1		
6	A1827144	LEVER(1), VALVE		1	1		
7	S101102543	BOLT, HEX . SMALL	M10×1.5×25	2	2		
8	S305100013	NUT, HEX	M10×1.5	2	2		
9	A1827152	CONNECTOR	PF3/8	1	1		
10	A1630201	BOLT, UNION	PF3/8	4	4		
11	A1823245	SEAL, BONDED	Φ24×Φ16.8×1t	15	15		
12	A1827151	BOLT, UNION	PF3/8	2	2		
13	A1827154	PIPE, AUX . S/D		1	1		
14	A1827150	PIPE, AUX . DRAIN		1	1		
15	A1823157	BOLT, UNION	M12×1.75	1	1		
16	A1823158	WASHER, COPPER	Φ18×12.2×1t	2	2		
17	A1827279	PIPE, 1ST UP	PT 1/2"	1	1		
18	A1827281	PIPE, 2ND UP	PT 1/2"	1	1		
19	A1827280	PIPE, 1ST DN	PT 1/2"	1	1		
20	A1827282	PIPE, 2ND DN	PT 1/2"	1	1		
21	A1827167	BRACKET, PIPE		1	1		
22	S159082033	BOLT , HEX W/WASHER	M8×1.25×20	2	2		
23	A1827177	QUICK COUPLER	PT1/2"	4	4		
24	S159081633	BOLT, HEX W/WASHER	M8×1.25×16	1	1		
25	A1827196	BRACKET PIPE		1	1		
26	S157051633	BOLT, HEX.	M6X1.0X16	1	1		
27	A1970353	KNOB		1	1		
28	A1826130	ROD		1	1		
29	S345080013	NUT . FLANGE B - TY	M8×1.25	1	1		
30-35	A1826078	FLOW, REGULATOR		1	1		
30	A1826081	NUT, HEX	M18×1.5	1	1		
31	A1826080	SCREW, ADJUST		1	1		
32	S801006020	O-RING	D5.8×1.9	1	1		
33	A1826079	BODY, REGULATOR		1	1		
34	S801014020	O-RING	D13.8×2.4	1	1		
35	S801010020	O-RING	D9.8×1.9	1	1		
36	A20063480	BALL, STEEL	3/8" TAB16306	1	1		
37	A1826058	SPRING	Φ8.6×Φ1.4	1	1		
38	A1827286	ADAPTER	PT3/8"	4	4		
39	A1827168	QUICK COUPLER	PT3/8"	4	4		

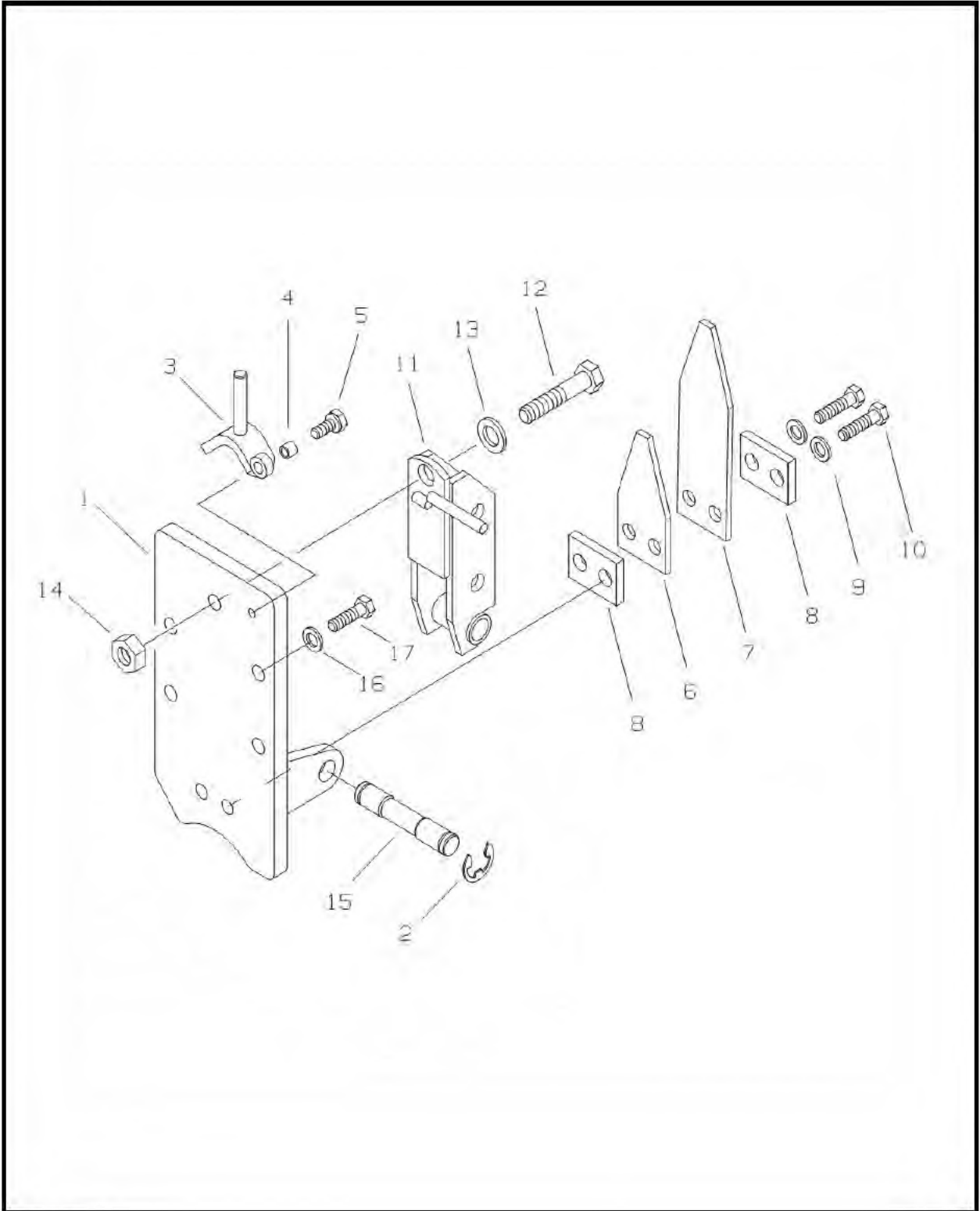
SUB VALVE(827)

FIG. 8-9

KEY NO.	PART NO.	PART NAME & DESCRIPTION		MODEL & QTY		APPLI. NO.	REMARK
				330HT	360HT		
1	A1827219	BRACKET, VALVE		1	1		
2	A1827190	VALVE, REMOTE CON.	SD5-1	1	1		
3	S153086033	BOLT, HEX	M8×1.25×60	3	3		
4	A1970242	GRIP, VALVE LEVER		1	1		
5	A1827144	LEVER(1), VALVE		1	1		
6	S101102543	BOLT, HEX . SMALL	M10×1.5×25L	1	1		
7	S305100013	NUT, HEX	M10×1.5	1	1		
8	A1630201	BOLT, UNION	PF3/8"	3	3		
9	A1823245	SEAL, BONDED	Φ16.8×Φ24×1t	9	9		
10	A1827151	BOLT, UNION	PF3/8"	1	1		
11	A1827195	PIPE, AUX . S/D		1	1		
12	A1823157	BOLT, UNION	PF3/8	3	5		
13	A1823158	WASHER, COPPER	D24×D16.8×1t	2	2		
14	A1827184	REDUCER		1	1		
15	A1827163	PIPE, R/CONTROL 1ST(U)		1	1		
16	A1827194	PIPE, R/CONTROL 1ST(D)	Φ18XΦ12.2X1T	1	1		
17	S301080013	NUT, HEX 1TY	M8×1.25	1	1		
18	s364080013	WASHER,PLN	D17XD8.4X1.0T	2	2		
19	A1827177	QUICK COUPLER	PS1/2	2	2		
20	A1827150	PIPE, AUX.DRAIN	Φ12X1.2T	1	1		
21	S159082033	BOLT , HEX W/WASHER	M8×1.25×20	1	1		
22	A1970259	KNOB		1	1		
23-28	A1826078	FLOW, REGULATOR		1	1		
23	A1826081	NUT, HEX	M18×1.5	1	1		
24	A1826080	SCREEW, ADJUST		1	1		
25	S801006020	O-RING	Φ5.8×1.9	1	1		
26	A1826079	BODY, REGULATOR		1	1		
27	S801014020	O-RING	Φ13.8×2.4	1	1		
28	S801010020	O-RING	Φ9.8×1.9	1	1		
29	A20063480	BALL, STEEL	3/8" TAB16306	1	1		
30	A1826058	SPRING	Φ8.6×Φ1.4	1	1		

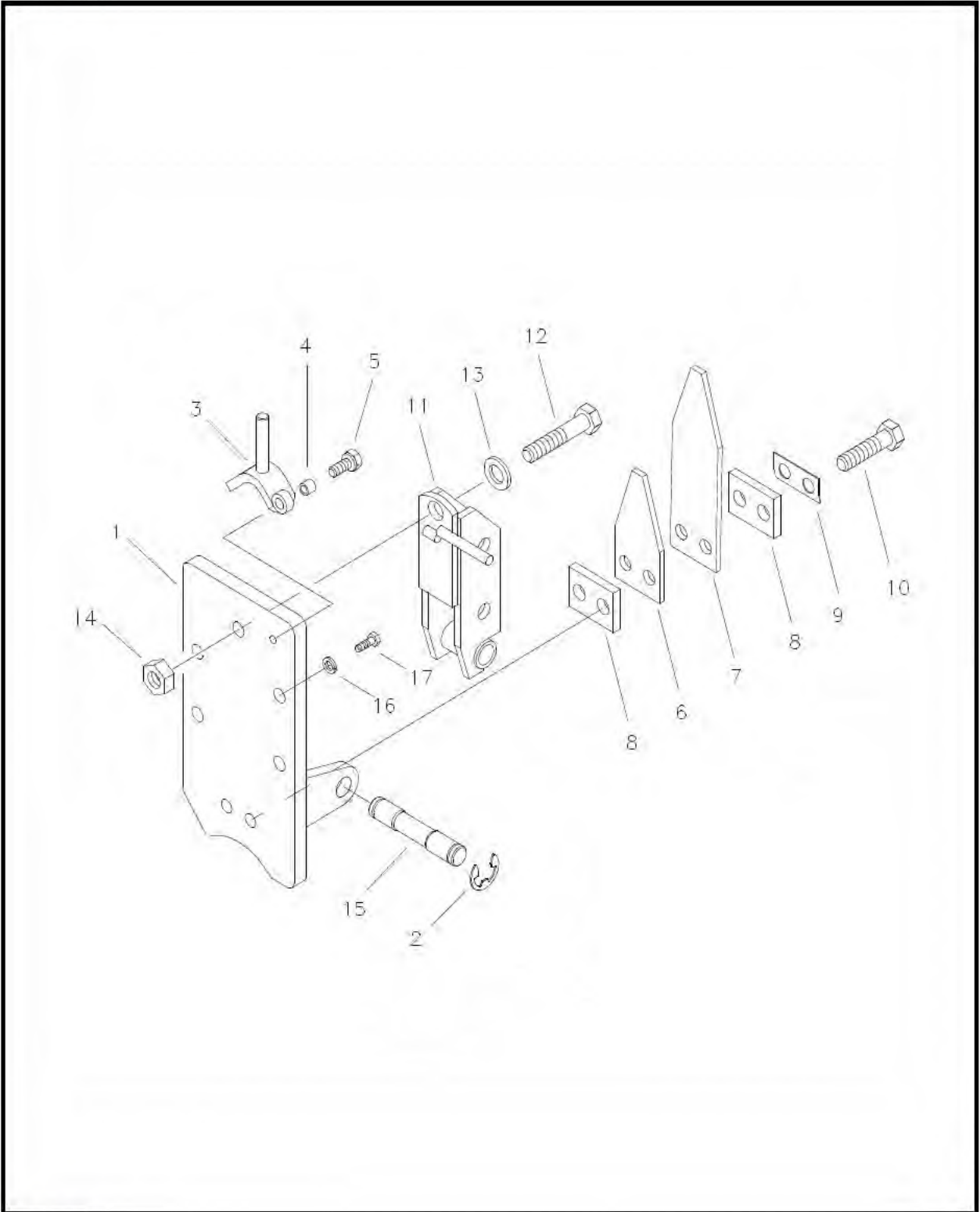
TOP LINK BRACKET (828)

FIG. 8-10



TOP LINK BRACKET (828)

FIG. 8-10



TOP LINK BRACKET(828)

FIG. 8-10

KEY NO.	PART NO.	PART NAME & DESCRIPTION		MODEL & QTY		APPLI. NO.	REMARK
				330HT	360HT		
1-15	A1828055	TOP LINK BRACKET ASSY		1	1		
1	A1828034	UPPER LINK BRACKET		1	1		
2	S814015003	RING, SNAP		2	2		
3	3A1828010	STOPPER		1	1		
4	3A1828014	COLLAR		1	1		
5	S155082533	BOLT, HEX	M8×1.0x25	1	1		
6	3A1828021	SPRING, LEAF		1	1		
7	3A1828022	SPRING, LEAF		1	1		
8	A1828057	PLATE		2	2		
9	S361140013	WASHER, SPR.		2	2		
10	S107144543	BOLT, HEX	M14×1.5×45	2	2		
11	A1828030	BRACKET		1	1		
12	S103167043	BOLT, HEX	M16×1.5×70	1	1		
13	S364160053	WASHER	D16	1	1		
14	S314160013	NUT, HEX	M16×1.5	1	1		
15	3A1828025	PIN	D20	1	1		
16	S361140013	WASHER		4	4		
17	S101143543	BOLT, HEX	M14×2.0×35	4	4		

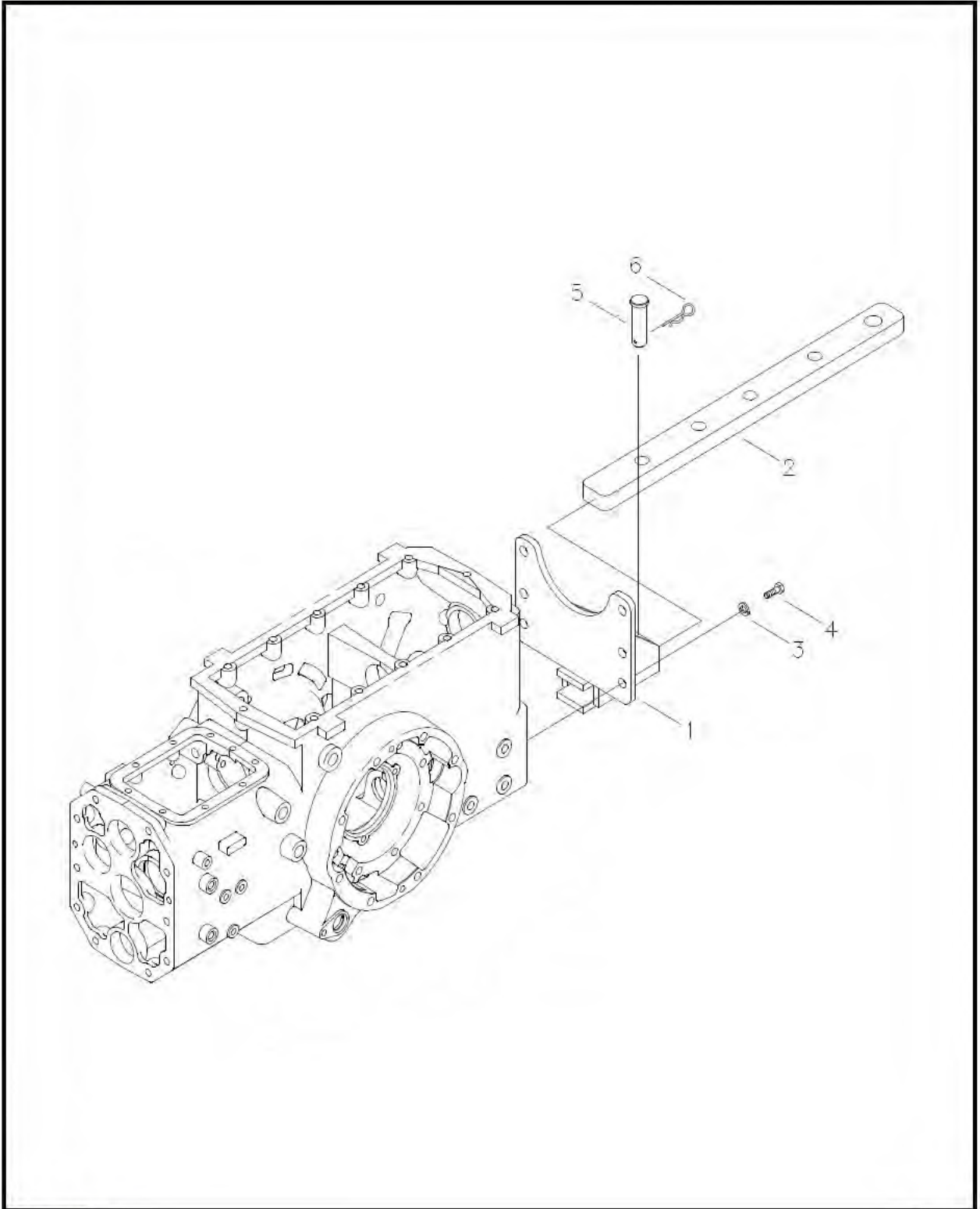
TOP LINK BRACKET(828)

FIG. 8-10

KEY NO.	PART NO.	PART NAME & DESCRIPTION		MODEL & QTY		APPLI. NO.	REMARK
				330HT	360HT		
1-15	A1828033	BRACKET, TOP LINK		1	1		
1	A1828034	BRACKET		1	1		
2	S814015003	RING, SNAP		2	2		
3	3A1828010	STOP		1	1		
4	3A1828014	COLLAR		1	1		
5	S155082533	BOLT, HEX	M8×1.0	1	1		
6	3A1828021	SPRING, LEAF		1	1		
7	3A1828022	SPRING, LEAF		1	1		
8	3A1828023	PLATE		2	2		
9	3A1828024	PLATE, LOCK		1	1		
10	S107144543	BOLT, HEX	M14×1.5×45	2	2		
11	A1828035	BRACKET		1	1		
12	S103167043	BOLT, HEX	M16×1.5×70	1	1		
13	S364160053	WASHER	Φ16	1	1		
14	S314160013	NUT, HEX	M16×1.5	1	1		
15	3A1828025	PIN	Φ20	1	1		
16	S361140013	WASHER, SPRING		4	4		
17	S101143543	BOLT, HEX	M14×2×35	4	4		

DRAWBAR HITCH(891)

FIG. 8-11A



DRAWBAR HIT CH(891)

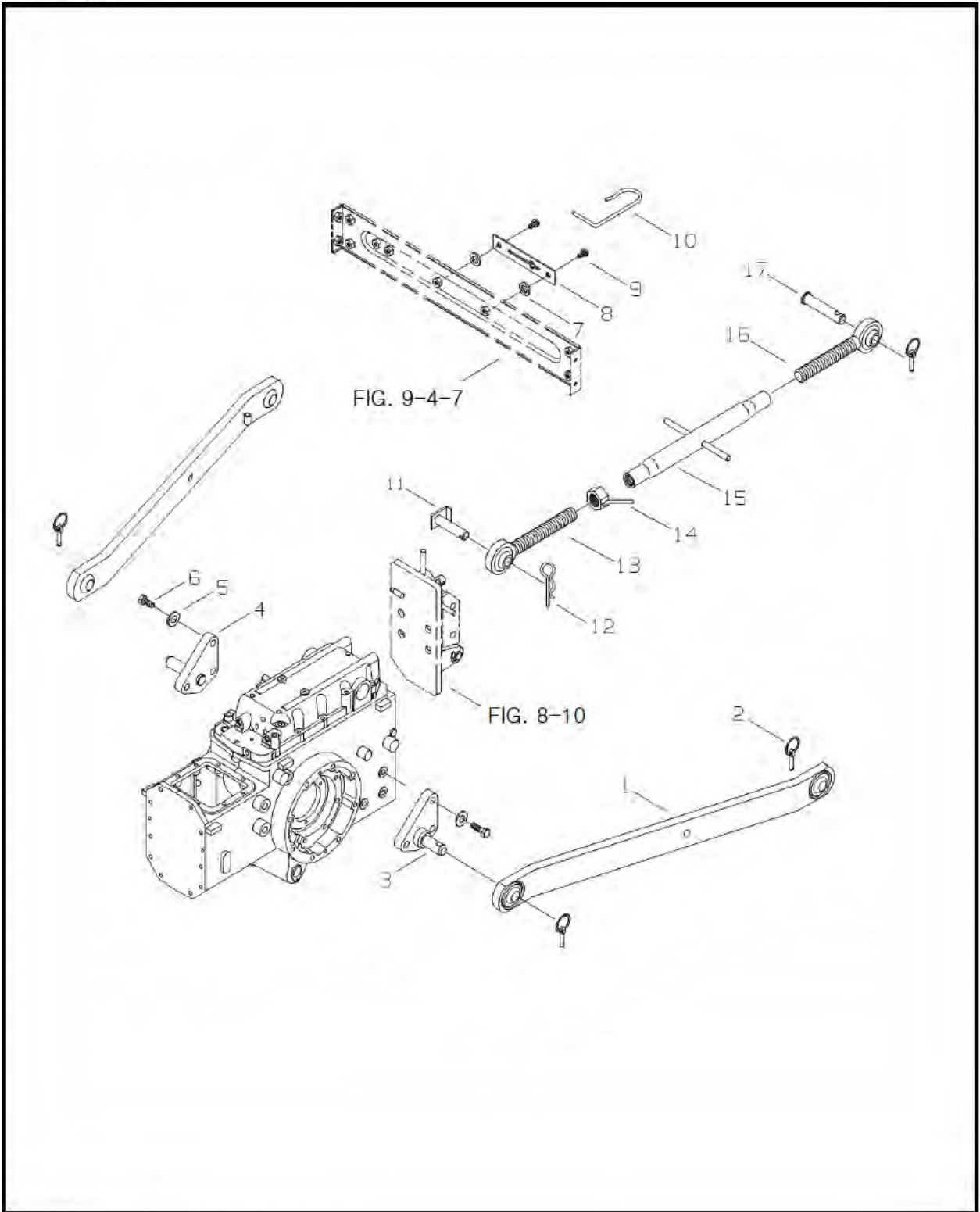
FIG. 8-11A

(TELESCOPIC DRAWBAR)

KEY NO.	PART NO.	PART NAME & DESCRIPTION		MODEL & QTY		APPLI. NO.	REMARK
				330HT	360HT		
1	A1891049	SUPPORT, HITCH		1	1		
2	A1891050	DRAWBAR (ASAE)		1	1		
3	S361140013	WASHER, SPRING	Φ14.2×Φ24.5×3.5t	6	6		
4	S101144043	BOLT, HEX	M14×2×40L	6	6		
5	A1891033	PIN, CLEVIS	Φ25×77	1	1		
6	3A1970091	PIN, SNAP	Φ28	1	1		

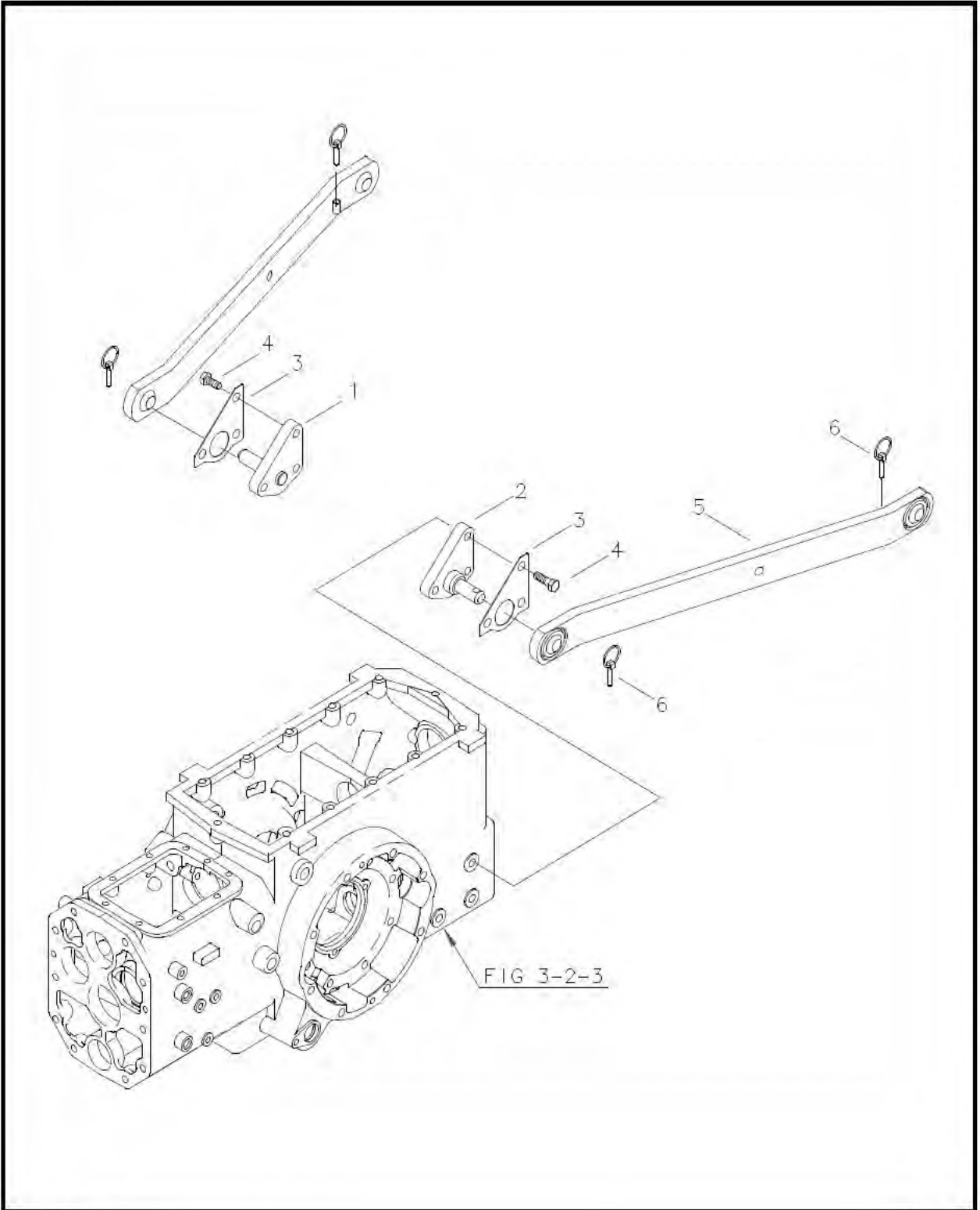
3- POINT LINKAGE- TOP LINK(896)

FIG. 8-13



3- POINT LINKAGE- TOP LINK(896)

FIG. 8-13



3- POINT LINKAGE- TOP LINK(896)

FIG. 8-13

KEY NO.	PART NO.	PART NAME & DESCRIPTION		MODEL & QTY		APPLI. NO.	REMARK
				330HT	360HT		
1	A1896320	LOW LINK ASSY		2	2		
2	3A1896081	PIN, LINK		5	5		
3	A1896187	PIN, LOW LINK(LH)	D22	1	1		
4	A1896188	PIN, LOW LINK(RH)	D22	1	1		
5	S361140013	WASHER, SPR	D24.5xD14.2x3.5	6	6		
6	A1896473	BOLT, HEX	M14×2×40	6	6		
7	A1830277	SPACER, GRILL		2	2		
8	A1896519	BRACKET, HOOK		1	1		
9	S159081633	BOLT, HEX	M8×1.25×16	2	2		
10	A1896336	HOOK, UPPER LINK		1	1		
11	A1896189	PIN, UPPER LINK(F)	D19	1	1		
12	3A1970091	PIN, SNAP	D19	1	1		
13~16	3A1896002	UPPER LINK ASSY	470-750	1	1		
13	3A1896006	END, UPPER LINK(F)	M24×3	1	1		
14	3A1970092	NUT, LOCK	M24×3	1	1		
15	2A1896003	TURN BUCKLE	M24×3	1	1		
16	3A1896007	END, UPPER LINK(R)	M24×3(CAT1)	1	1		
17	3A1896013	PIN, UPPER LINK(R)	D19	1	1		

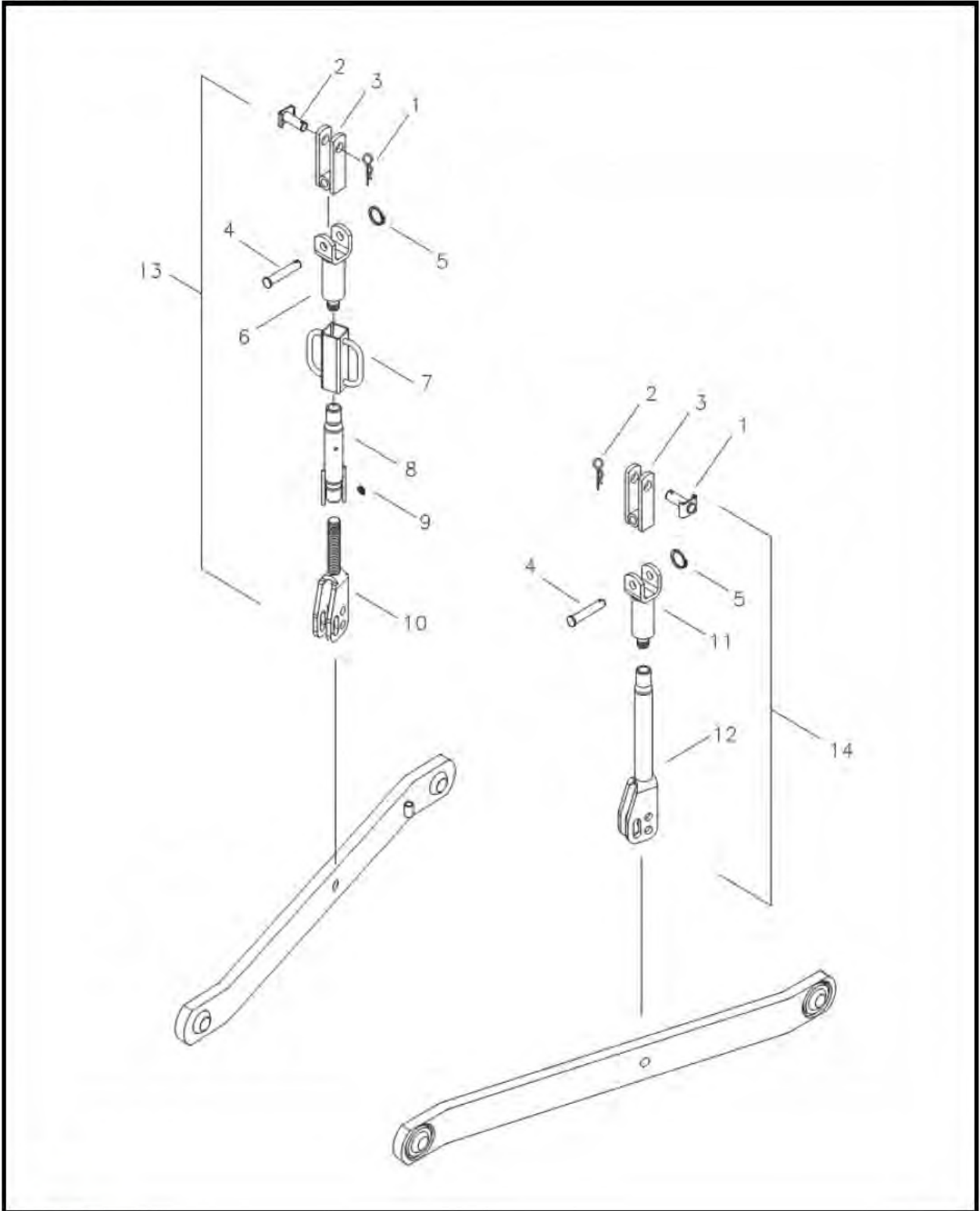
3- POINT LINKAGE- TOP LINK(896)

FIG. 8-13

KEY NO.	PART NO.	PART NAME & DESCRIPTION		MODEL & Q'TY		APPLI. NO.	REMARK
				330HT	360HT		
1	A1896188	PIN, LOW LINK(RH)	Φ22	1	1		
2	A1896187	PIN, LOW LINK(LH)	Φ22	1	1		
3	A1891020	PLATE, LOCK		2	2		
4	A1896473	BOLT, HEX	M14×2×40L	6	6		
5	A1896320	LOW LINK ASSY		2	2		
6	3A1896081	PIN, CLEVIS		4	4		

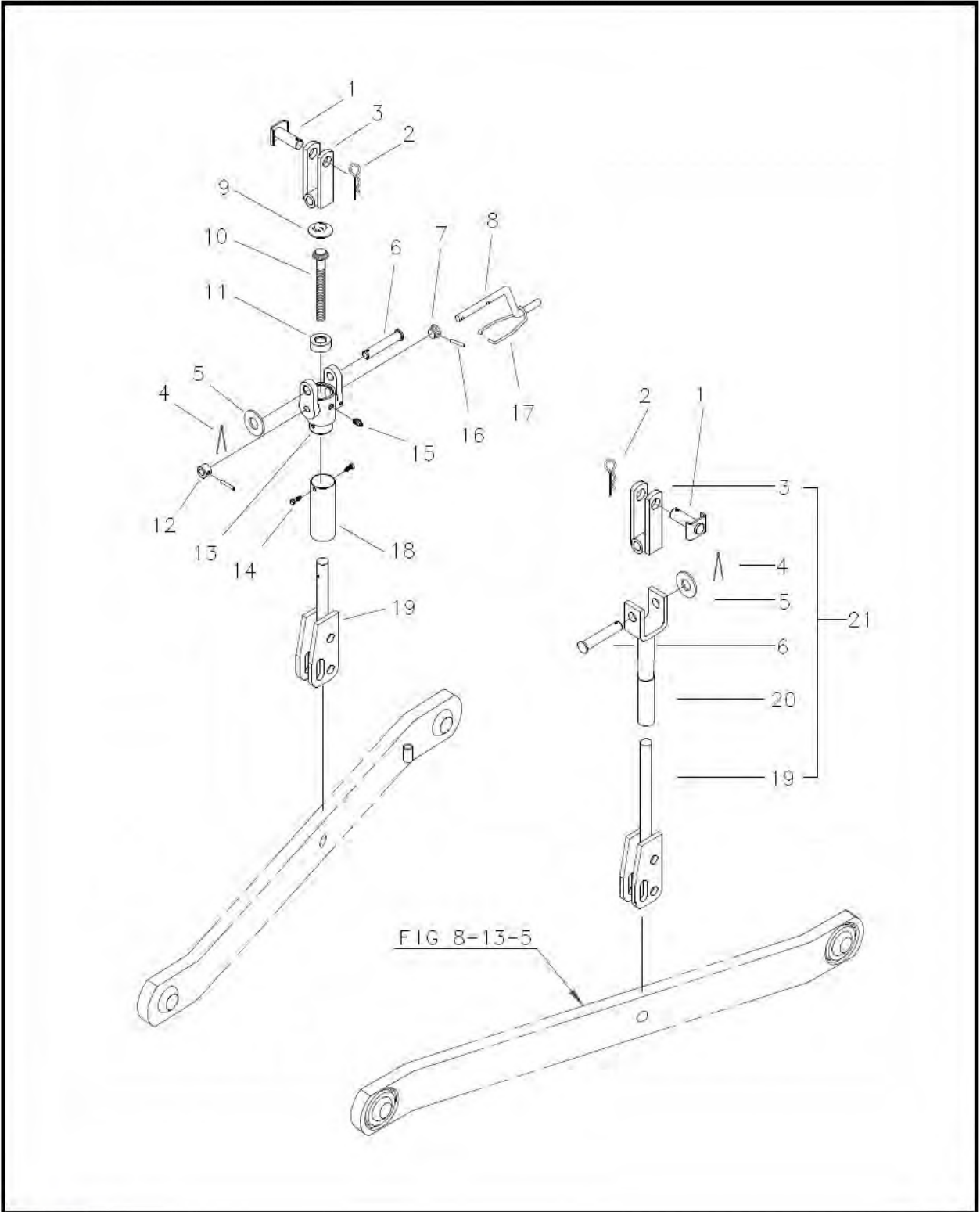
3- POINT LINKAGE- LIFT ROD(896)

FIG. 8-14



3- POINT LINKAGE- LIFT ROD(896)

FIG. 8-14



3- POINT LINKAGE- LIFT ROD(896)

FIG. 8-14

KEY NO.	PART NO.	PART NAME & DESCRIPTION		MODEL & Q'TY		APPLI. NO.	REMARK
				330HT	360HT		
1	A1896530	PIN, LIFT ROD	Φ19	2	2		
2	3A1970091	PIN, SNAP		2	2		
3	A1896087	JOINT, LIFT ROD		2	2		
4	A1896593	PIN, LIFT ROD	Φ16	2	2		
5	S810016003	RING, SNAP		2	2		
6	A1896524	ROD, UPPER LIFT		1	1		
7	A1896527	HANDLE		1	1		
8	A1896526	SLEEVE, LIFT ROD		1	1		
9	A0730009	NIPPLE, GREASE	PT1/8	1	1		
10	A1896525	ROD, LOWER LIFT		1	1		
11	A1896524	ROD, UPPER LIFT		1	1		
12	A1896529	ROD, LOWER LIFT		1	1		
13	A1896523	LIFT ROD ASSY(RH)		1	1		
14	A1896528	LIFT ROD ASSY(LH)		1	1		

3- POINT LINKAGE- LIFT ROD(896)

FIG. 8-14

KEY NO.	PART NO.	PART NAME & DESCRIPTION		MODEL & QTY		APPLI. NO.	REMARK
				330HT	360HT		
1	3A1896058	PIN, LIFT ROD	Φ19	2	2		
2	3A1970091	PIN, HAIR		2	2		
3-19	A1896203	LIFT ROD ASSY(RH)	430-540	1	1		
3	3A1896035	JOINT, LIFT ROD		2	2		
4	S441403613	PIN, COTTER	Φ3.7×36	2	2		
5	S363160013	WASHER, PLAIN	Φ17×3t	2	2		
6	3A1896038	PIN, CLEVIS	Φ16	2	2		
7	3A1896049	GEAR, PINION		1	1		
8	3A1896048	HANDLE		1	1		
9	3A1970095	PLUG, EXPANSION		1	1		
10	A1896206	GEAR, LIFT ROD		1	1		
11	A1896208	BEARING, THRUST	51204	1	1		
12	3A1896050	COLLAR		1	1		
13	A1896207	CASE, GEAR		1	1		
14	S151061233	BOLT, HEX	M6×1.0	2	2		
15	3A1970069	NIPPLE, GREASE	PT1/8"	1	1		
16	S446062212	PIN, SPRING	Φ6×22	2	2		
17	3A1896051	PIN, HANDLE STOP		1	1		
18	A1896209	COVER		1	1		
19	A1896204	ROD, LOWER LIFT		2	2		
20	A1896205	ROD, UPPER LIFT		1	1		
21	A1896202	LIFT ROD ASSY(LH)		1	1		

3- POINT LINKAGE- CHECK LINK(896)

FIG. 8-15

KEY NO.	PART NO.	PART NAME & DESCRIPTION		MODEL & Q'TY		APPLI. NO.	REMARK
				330HT	360HT		
1	A1896321	BRACKET, C/CHAIN(R)		1	1		
2	A1896322	BRACKET, C/CHAIN(L)		1	1		
3-6	A1896471	CHECK CHAIN ASSY	343-441	2	2		
3	A1896589	CHAIN(F)		2	2		
4	A1896597	TURN BUCKLE		2	2		
5	A1896536	CHAIN(R)		2	2		
6	S301160013	NUT, LOCK	M16X2.0	2	2		
7	3A1896081	PIN, LINK		2	2		
8	A1896333	BRACKET, SPRING		2	2		
9	S361140013	WASHER, SPRING	φ24.5×φ14.2×3.5	6	6		
10	S314140013	NUT, HEX	M14×1.25	2	2		
11	A1896539	SPRING, LOWER LINK		1	1		
12	S101143543	BOLT, HEX	M14×2.0x35	4	4		

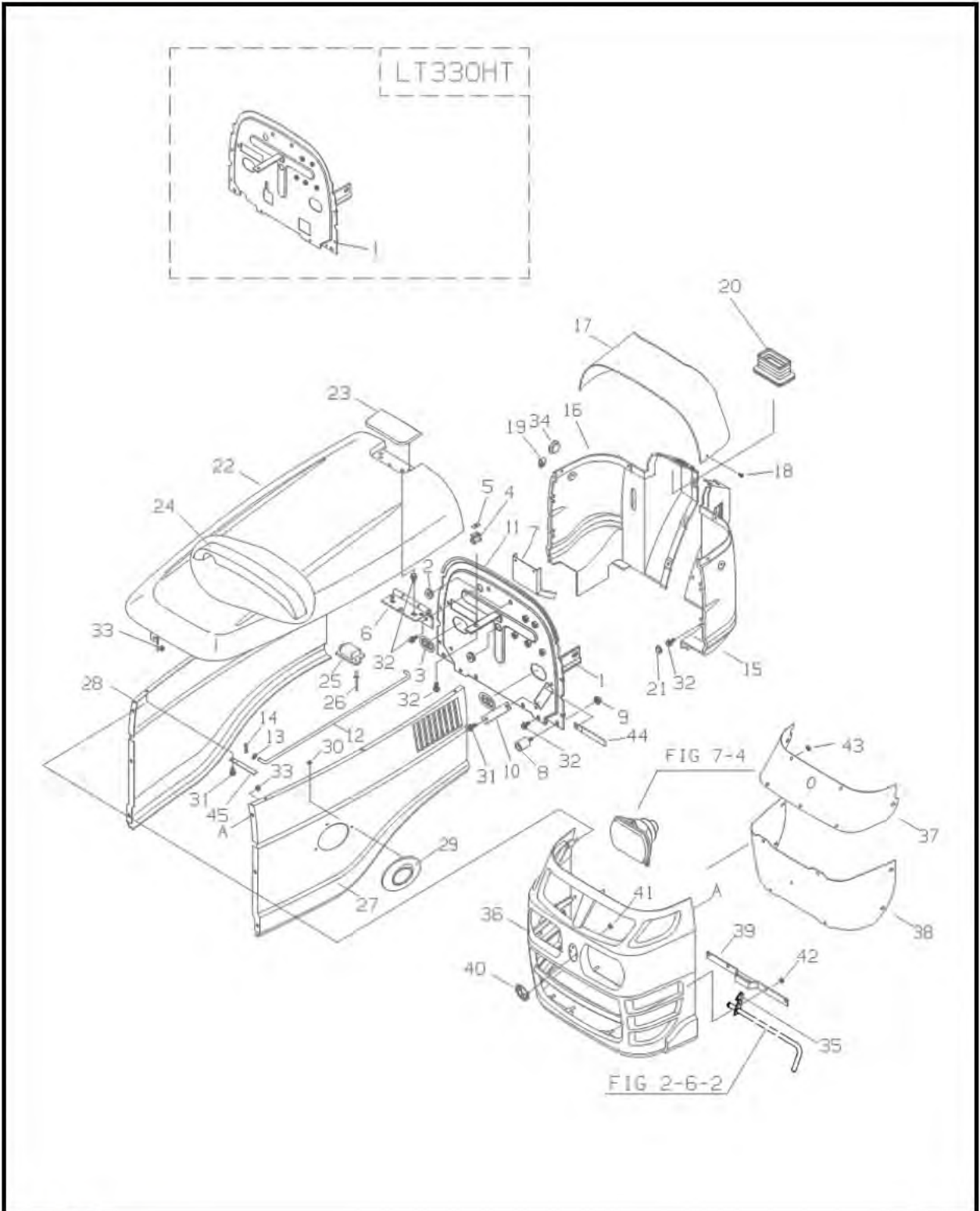
3- POINT LINKAGE- CHECK LINK(896)

FIG. 8-15

KEY NO.	PART NO.	PART NAME & DESCRIPTION		MODEL & Q'TY		APPLI. NO.	REMARK
				330HT	360HT		
1	A1896321	BRACKET, C/CHAIN(R)		1	1		
2	A1896322	BRACKET, C/CHAIN(L)		1	1		
3-6	A1896345	CHECK CHAIN ASSY	370-476	2	2		
3	A1896346	CHAIN(F)		2	2		
4	A1896348	TURN BUCKLE		2	2		
5	A1896347	CHAIN(R)		2	2		
6	A1896349	NUT, LOCK	M14×1.5(LH)	2	2		
7	3A1896081	PIN, CLEVIS		2	2		
8	A1896333	BRACKET, SPRING		2	2		
9	S361140013	WASHER, SPRING	φ14.2×φ24.5×3.5t	6	6		
10	S314140013	NUT, HEX	M14×1.25	2	2		
11	A1896067	SPRING, LOWER LINK		1	1		
12	S101143543	BOLT, HEX	M14×2.0x35L	4	4		

HOOD(830)

FIG. 9-1B



HOOD(830)

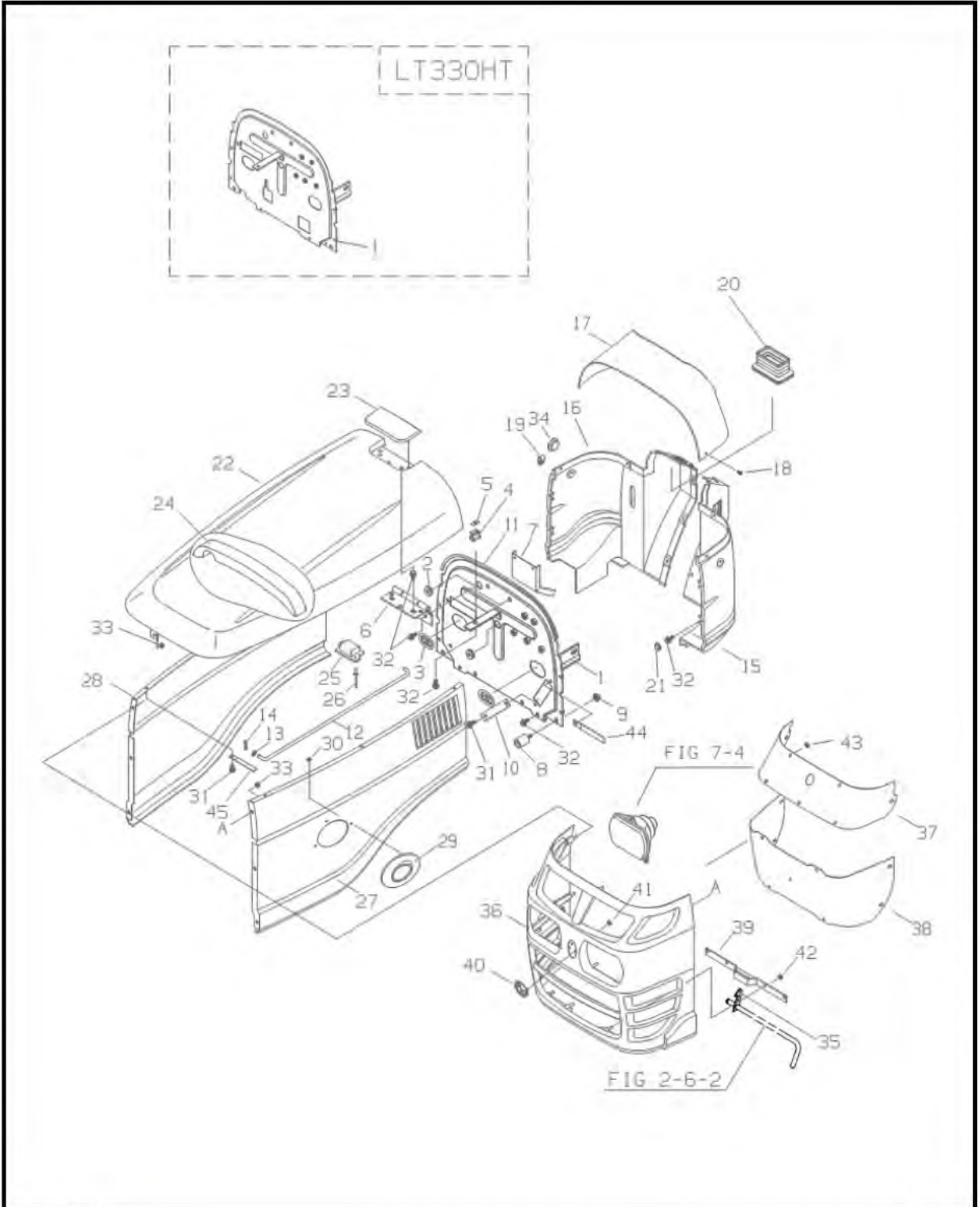
FIG. 9-1B

AG

KEY NO.	PART NO.	PART NAME & DESCRIPTION	MODEL & QTY		APPLI. NO.	REMARK
			330HT	360HT		
1	A1830306	PLATE, HEAT INTERCEPT	*	1		
	A1830451	PLATE, HEAT INTERCEPT	1	*		
2	A0720034	GROMMET	2	2		
3	A1970210	GROMMET	2	2		
4	A0690218	SPRING	1	1		
5	A7200107	BRACKET, SPRING	1	1		
6	A1830258	HINGE	1	1		
7	A1830484	BRACKET, HINGE	1	1		
8	A1830288	STOPPER, RUBBER	2	2		
9	S345080013	NUT, FLANGE B-TY	M8x1.25	2	2	
10	A1830307	COVER	*	1		
11	A1970269	WEATHER STRIP	1	1		
12	A1830284	ROD, UPPER COVER	1	1		
13	S363080013	WASHER, PLN. S-RD	Φ8.4x15.5x1.6t	1	1	
14	S443080013	PIN, SNAP A-TY	Φ8x27.7	1	1	
15	A1830440	PANEL, BODY(LH)	1	1		
16	A1830441	PANEL, BODY(RH)	1	1		
17	A1830220	PANEL, BODY(UPPER)	1	1		
18	A1830417	SCREW, TP. CRS, CSNK.	9	9		
19	A1970279	PLATE, LOCK	7	7		
20	A1830252	COVER, STEERING	1	1		
21	A1830283	CAP, BOLT	4	4		
22	A1830605	HOOD, BONNET	GREEN	1	1	
23	A1830257	COVER, HINGE	1	1		
24	A1830289	SEAL, RADIATOR AIR	1	1		
25	A1830286	STOPPER, H/ SUPPORT	1	1		
26	S466321010	RIVET, BLIND	Φ3.2x10L	2	2	
27	A1830598	COVER, SIDE(LH)	GREEN	1	1	
28	A1830599	COVER, SIDE(RH)	GREEN	1	1	
29	A1830292	COVER, EXHAUST	1	1		
30	S345050013	NUT, FLANGE B-TY	M5x0.8	3	3	
31	S159061633	BOLT, HEX. W/WASHER	M6x1.0x16L	6	8	
32	S159082033	BOLT, HEX. W/WASHER	M8x1.25x20L	11	11	
33	S345060013	NUT, FLANGE B-TY	M6x1.0	7	7	
34	A1970303	CAP, RUBBER	2	2		
35	A1970304	BAND, RUBBER	1	1		
36~46	A1830602	GRILLE ASSY	GREEN	1	1	
36	A1830603	GRILLE	GREEN	1	1	
37	A1830407	NET, GRILLE(UPPER)	1	1		
38	A1830408	NET, GRILLE(LOWER)	1	1		

HOOD(830)

FIG. 9-1B



HOOD(830)

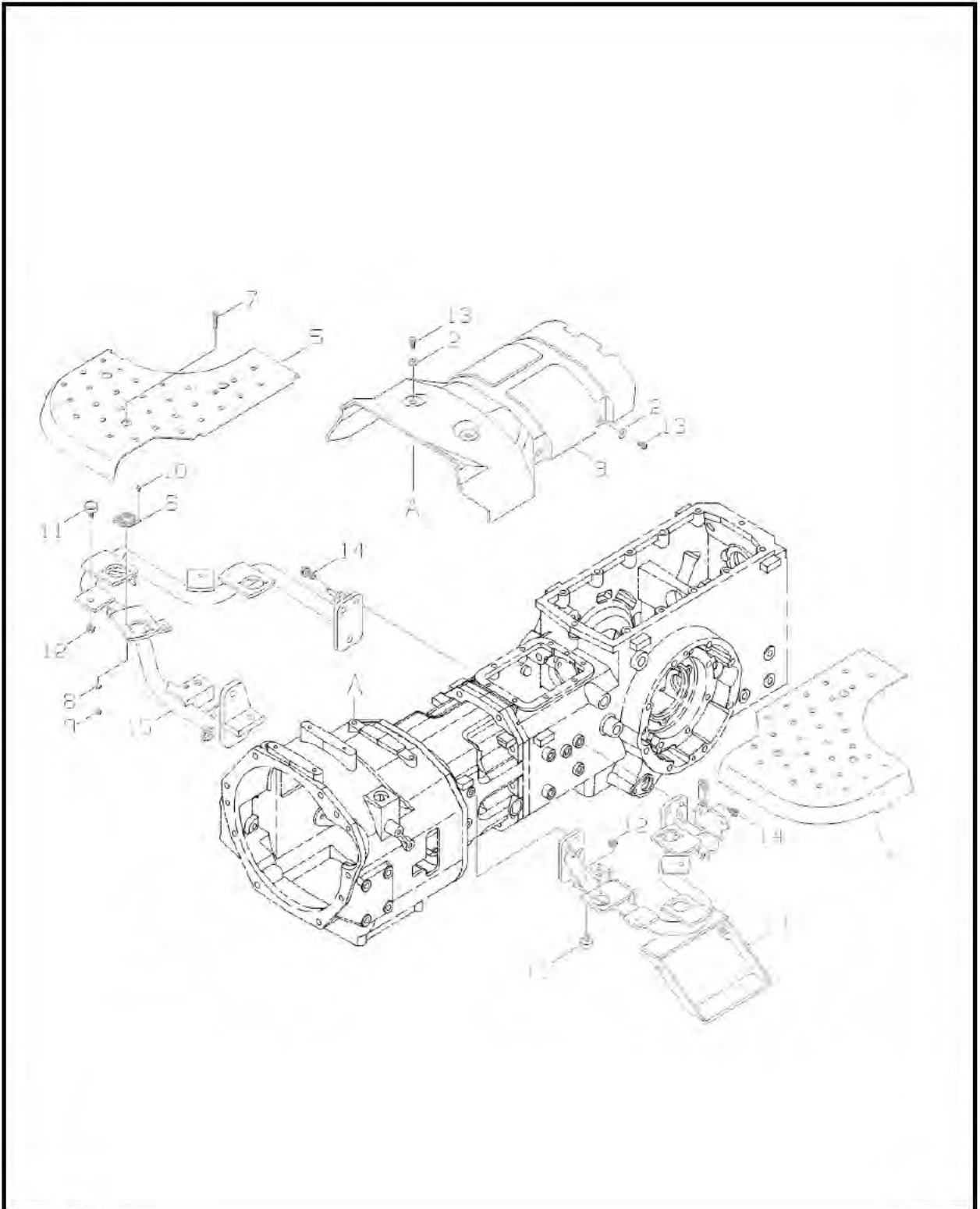
FIG. 9-1B

AG

KEY NO.	PART NO.	PART NAME & DESCRIPTION		MODEL & QTY		APPLI. NO.	REMARK
				330HT	360HT		
39	A1830421	HANGER		1	1		
40	A5002129	MARK, SYMBOL		1	1		
41	A0760137	NUT, SPEED		2	2		
42	A1970309	NUT, LOCK	M6x1.0	4	4		
43	A1970340	NUT, SPEED		16	16		
44	A0640103	CLAMP, RING		1	1		
45	A0640015	CLAMP, RING		3	3		

STEP(840)

FIG. 9-2B



STEP(840)

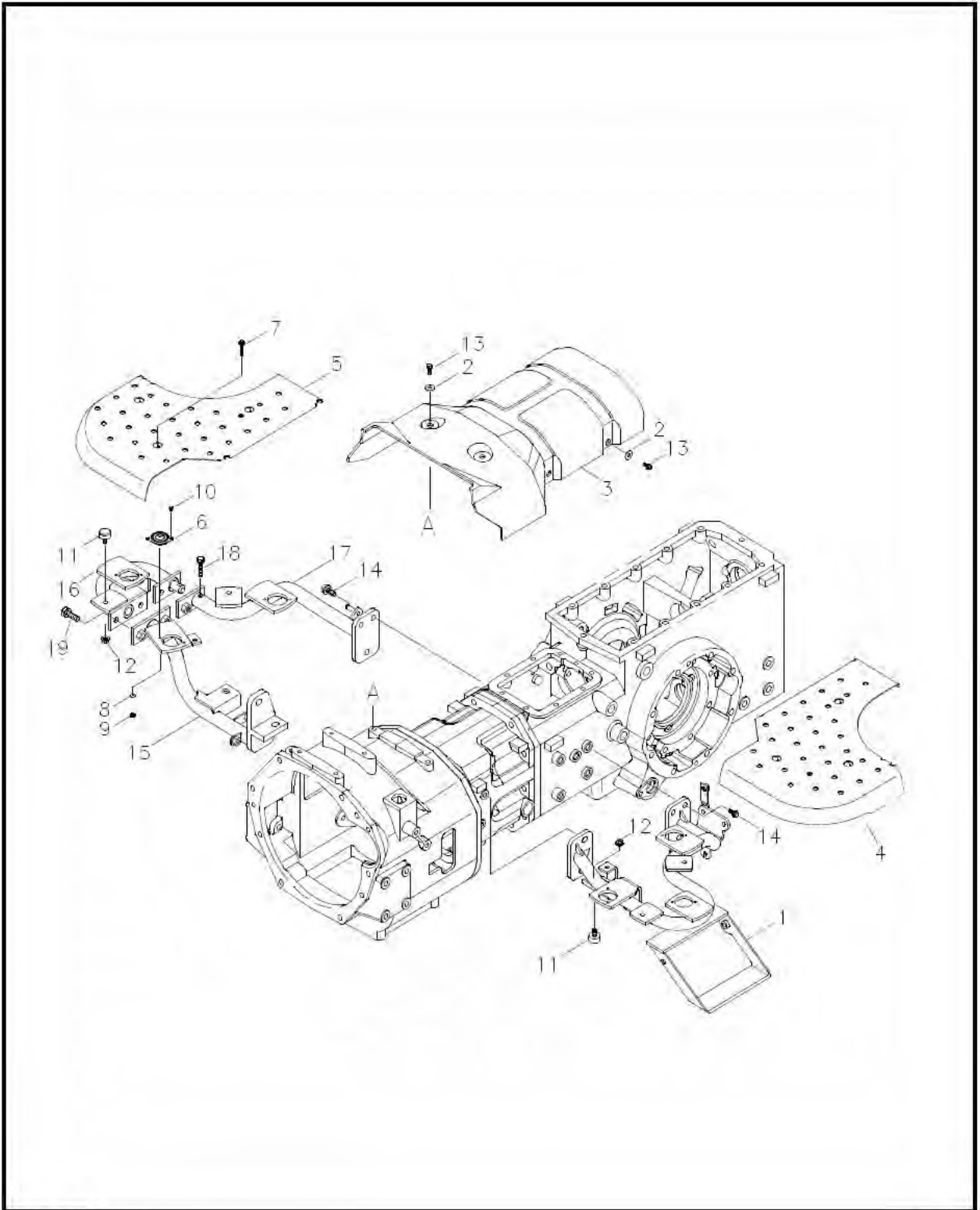
FIG. 9-2B

AG

KEY NO.	PART NO.	PART NAME & DESCRIPTION		MODEL & QTY		APPLI. NO.	REMARK
				330HT	360HT		
1	A1840159	SUPPORT, STEP(LH)		1	1		
2	S365102613	WASHER, PLN	Φ10.5xΦ26x2.5t	6	6		
3	A1840266	COVER, HST HOUSING	GREEN	1	1		
4	A1840267	STEP, LH	GREEN	1	1		
5	A1840268	STEP, RH	GREEN	1	1		
6	A1970367	MOUNT, SILENT	LORD 150DP-10	6	6		
7	S159063033	BOLT, HEX, W/WASHER	M6X1.0x30L	6	6		
8	S365062213	WASHER, PLAIN	Φ6.4xΦ22x2.0t	6	6		
9	S301060013	NUT, HEX. 2-TY	M6X1.0	6	6		
10	S227401611	SCREW,W/SP & PL.WASH.	M4X0.7	12	12		
11	A3260012	RUBBER		8	8		
12	S345080013	NUT, FLANGE	M8X1.25	8	8		
13	S154102033	BOLT, HEX, W/WASHER	M10X1.25x20L	6	6		
14	S154102533	BOLT, HEX, W/WASHER	M10X1.25	10	10		
15	A1840273	SUPPORT, STEP(RH)		1	1		

STEP(840)

FIG. 9-2B



STEP(840)

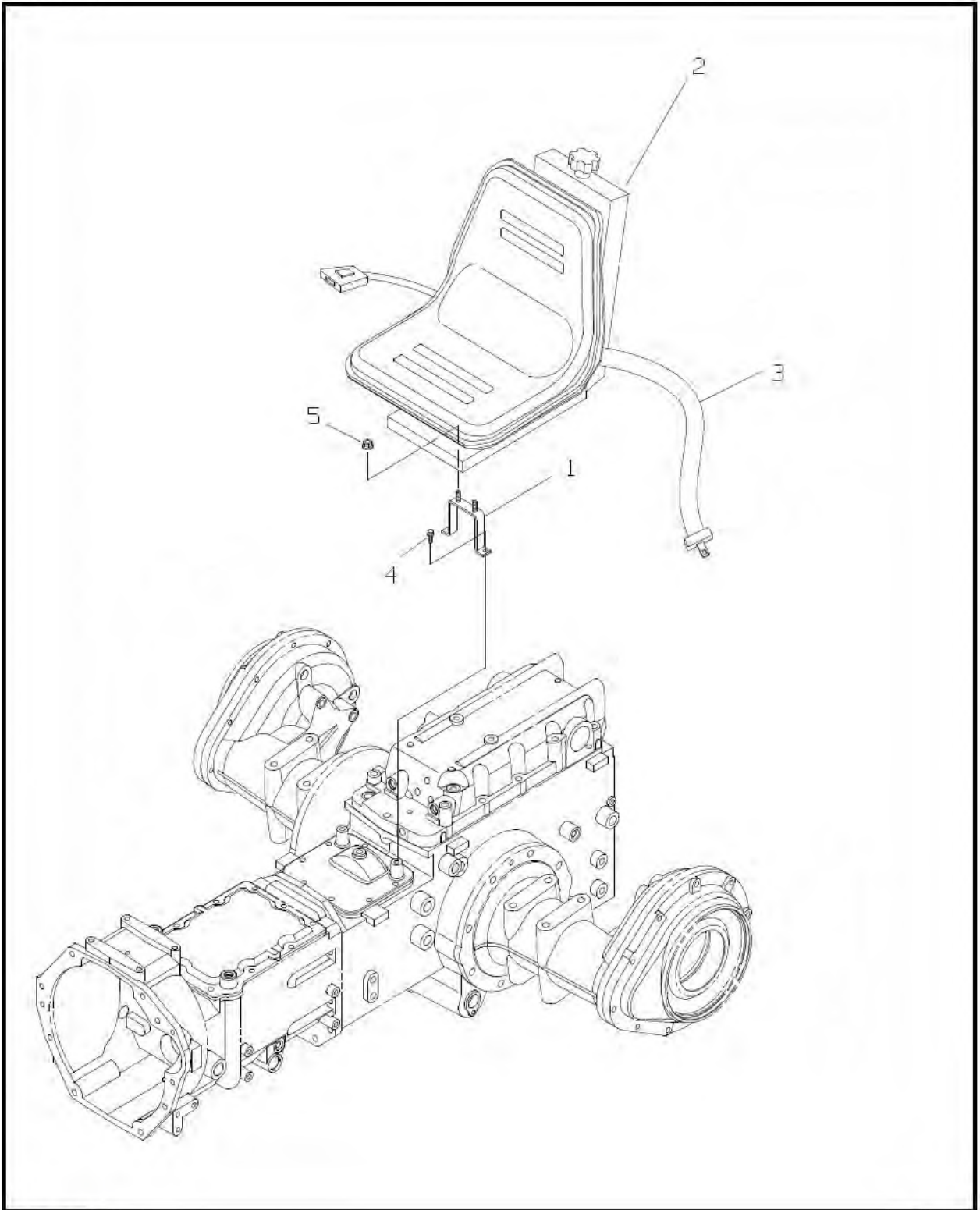
FIG. 9-2B

AG

KEY NO.	PART NO.	PART NAME & DESCRIPTION		MODEL & QTY		APPLI. NO.	REMARK
				330HT	360HT		
1	A1840159	SUPPORT, STEP(LH)		1	1		
2	S365102613	WASHER, PLN	Φ10.5xΦ26x2.5t	6	6		
3	A1840266	COVER, HST HOUSING	GREEN	1	1		
4	A1840267	STEP, LH	GREEN	1	1		
5	A1840268	STEP, RH	GREEN	1	1		
6	A1970367	MOUNT, SILENT	LORD 150DP-10	6	6		
7	S159063033	BOLT, HEX, W/WASHER	M6X1.0x30L	6	6		
8	S365062213	WASHER, PLAIN	Φ6.4xΦ22x2.0t	6	6		
9	S301060013	NUT, HEX. 2-TY	M6X1.0	6	6		
10	S227401611	SCREW,W/SP & PL.WASH.	M4X0.7	12	12		
11	A3260012	RUBBER		8	8		
12	S345080013	NUT, FLANGE	M8X1.25	8	8		
13	S154102033	BOLT, HEX, W/WASHER	M10X1.25x20L	6	6		
14	S154102533	BOLT, HEX, W/WASHER	M10X1.25	10	10		
15~19	A1840182	SUPPORT, STEP(RH)		1	1		
15	A1840183	PIPE 1, STEP SUPPORT		1	1		
16	A1840184	PIPE 2, STEP SUPPORT		1	1		
17	A1840185	PIPE 3, STEP SUPPORT		1	1		
18	S153083543	BOLT, HEX	M8x1.25x35L	1	1		
19	S154103033	BOLT, HEX	M10x1.25x30L	3	3		

SEAT ASSY(850)

FIG. 9-3



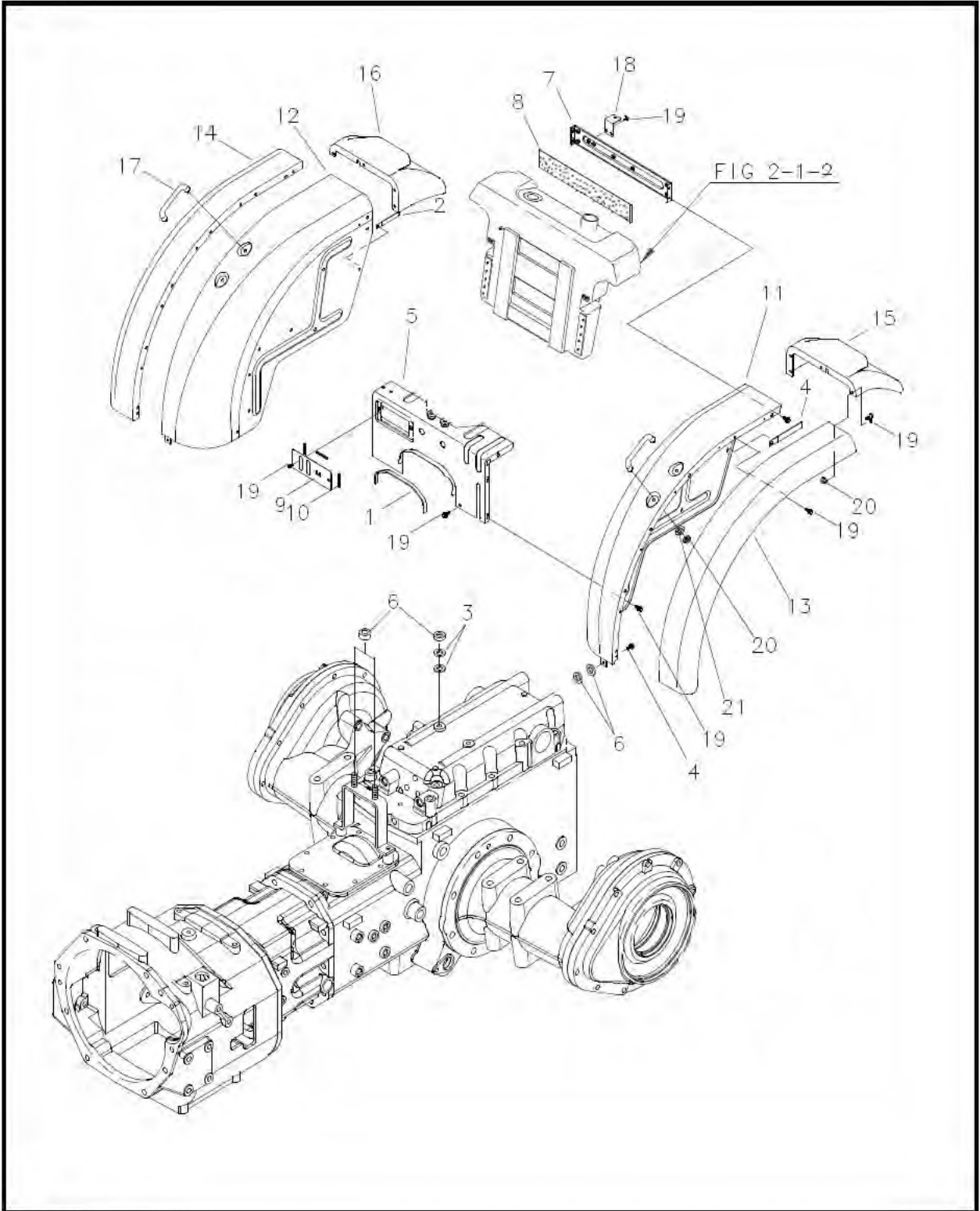
SEAT ASSY(850)

FIG. 9-3

KEY NO.	PART NO.	PART NAME & DESCRIPTION		MODEL & QTY		APPLI. NO.	REMARK
				330HT	360HT		
1	A1850078	BRACKET, SEAT		1	1		
2-3	A1850223	SEAT ASSY, W/BELT & SW		1	1		
2	A1850093	SEAT ASSY		1	1		
3	A1850094	SEAT BELT ASSY		1	1		
4	S156102533	BOLT, HEX. W/WASHER	M10x1.25x25L	2	2		
5	S346100013	NUT, FLANGE B-TY	M10x1.25	4	4		

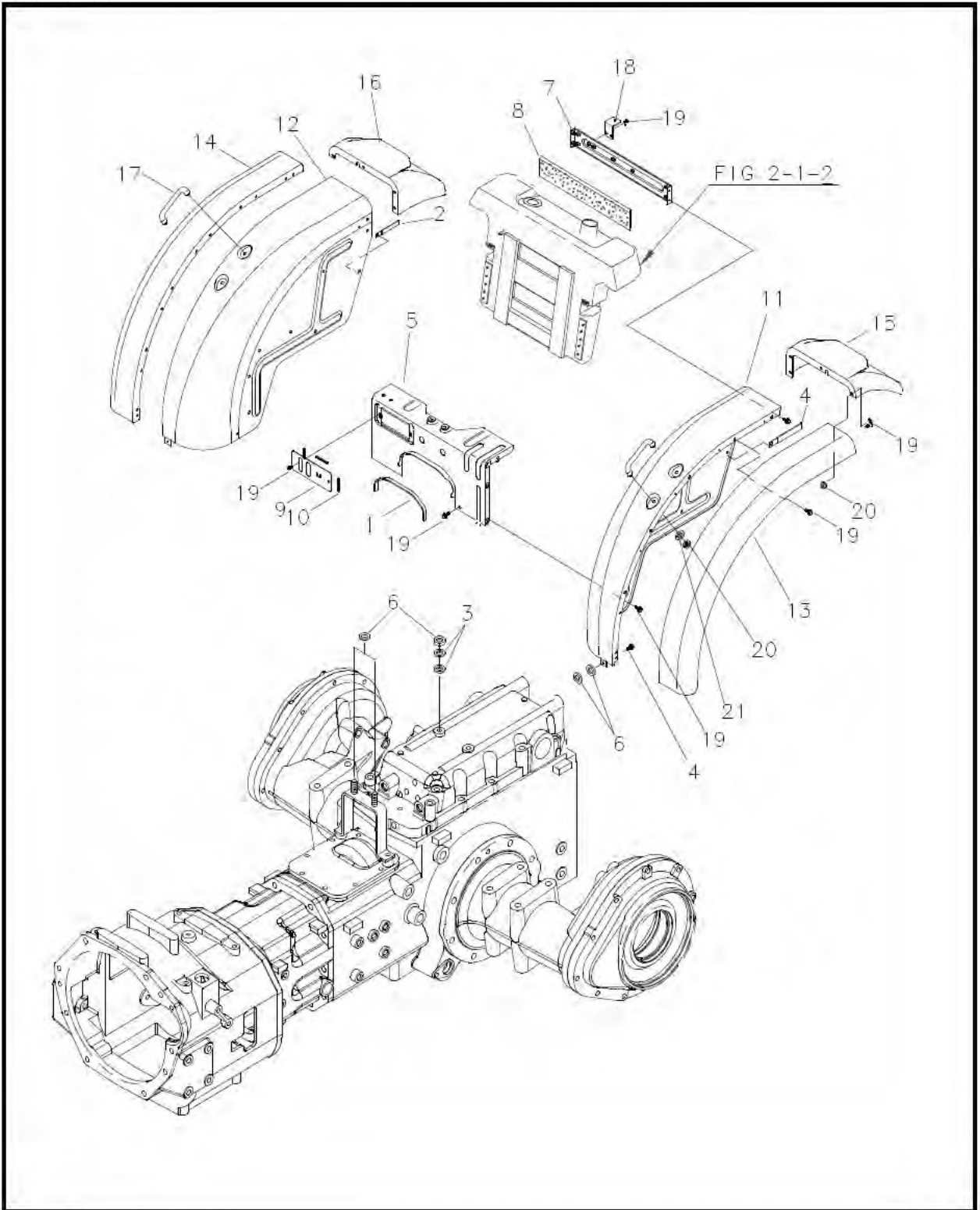
FENDER(870)

FIG. 9-4B



FENDER(870)

FIG. 9-4B



FENDER(870)

FIG. 9-4B

AG

KEY NO.	PART NO.	PART NAME & DESCRIPTION		MODEL & QTY		APPLI. NO.	REMARK
				330HT	360HT		
1	A1970368	SPONGE, COVER		1	1		
2	A0640015	CLAMP, RING		2	2		
3	S365103213	WASHER, PLN. L-RD	Φ10.5XΦ32x3.0t	4	4		
4	S159082533	BOLT, HEX	M8x1.25x25L	2	2		
5	A1870429	COVER, CENTER	GREEN	1	1		
6	A1840074	RUBBER, CUSHION		8	8		
7	A1870374	COVER, REAR		1	1		
8	A1870233	SPONGE		1	1		
9	A1870444	COVER ASSY	GREEN	1	1		
10	A1870234	SPONGE		4	4		
11	A1870418	FENDER, LH	GREEN	1	1		
12	A1870419	FENDER, RH	GREEN	1	1		
13	A1870211	EXTENTION, FENDER(L)		1	1		
14	A1870212	EXTENTION, FENDER(R)		1	1		
15	A1870213	EXTENTION, REAR(LH)		1	1		
16	A1870214	EXTENTION, REAR(RH)		1	1		
17	3A1870006	RAIL, HAND		2	2		
18	A1870375	BRACKET, LIGHT		1	1		
19	S159082033	BOLT, HEX W/WASHER	M8X1.25	39	39		
20	S345080013	NUT, FLANGE B-TY	M8X1.25	6	6		
21	S365082613	WASHER, PLN. L-RD	Φ8.4XΦ26x2.5t	4	4		

FENDER(870)

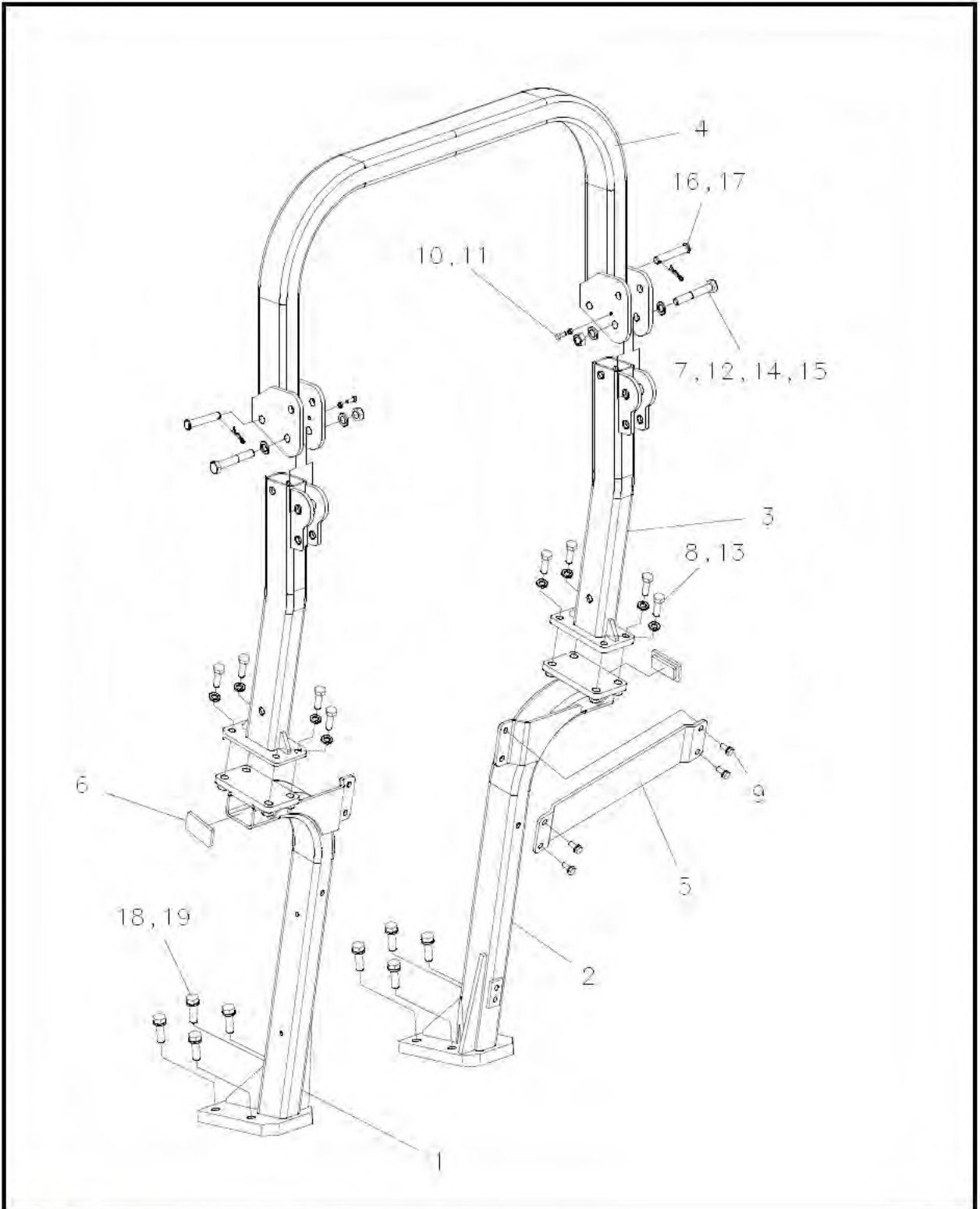
FIG. 9-4B

AG

KEY NO.	PART NO.	PART NAME & DESCRIPTION		MODEL & QTY		APPLI. NO.	REMARK
				330HT	360HT		
1	A1970368	SPONGE, COVER		1	1		
2	A0640015	CLAMP, RING		2	2		
3	S365103213	WASHER, PLN. L-RD	Φ10.5XΦ32x3.0t	4	4		
4	S159082533	BOLT, HEX	M8x1.25x25L	2	2		
5	A1870422	COVER, CENTER	GREEN	1	1		
6	A1840074	RUBBER, CUSHION		8	8		
7	A1870263	COVER, REAR		1	1		
8	A1870233	SPONGE		1	1		
9	A1870420	COVER	GREEN	1	1		
10	A1870234	SPONGE		4	4		
11	A1870418	FENDER, LH	GREEN	1	1		
12	A1870419	FENDER, RH	GREEN	1	1		
13	A1870211	EXTENTION, FENDER(L)		1	1		
14	A1870212	EXTENTION, FENDER(R)		1	1		
15	A1870213	EXTENTION, REAR(LH)		1	1		
16	A1870214	EXTENTION, REAR(RH)		1	1		
17	3A1870006	RAIL, HAND		2	2		
18	A1870264	BRACKET, LIGHT		1	1		
19	S159082033	BOLT, HEX W/WASHER	M8X1.25	39	39		
20	S345080013	NUT, FLANGE B-TY	M8X1.25	6	6		
21	S365082613	WASHER, PLN. L-RD	Φ8.4XΦ26x2.5t	4	4		

ROPS(880)

FIG. 9-5B



ROPS(880)

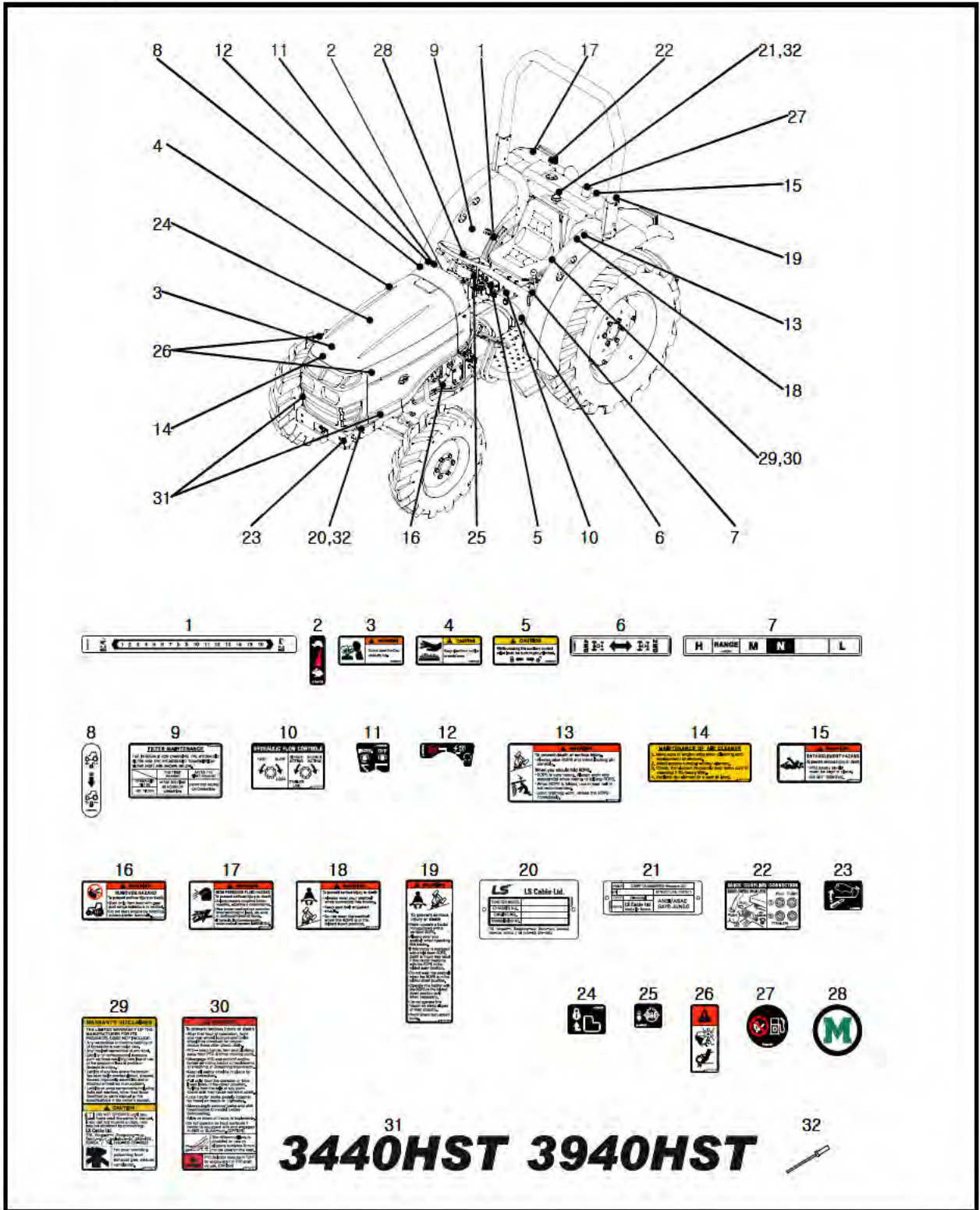
FIG. 9-5B

AG, VA

KEY NO.	PART NO.	PART NAME & DESCRIPTION	MODEL & QTY		APPLI. NO.	REMARK
			330HT	360HT		
1-17	A1880097	REAR ROPS ASSY	1	1		
1	A1880098	PILLAR LOWER,REAR ROPS LH	1	1		
2	A1880099	PILLAR LOWER,REAR ROPS RH	1	1		
3	A1880100	PILLAR MID,REAR ROPS	2	2		
4	A1880101	BEAM UPPER,REAR ROPS	1	1		
5	A1880102	PLATE,CONNECTOR	1	1		
6	A1880103	COVER,RUBBER	2	2		
7	S101149043	BOLT, HEX	M14x2.0x90L	2	2	
8	S105124553	BOLT, HEX	M12x1.25x45L	8	8	
9	S159082533	BOLT, HEX. W/WASHER	M8x1.25x25L	4	4	
10	S163062043	BOLT, HEX. F-THRD.	M6x1.0x20	2	2	
11	S301060043	NUT, HEX. 1-TY.	M6x1.0	2	2	
12	S301140043	NUT, HEX. 1-TY.	M14x2.0	2	2	
13	S361120013	WASHER, SPR. 1-TY.		8	8	
14	S361140013	WASHER, SPR. 1-TY.		2	2	
15	S363140013	WASHER, PLN. S-RD.		2	2	
16	S427148023	PIN HEAD B-TY		2	2	
17	S443140013	PIN, SNAP A-TY.		2	2	
18	S101145053	BOLT,HEX	M14x2.0x50L	8	8	
19	S361140013	WASHER, SPR. 1-TY.		8	8	

DECAL (980)

FIG. 10-1



DECAL(980)

FIG. 10-1

AG

KEY NO.	PART NO.	PART NAME & DESCRIPTION	MODEL & QTY		APPLI. NO.	REMARK
			330HT	360HT		
1	A1980720	DECAL, HYD. LEVER	1	1		
2	A1980722	DECAL, ACC. LEVER	1	1		
3	A1980734	DECAL, WARNING	1	1		
4	A1980736	DECAL, CAUTION	1	1		
5	A1980748	DECAL, CAUTION	1	1		
6	A1980751	DECAL, 4WD	1	1		
7	A1980752	DECAL, SUB CHANGE	1	1		
8	A1980753	DECAL, CRUISE CONRTOL	1	1		
9	A1980777	DECAL, FILTER MAINTENANCE	1	1		
10	A1980785	DECAL, FLOW CONTROL	1	1		
11	A1980829	DECAL, PTO SELECTOR	1	1		
12	A1980832	DECAL, KEY SWITCH	1	1		
13	A1980891	DECAL, ROPS WARNING	1	1		
14	A1980932	DECAL, AIR CLEANER	1	1		
15	A1980935	DECAL, PTO WARNING	1	1		
16	A1980936	DECAL, START WARNING	1	1		
17	A1980937	DECAL, HYD. OIL WARNING	1	1		
18	A1980940	DECAL, FRAME SEATBELT WARNING	1	1		
19	A1980941	DECAL, ROPS WARNING	1	1		
20	A1980943	NAME PLATE (ENG)	1	1		
21	A1980955	NAME PLATE, ROPS ASAE	1	1		
22	A1980963	DECAL, AUX. CONTROL	1	1		
23	A1980985	DECAL, HOOD OPEN	1	1		
24	A1980986	DECAL, HOOK ROD	1	1		
25	A1980987	DECAL, DIFF LOCK	1	1		
26	A1980999	DECAL, FAN/BELT WARNING	2	2		
27	A1981000	DECAL, FUEL	1	1		
28	A1981038	DECAL, MONTANA EMBLEM (HANDLE)	1	1		
29	A1981075	DECAL, WARRANTY	1	1		
30	A1981076	DECAL, DRIVER CAUTION (E)	1	1		
31	A1981164	DECAL, MODEL NAME (3440HST)	2	*		
	A1981165	DECAL, MODEL NAME (3940HST)	*	2		
32	S466321010	RIVET, BLIND	4	4		